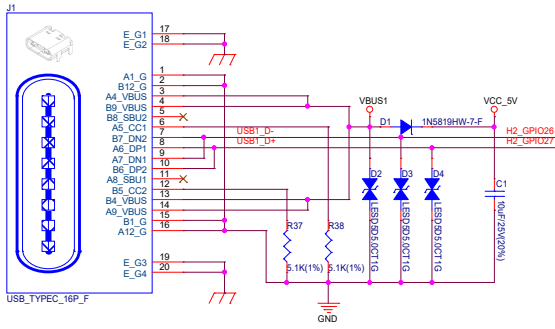
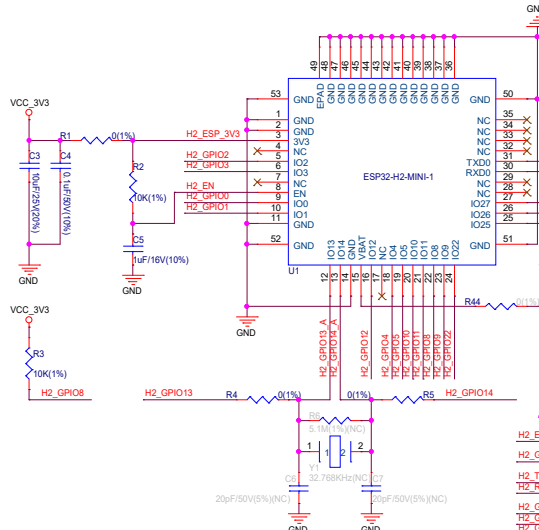


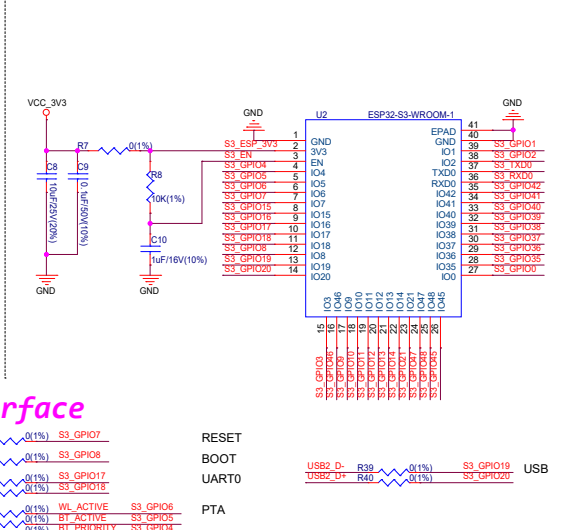
USB1 for ESP32-H2



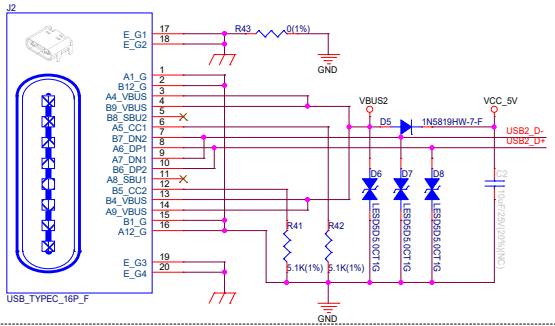
ESP32-H2-MINI-1



ESP32-S3-WROOM-1



USB2 for ESP32-S3

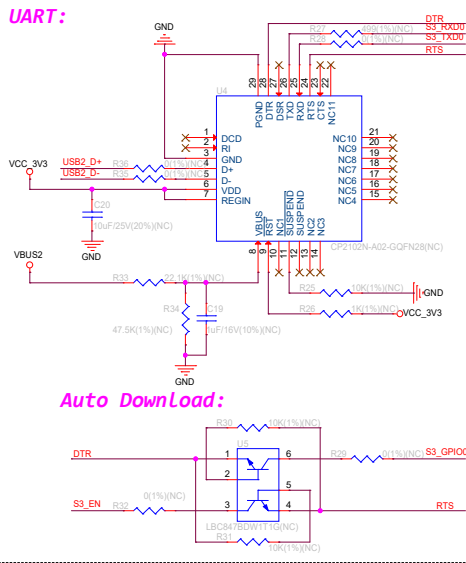


Interface

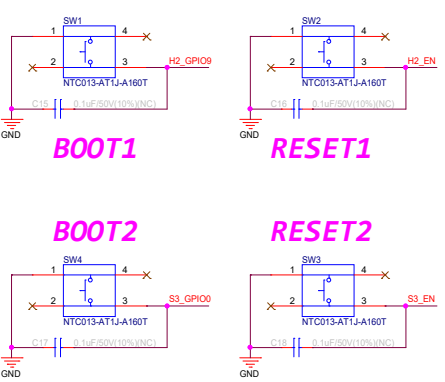
H2_EN	R14	0(1%)	S3_GPIO7
H2_GPIO9	R15	0(1%)	S3_GPIO8
H2_TXD0	R16	0(1%)	S3_GPIO7
H2_RXD0	R17	0(1%)	S3_GPIO18
H2_GPIO2	R18	0(1%)	WL_ACTIVE S3_GPIO8
H2_GPIO4	R19	0(1%)	BT_ACTIVE S3_GPIO5
H2_GPIO5	R20	0(1%)	BT_PRIORITY S3_GPIO4
H2_GPIO2	R21	0(1%)	SPI_CS S3_GPIO10
H2_GPIO3	R22	0(1%)	SPI_MOSI S3_GPIO11
H2_GPIO9	R23	0(1%)	SPI_CLK S3_GPIO17
H2_GPIO1	R24	0(1%)	SPI_MISO S3_GPIO13

RESET	U2	S3_GPIO19	USB
BOOT	U2	S3_GPIO20	USB
UART0	U2	S3_GPIO19	USB
UART0	U2	S3_GPIO20	USB
PTA	U2	S3_GPIO19	USB
PTA	U2	S3_GPIO20	USB
SPI	U2	S3_GPIO19	USB
SPI	U2	S3_GPIO20	USB

For ESP32-S3 (NC)

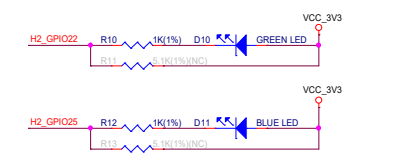


Buttons For ESP32-H2

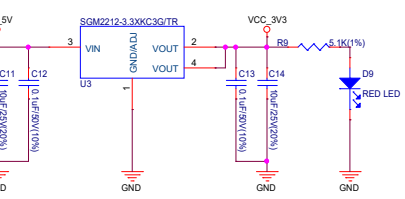


NC: No component.
For ESP32-S3

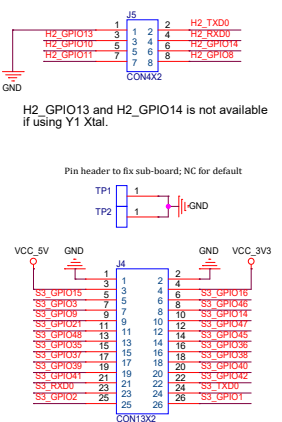
LEDs for ESP32-H2 (Option)



Power Regulator



Pin Header For ESP32-H2



S3_GPIO35 and S3_GPIO36 are not available for ESP32-S3-WROOM-1-N8R8 and ESP32-S3-WROOM-1-N16R8.

For ESP32-S3