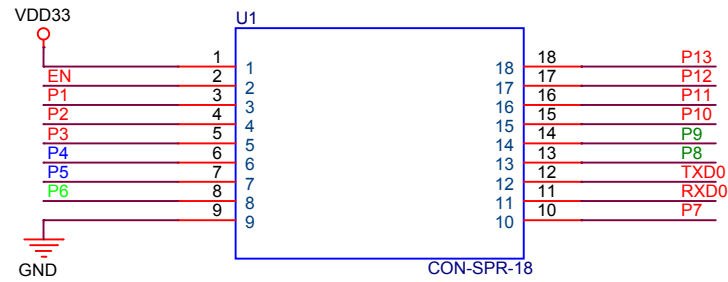


Module:

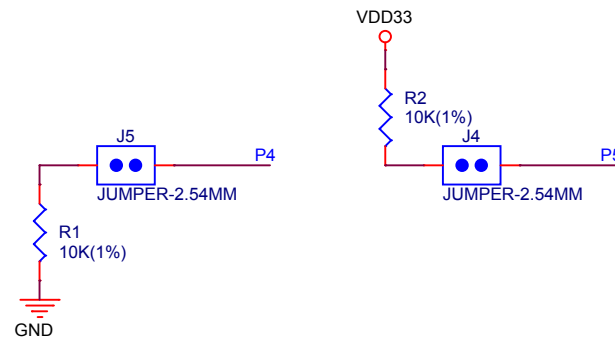


P4 is IO15 for ESP8266.

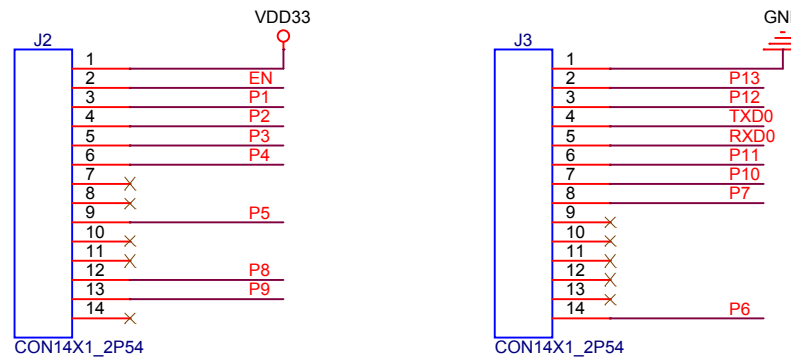
P5 is IO2 for ESP8266, and is IO8 for C3, ESP8684.

P6 is IO0 for ESP8266, and is IO9 for C3, ESP8684.

P8 and P9 are USB for C3.



Pin Header:



ESPRESSIF			
乐鑫信息科技(上海)股份有限公司			
Title			
ESP-Module-Prog-SUB-02			
Size	Page Name	Rev	Confidential and Proprietary
A4	<ESP-Module-Prog-SUB-02>	1.0	
Date:	Tuesday, December 13, 2022	Sheet	1 of 1