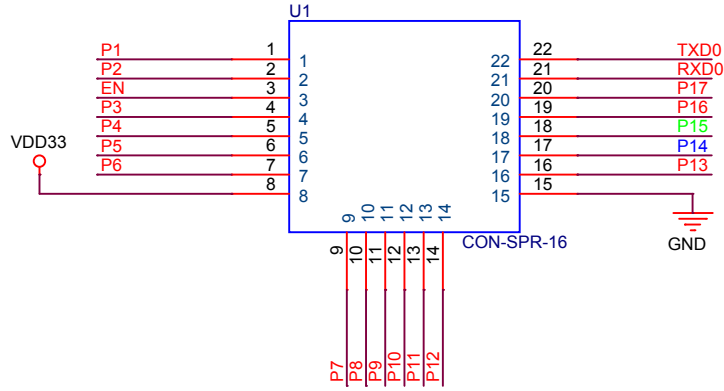
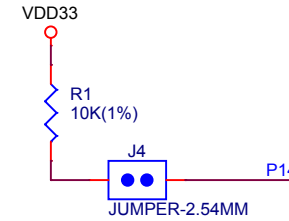


Module:

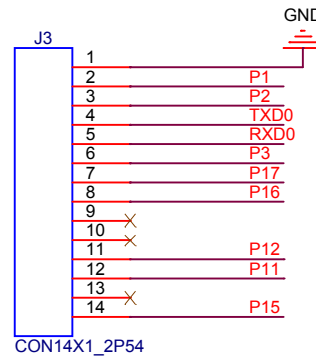
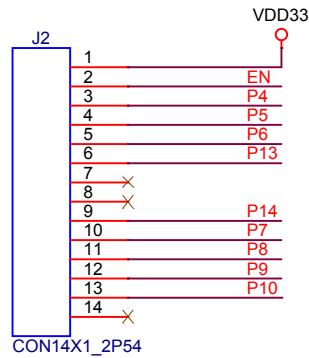


P14 is IO8 for ESP8684.

P15 is IO9 for ESP8684.



Pin Header:



ESPRESSIF			
乐鑫信息科技(上海)股份有限公司			
Title			
ESP-Module-Prog-SUB-01&04			
Size	Page Name	Rev	Confidential and Proprietary
A4	<ESP-Module-Prog-SUB-01&04>	1.0	
Date:	Wednesday, March 08, 2023	Sheet	1 of 1