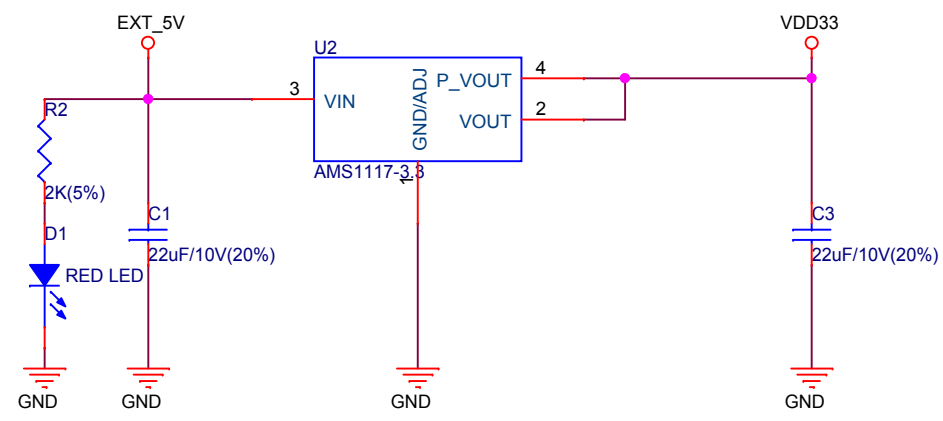
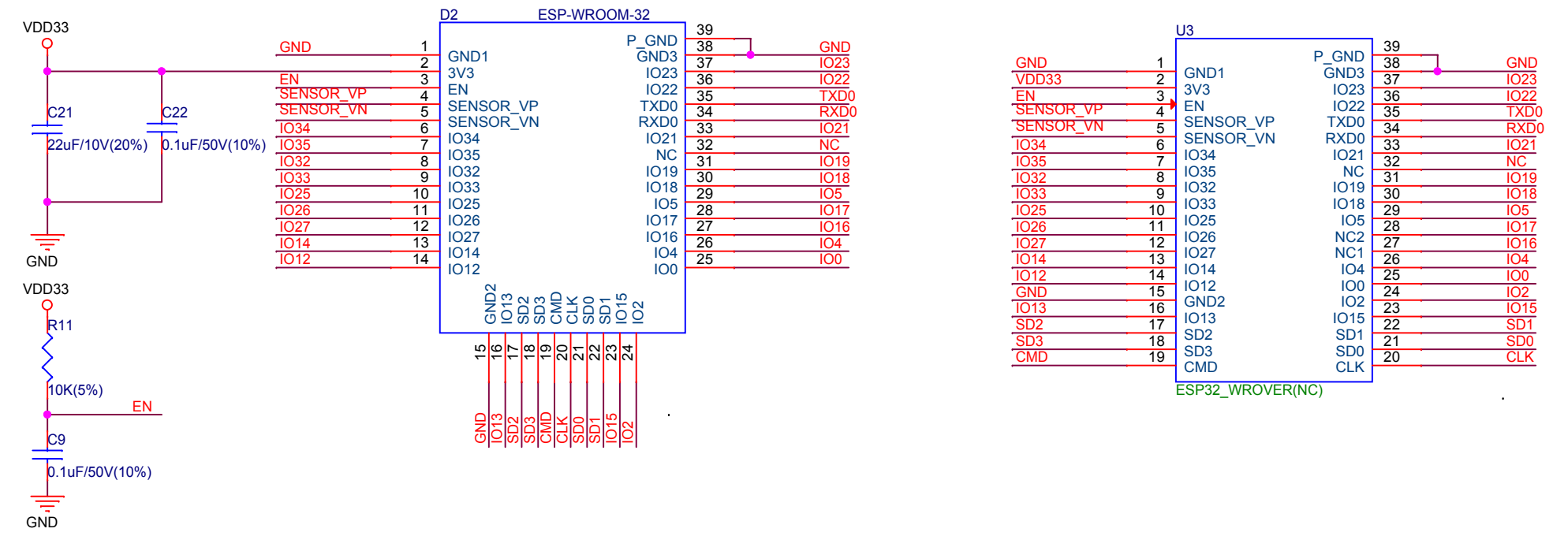


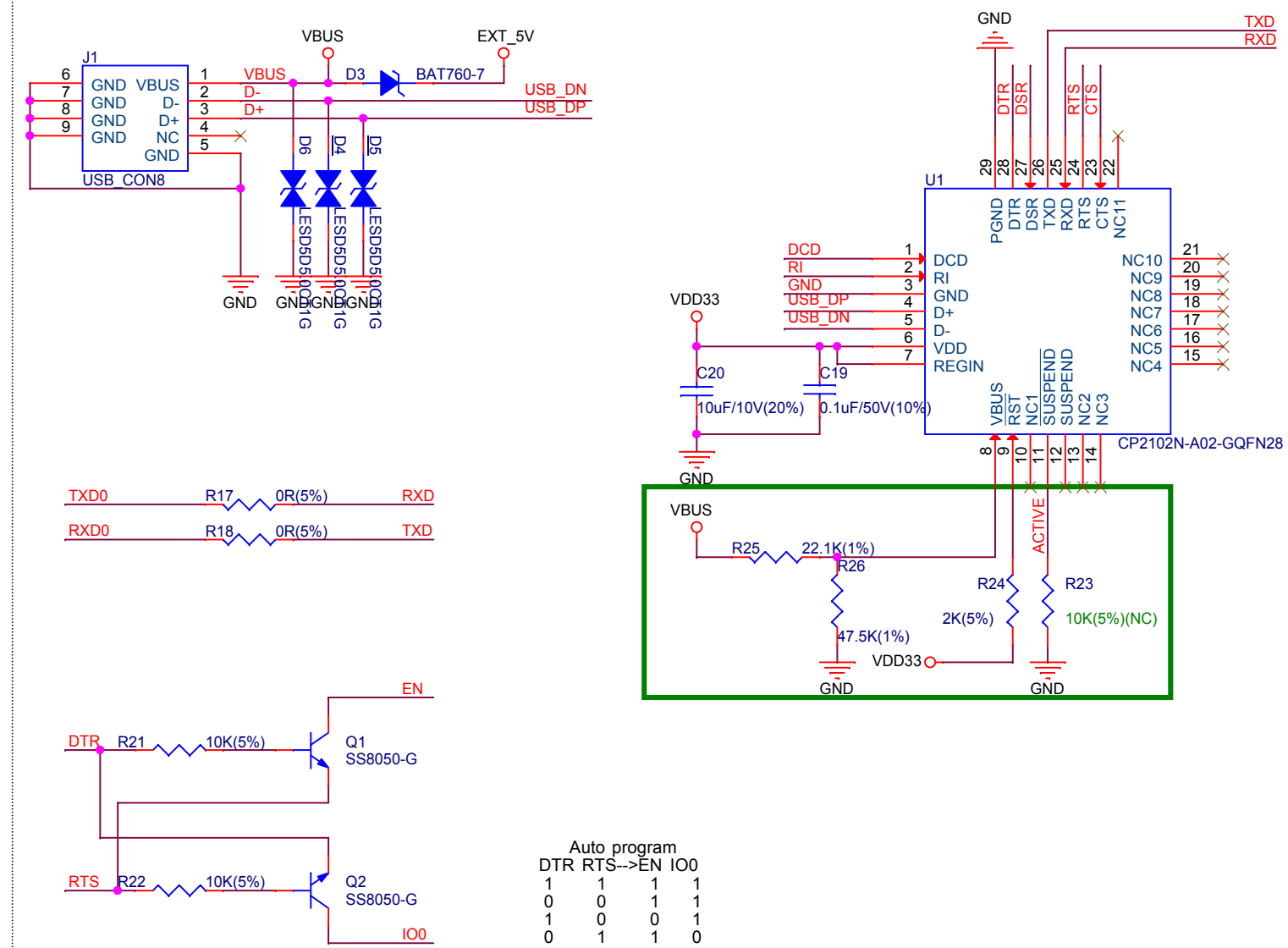
Power Supply



ESP32 Module



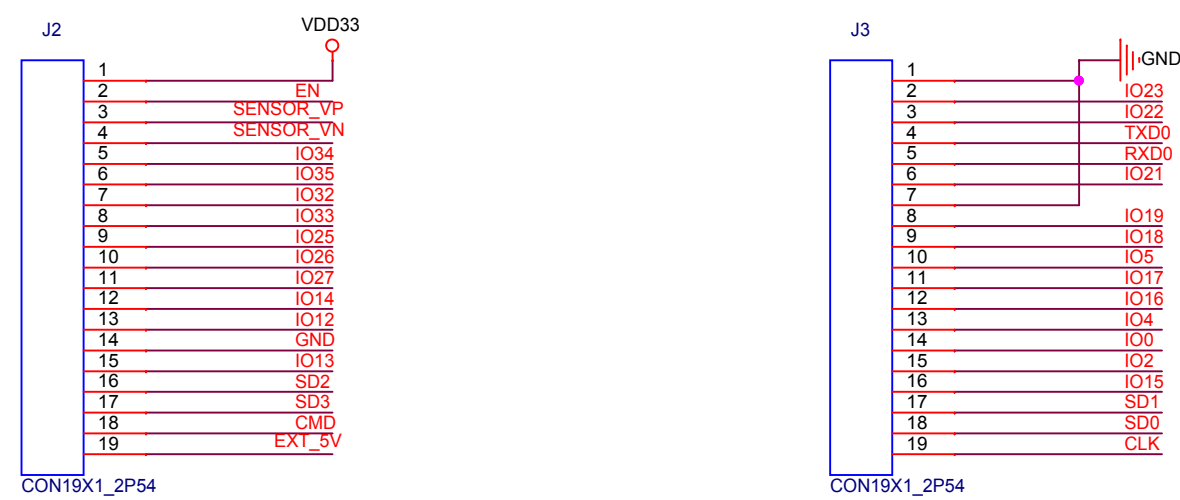
Micro USB 5V&USB-UART



SWITCH BUTTON



Connector



ESPRESSIF
乐鑫信息科技(上海)有限公司

Title		
ESP32_DevKitc_V4		
Size	Document Number	Rev
C	<Doc>	V4
Date:	Tuesday, February 25, 2020	Sheet 1 of 1