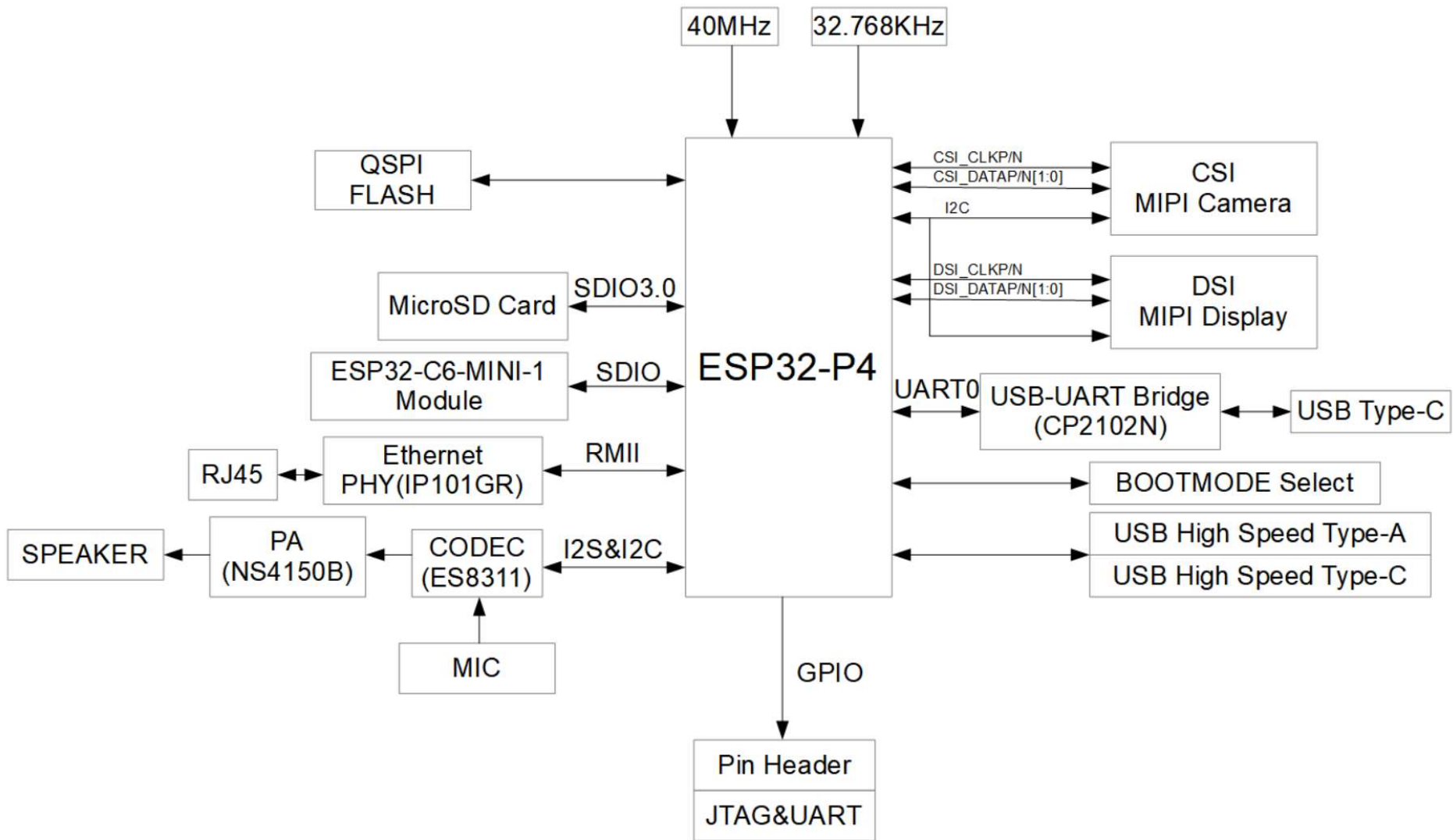
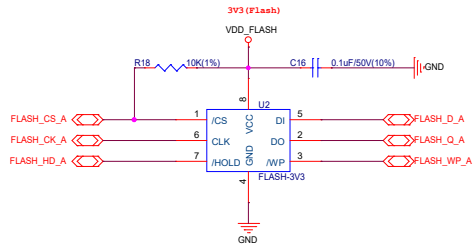


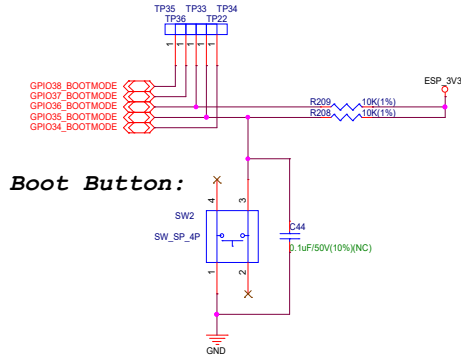
Design Block:



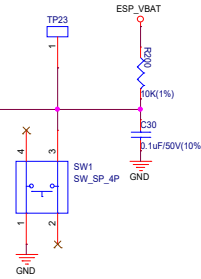
FLASH:



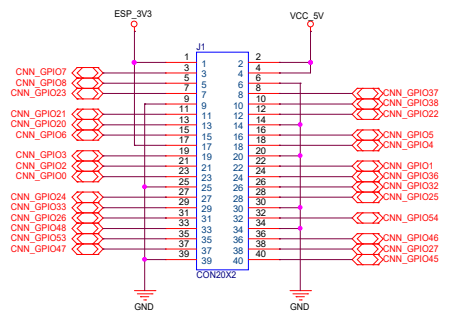
Boot Strapping Pins:



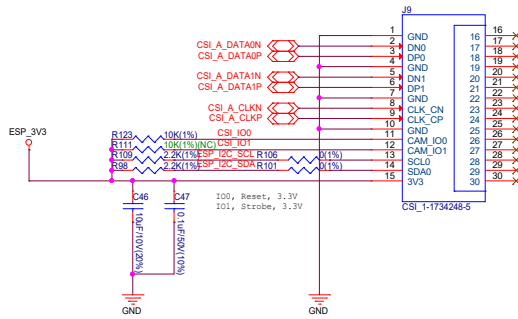
Reset Button:



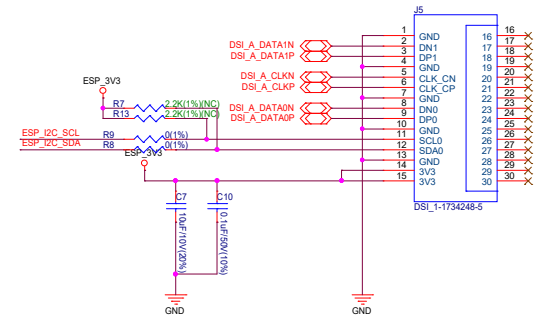
Pin Header For GPIOs:



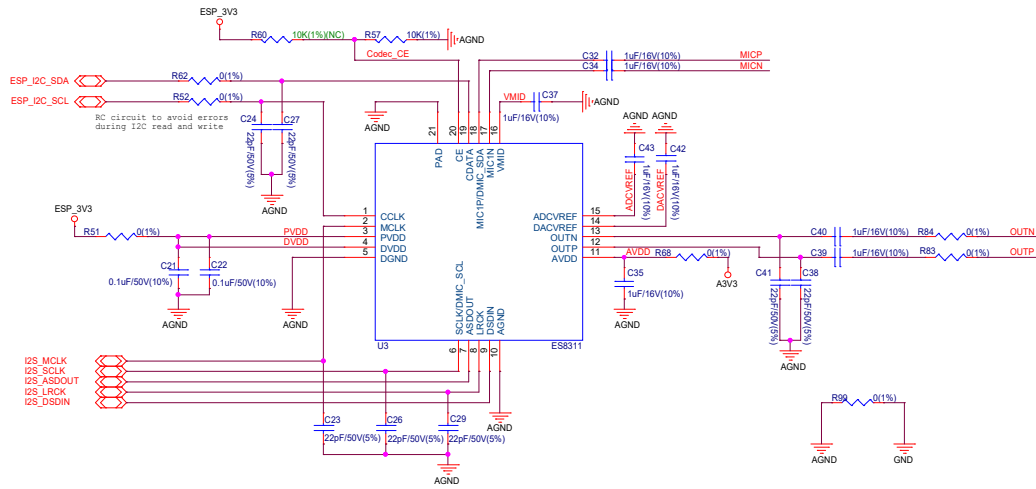
CSI Connector:



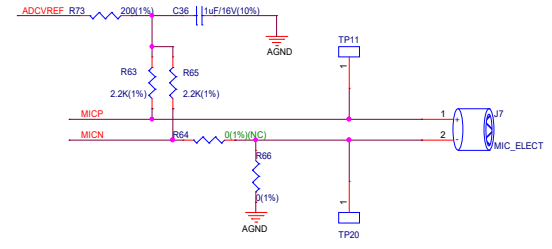
DSI Connector:



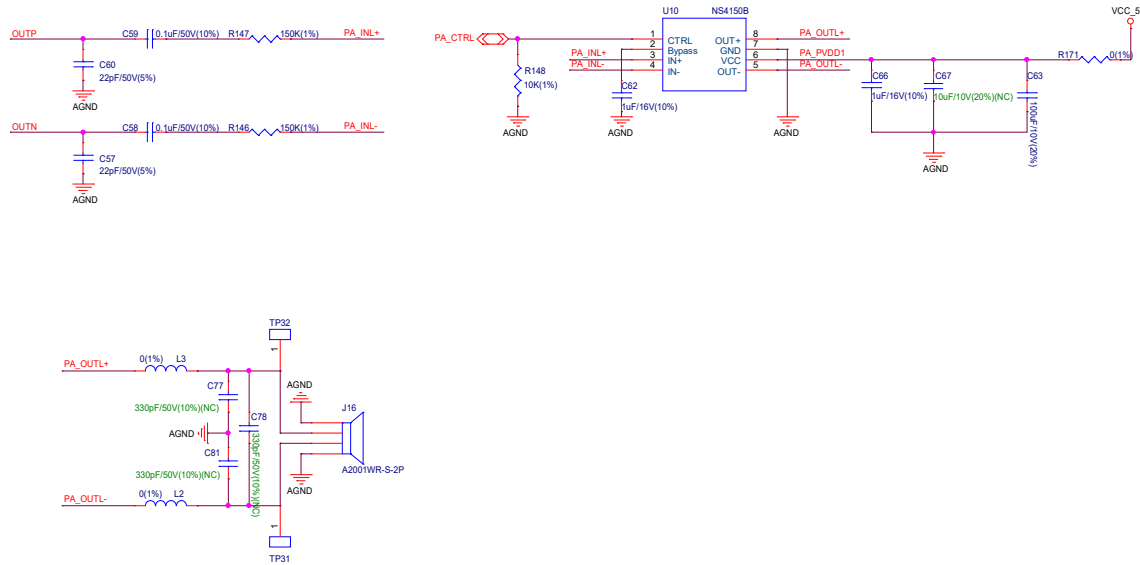
Codec :



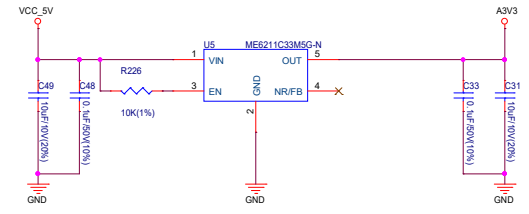
MIC :



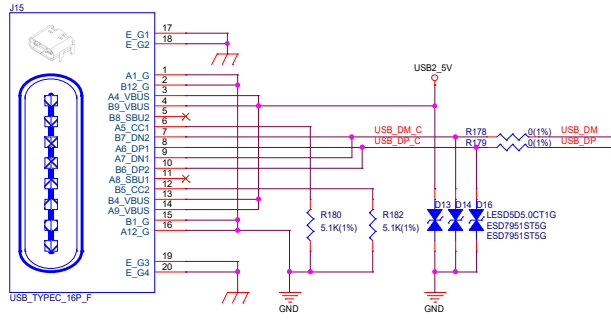
PA&SPEAKER :



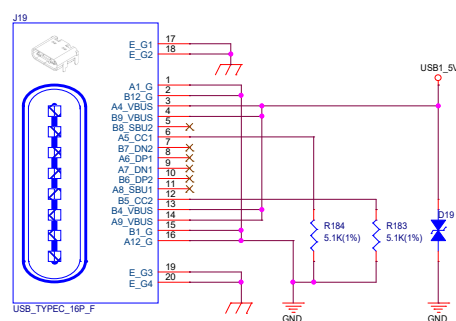
3.3V LDO For AVDD :



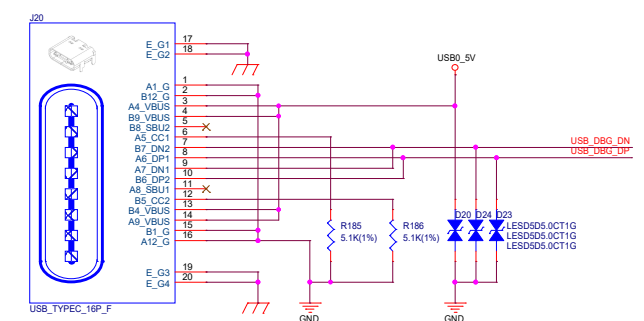
USB High Speed & Power in:



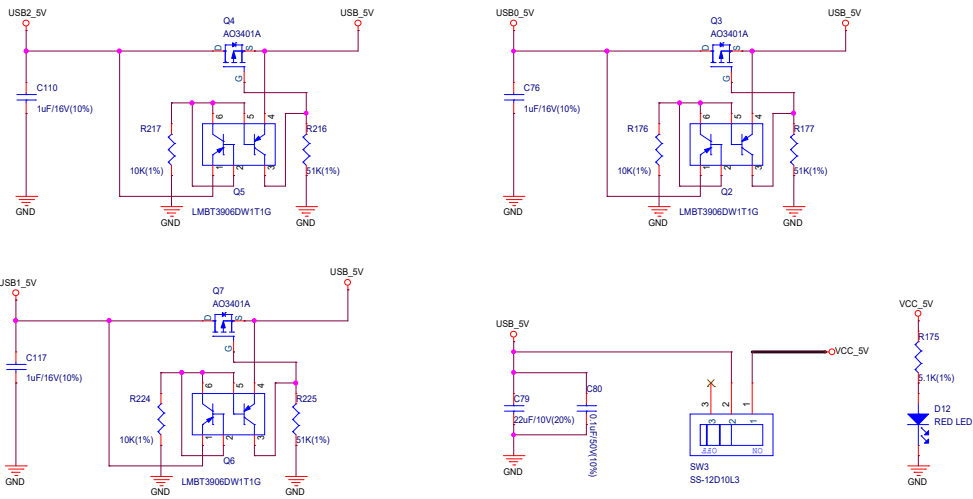
USB Power in:



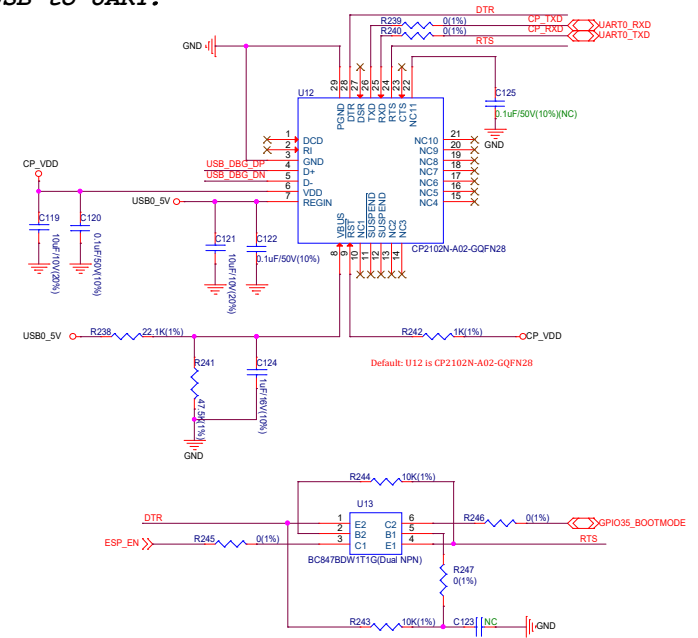
USB to UART & Power in:



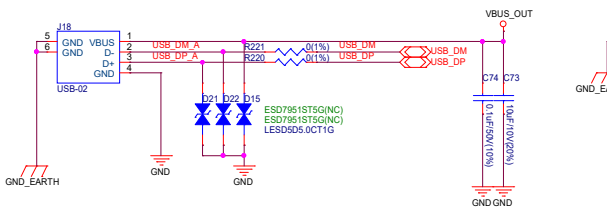
Ideal Diodes:



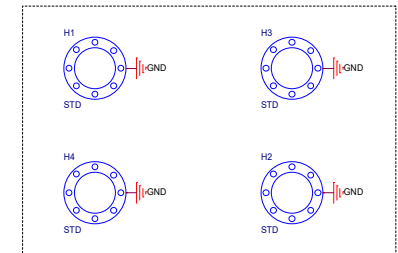
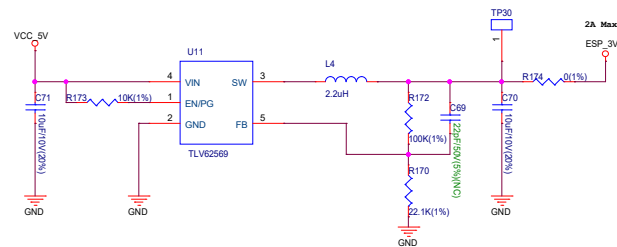
USB to UART:



USB High Speed Host:



3V3 DC-DC:



ESPRESSIF

乐鑫信息科技(上海)股份有限公司

Title: ESP32-P4_FUNCTION_EV_BOARD

Size	Page Name	Rev	Proprietary
C	05_Ethernet_SDMMC_WIFI	1.4	
Date:	Friday, August 16, 2024	Sheet	6 of 6