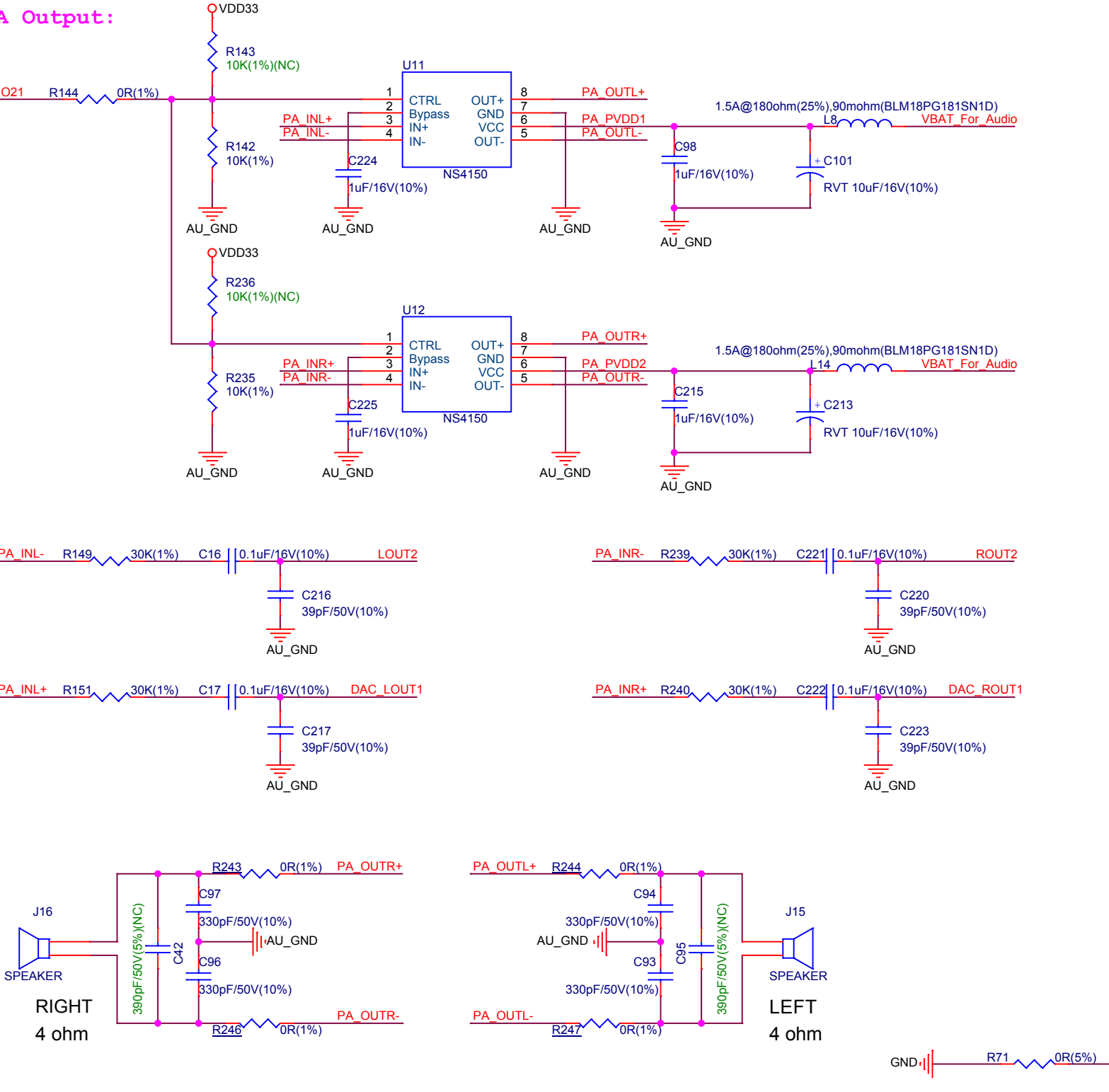
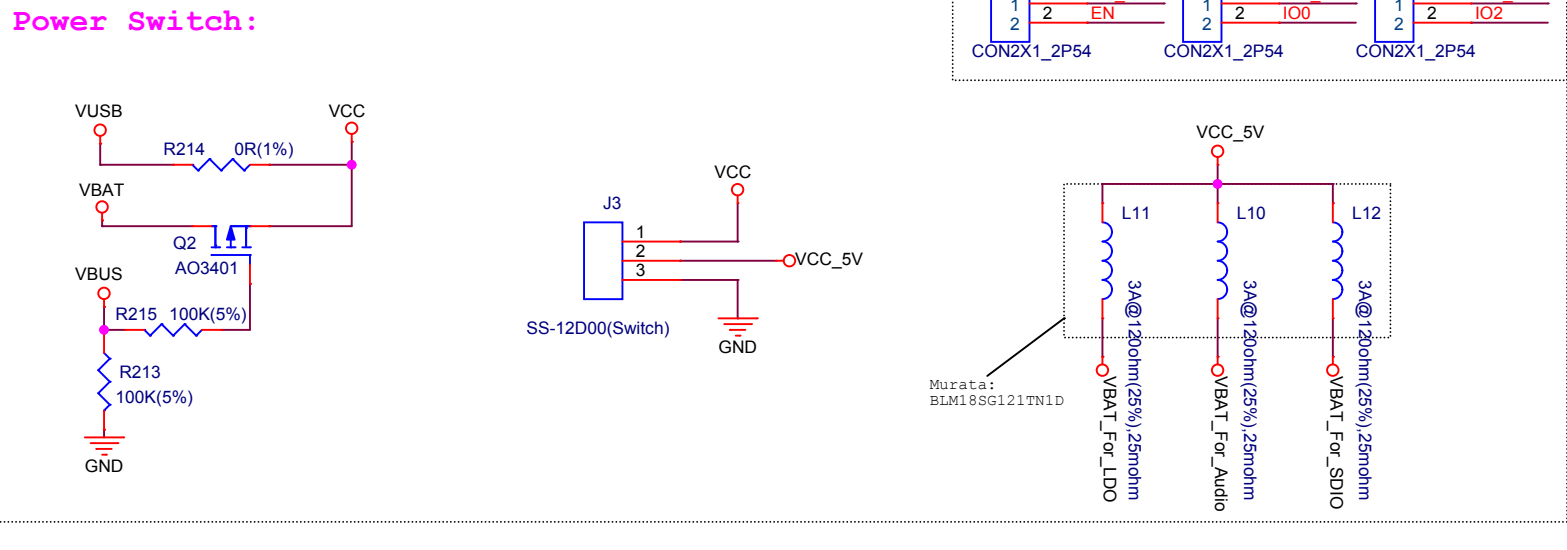
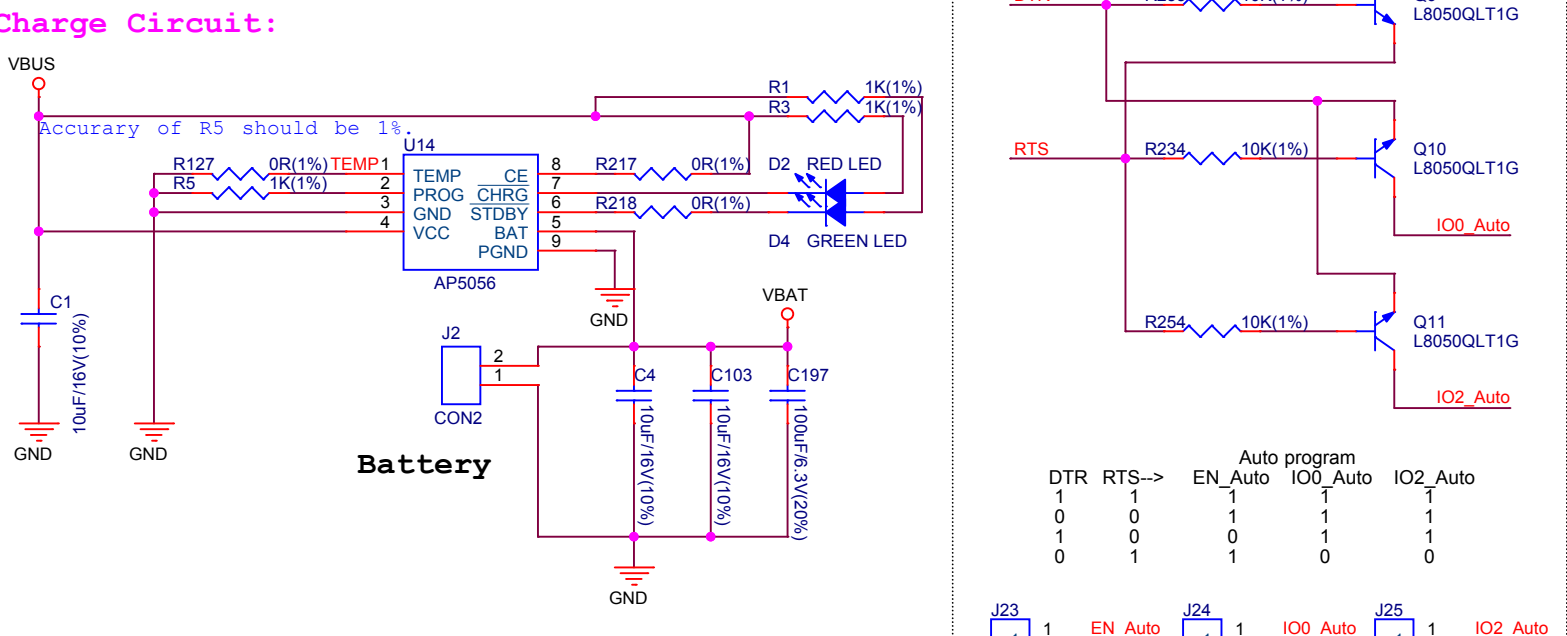
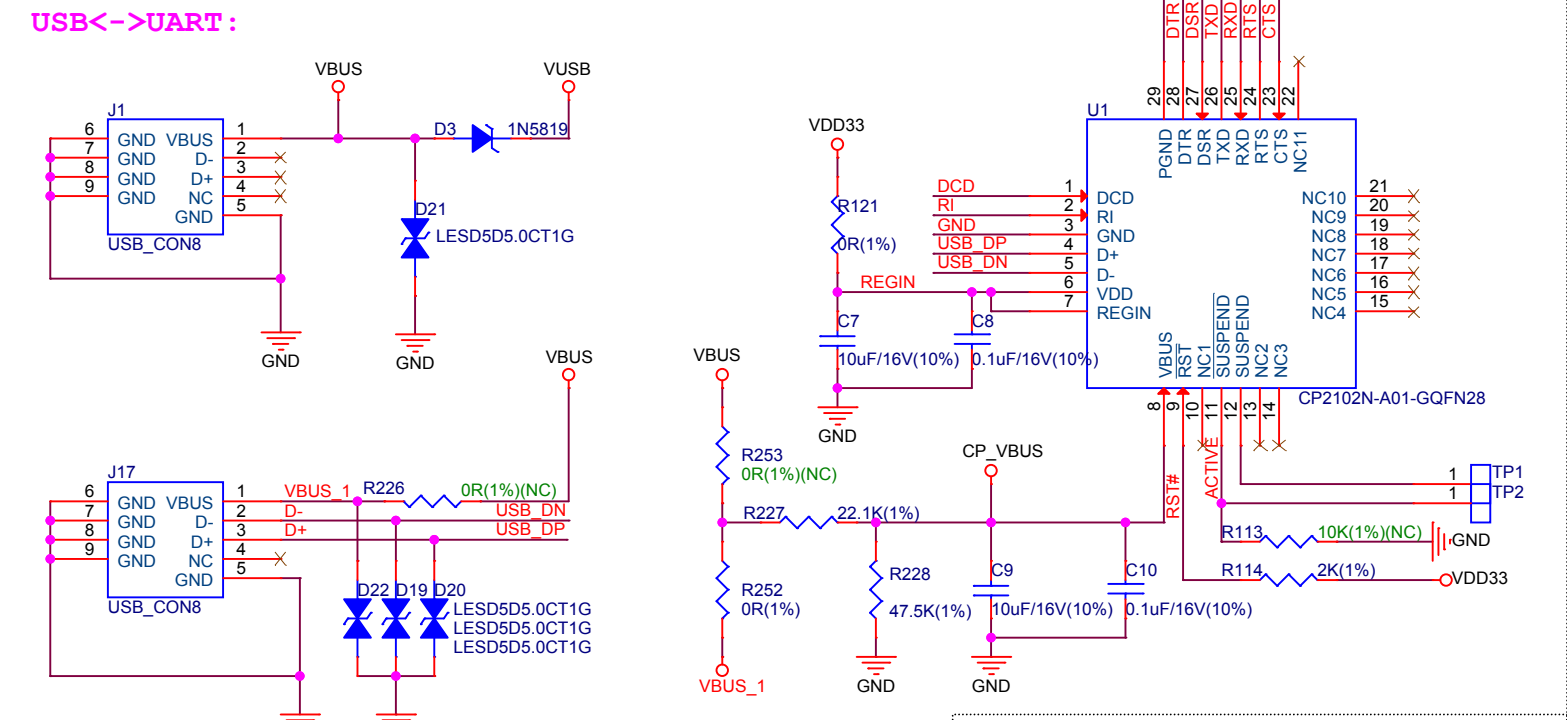
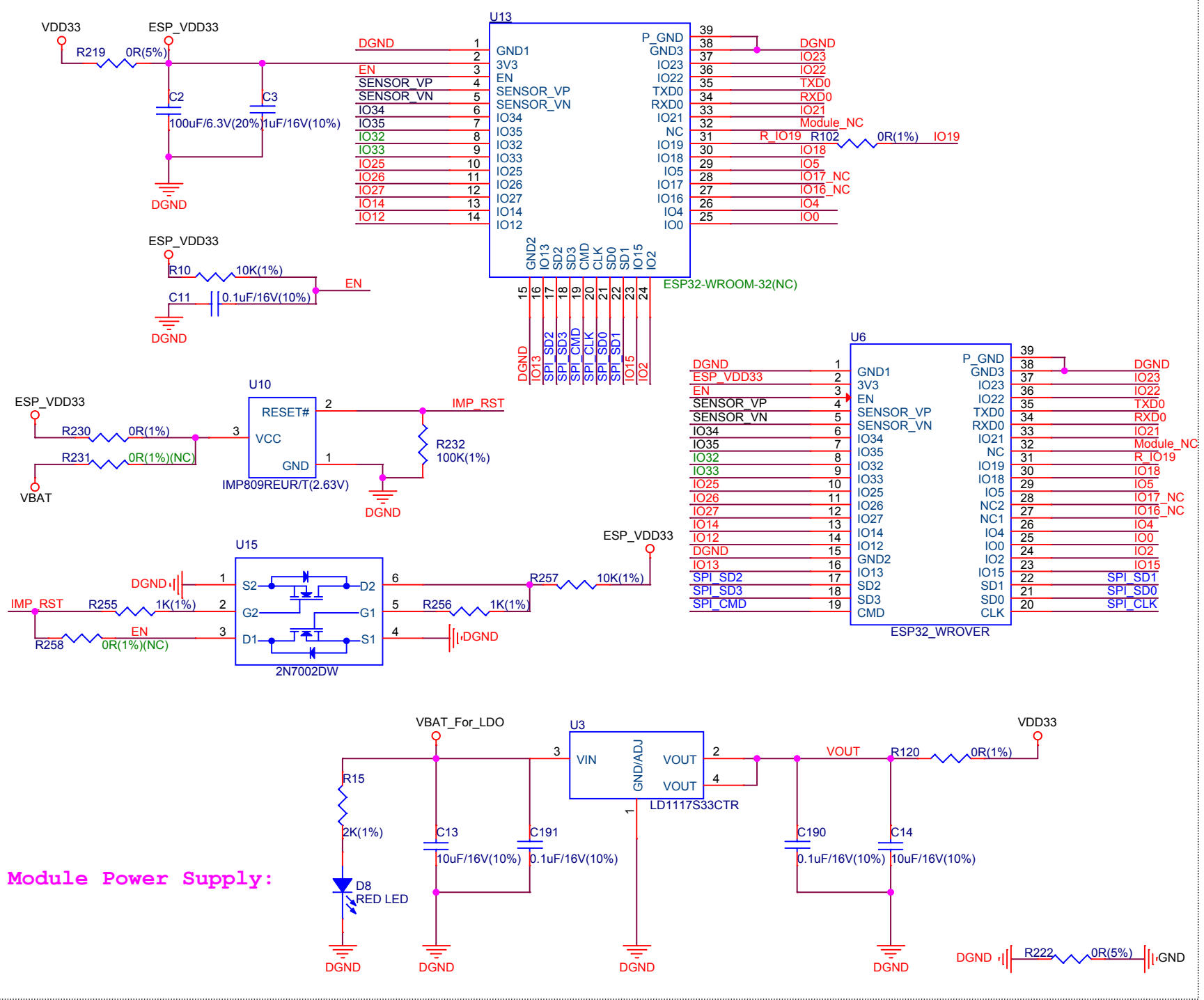


Power System:



ESP32 Module

The blue NETNAME means 1.8V level. The black color means 3.3V only. The green color means 3.3V oscillator input, as reserved but here they are used as TOUCH Function.

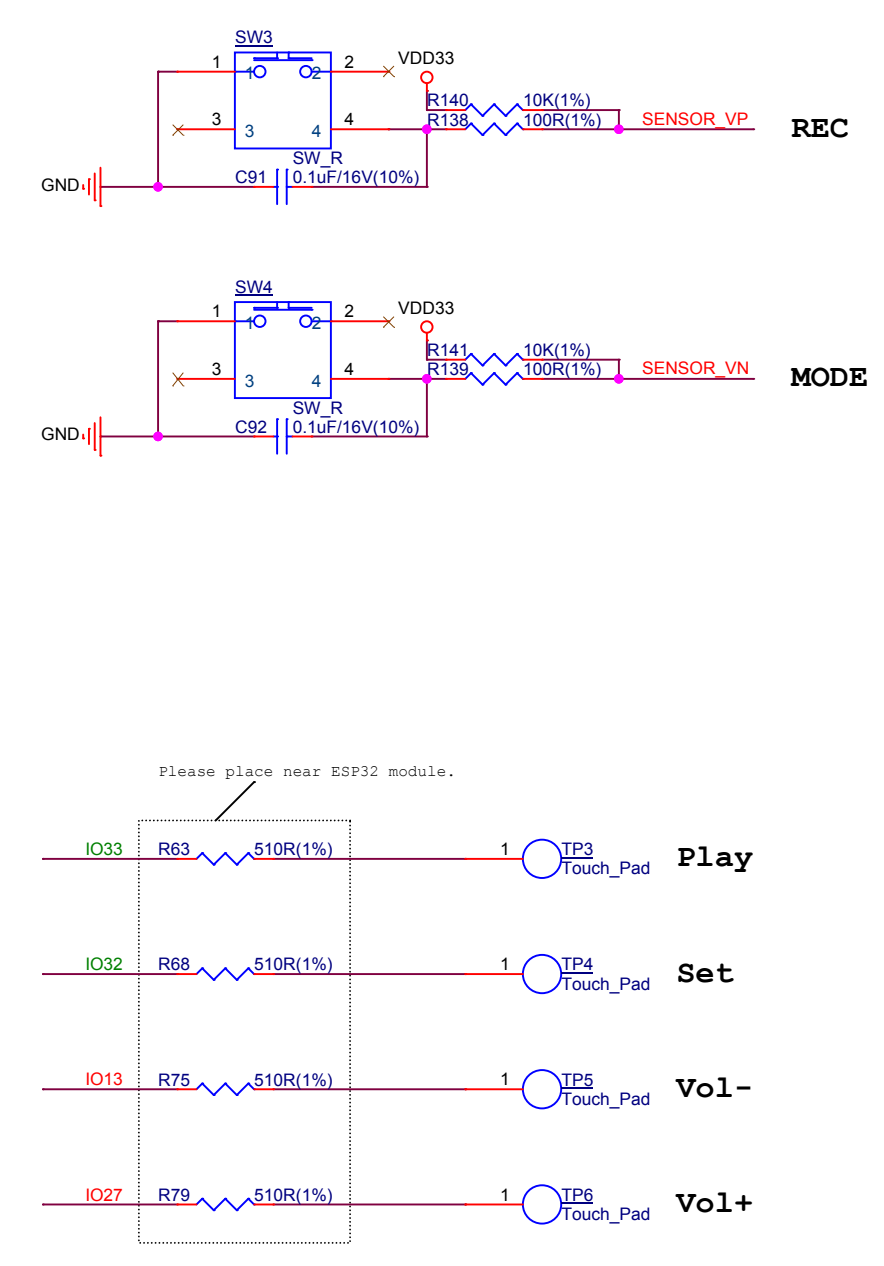


Module Power Supply:

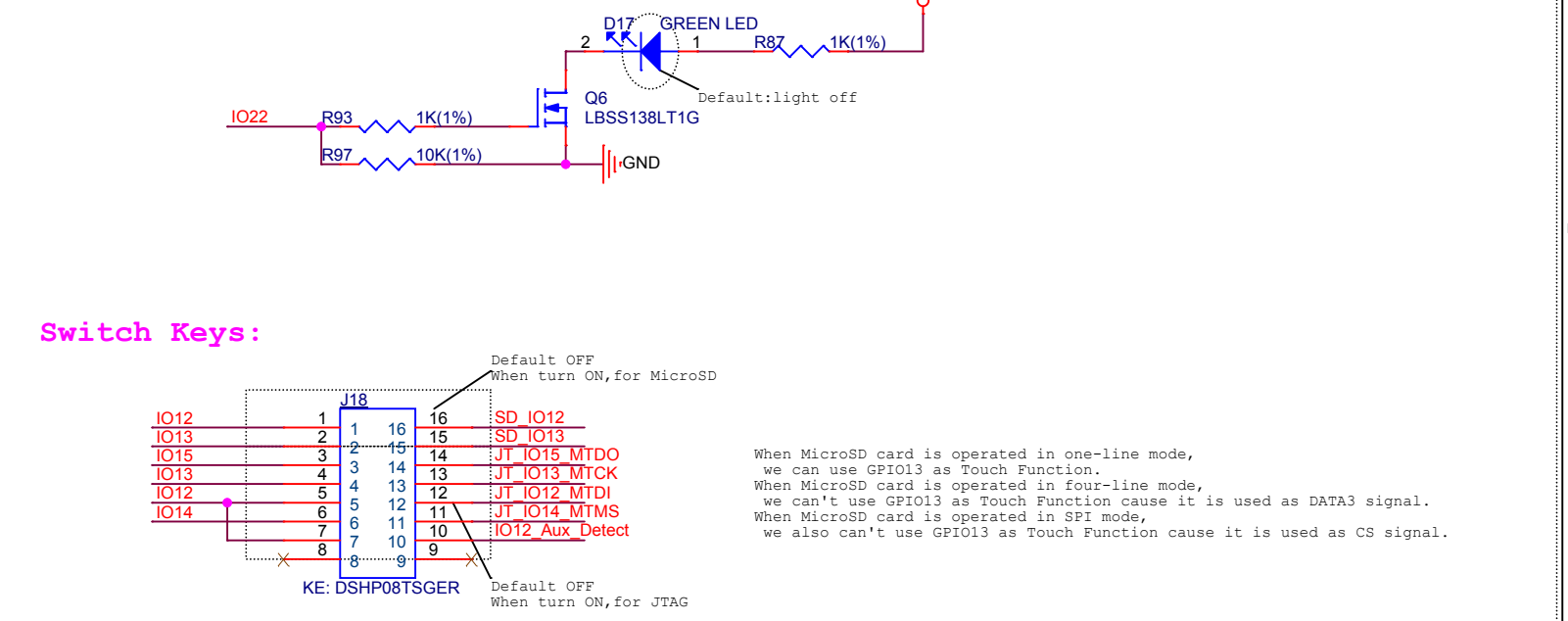


Digital System:

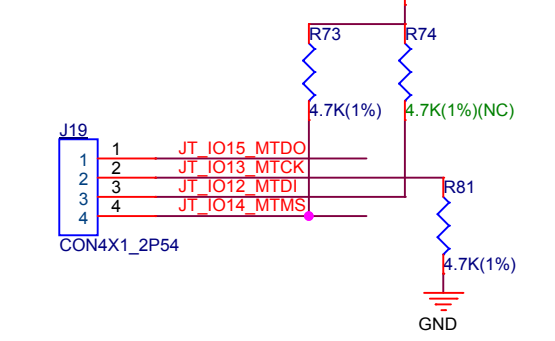
4-Touch-Pads & 2-Keys:



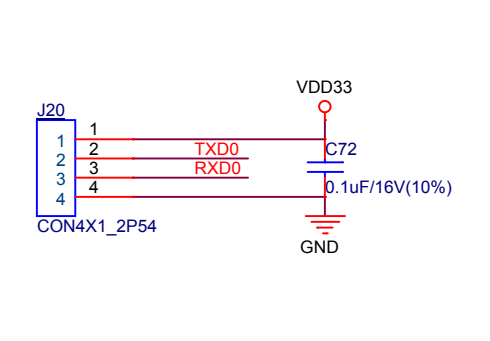
LEDs:



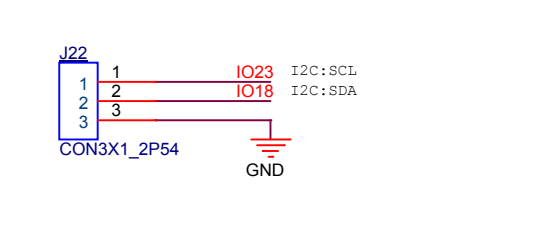
JTAG



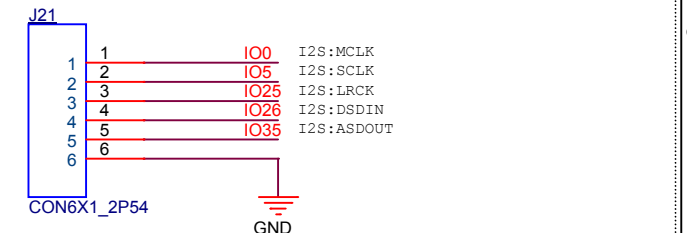
UART



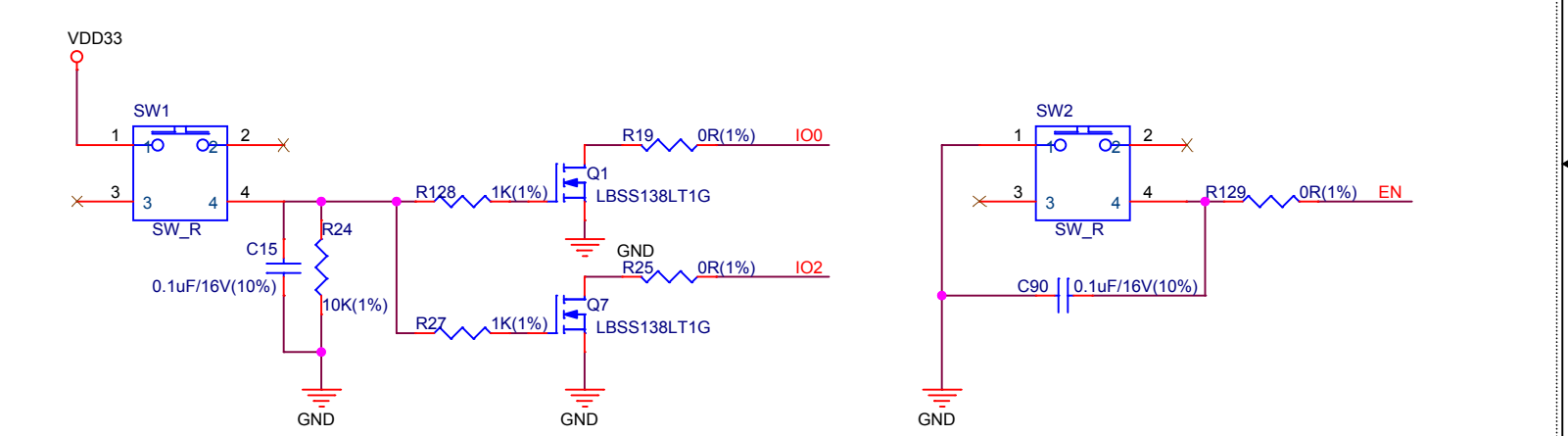
I2C



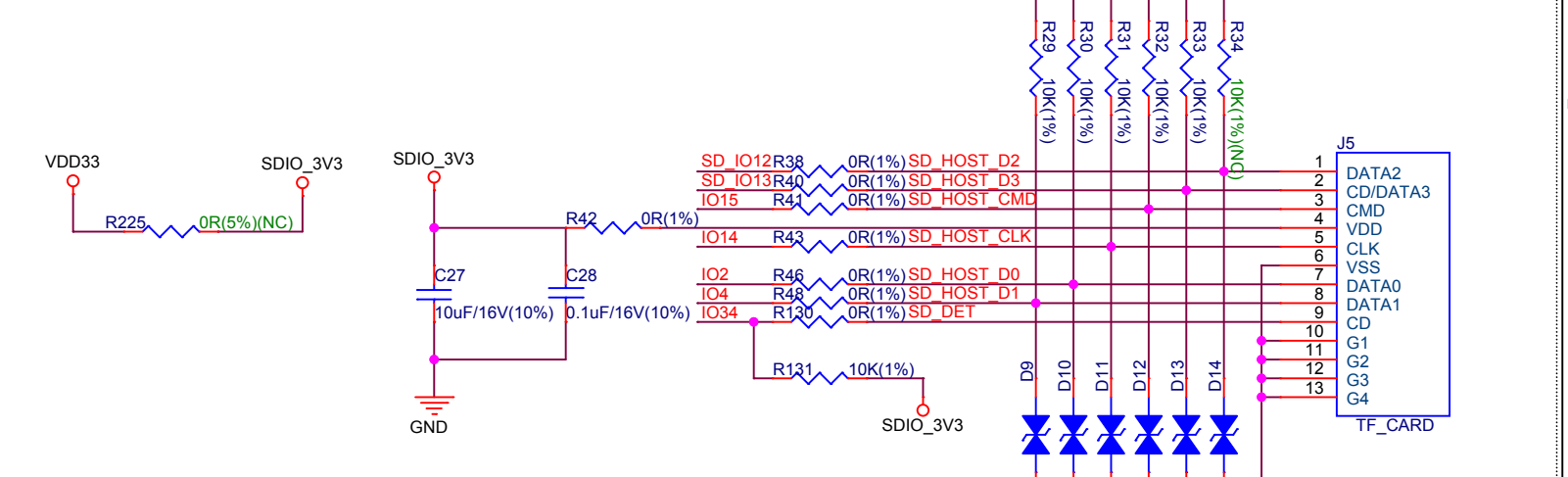
I2S



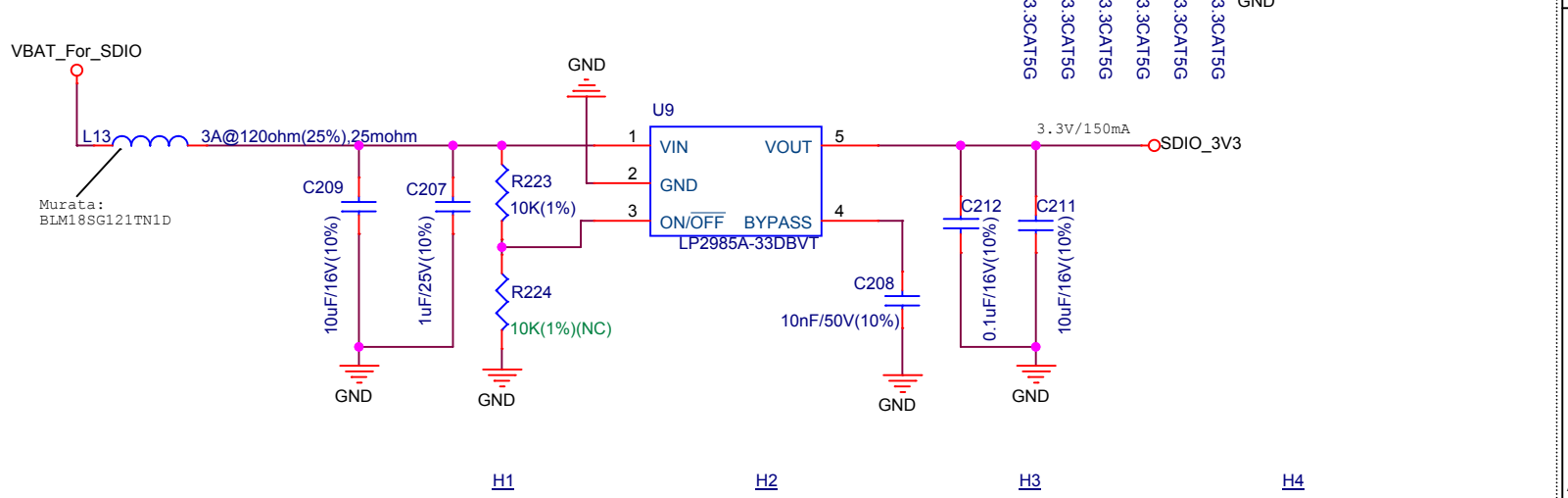
Reset/Download Button:



SD\_CARD:



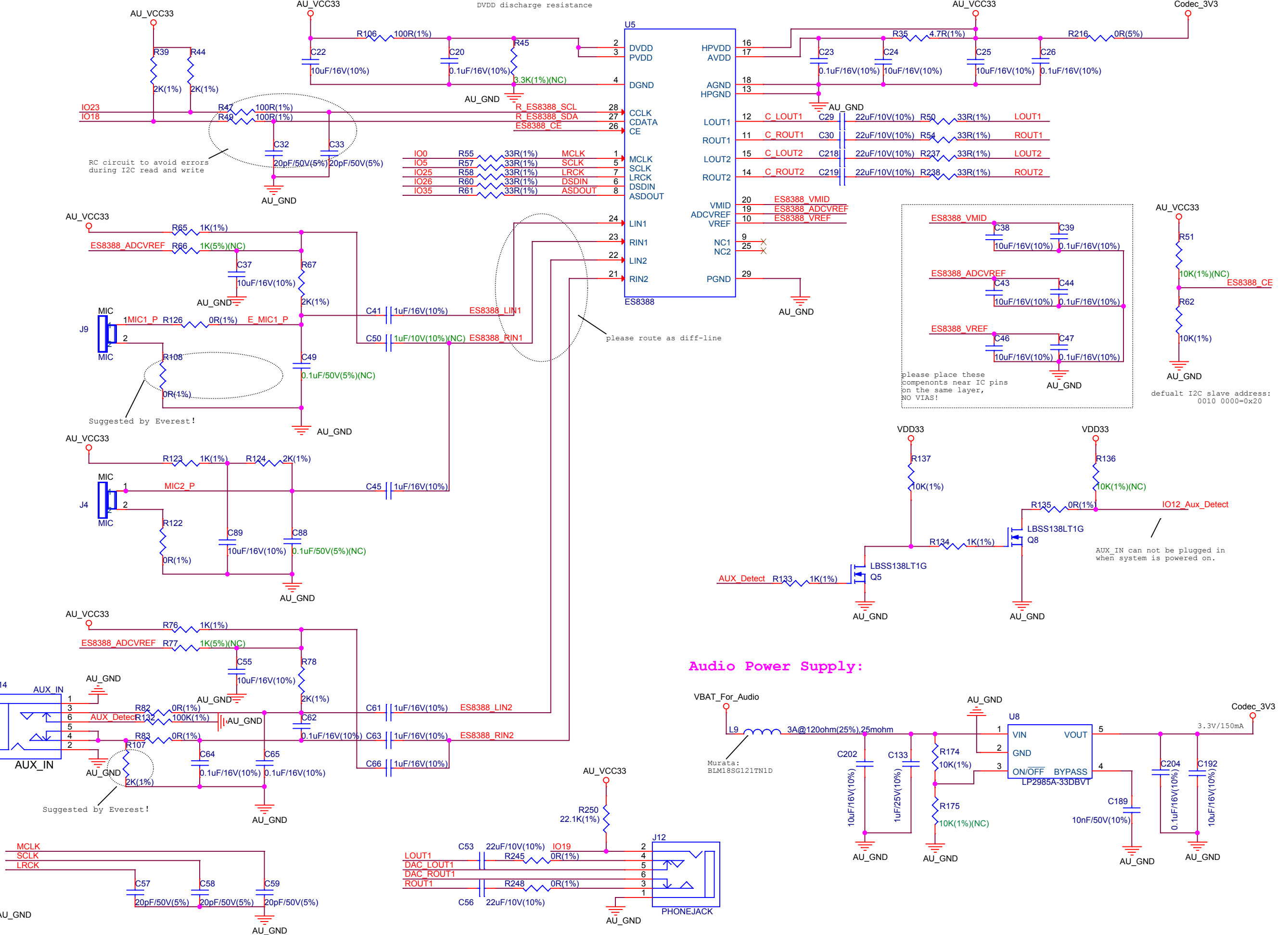
SDIO Power Supply:



Fixing Holes:



Analog System:



Audio Power Supply:

