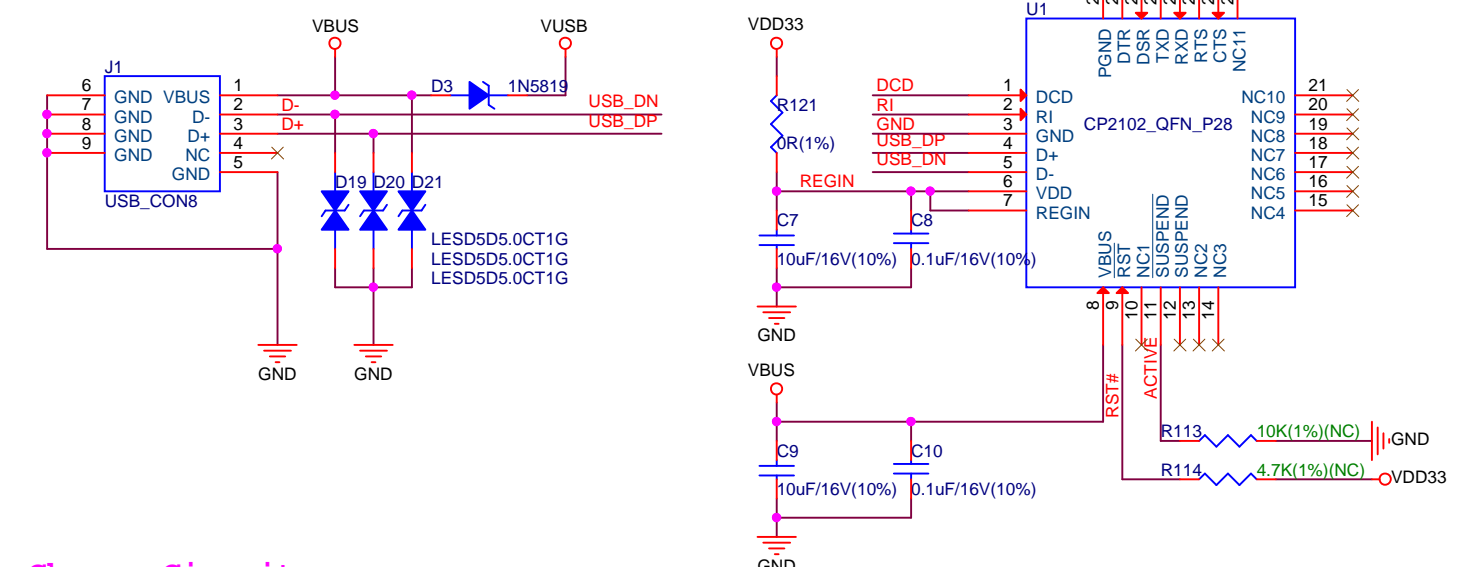
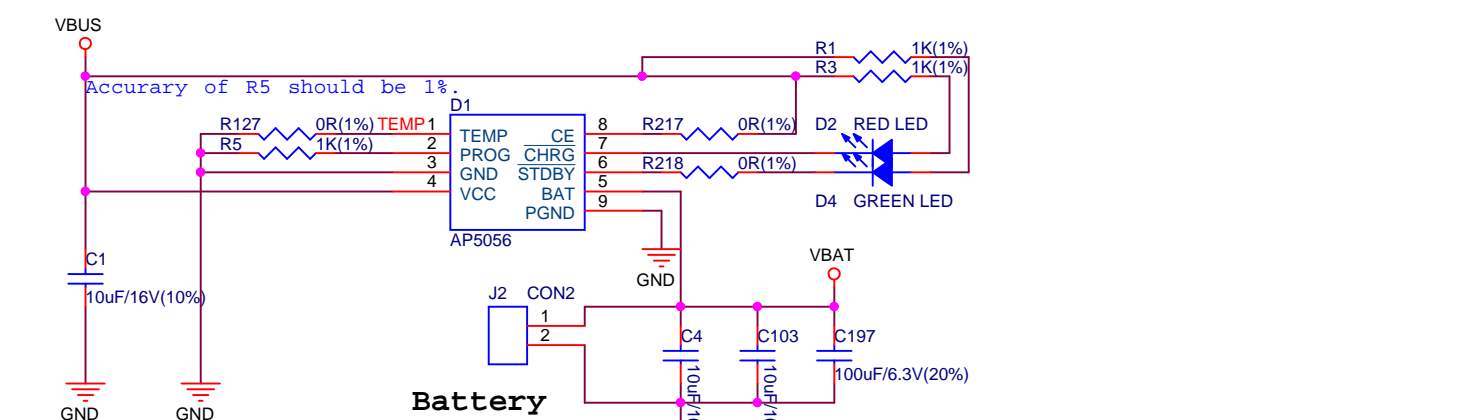


Power System:

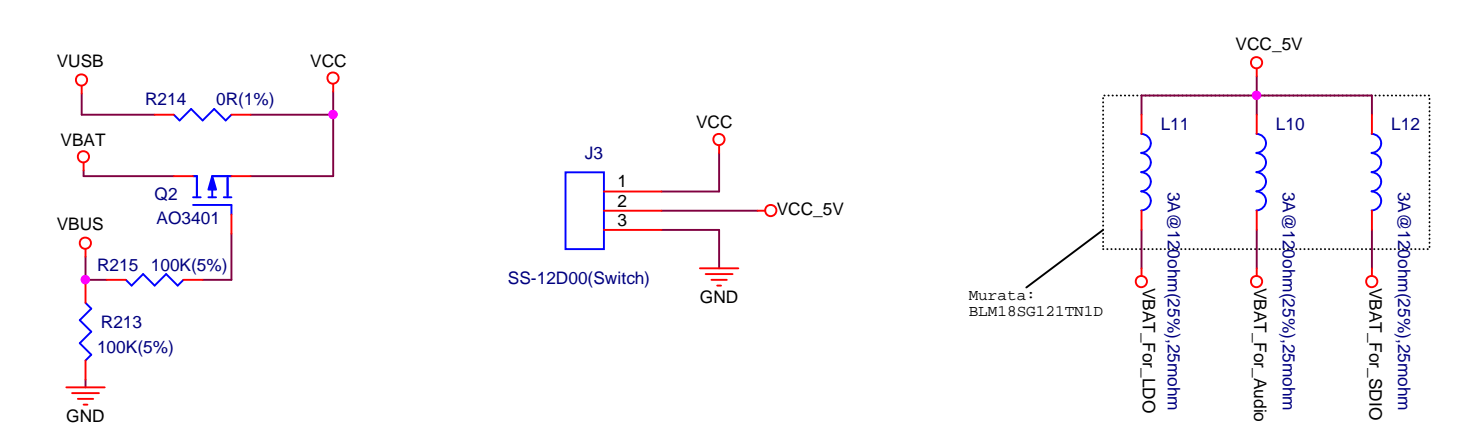
USB->UART:



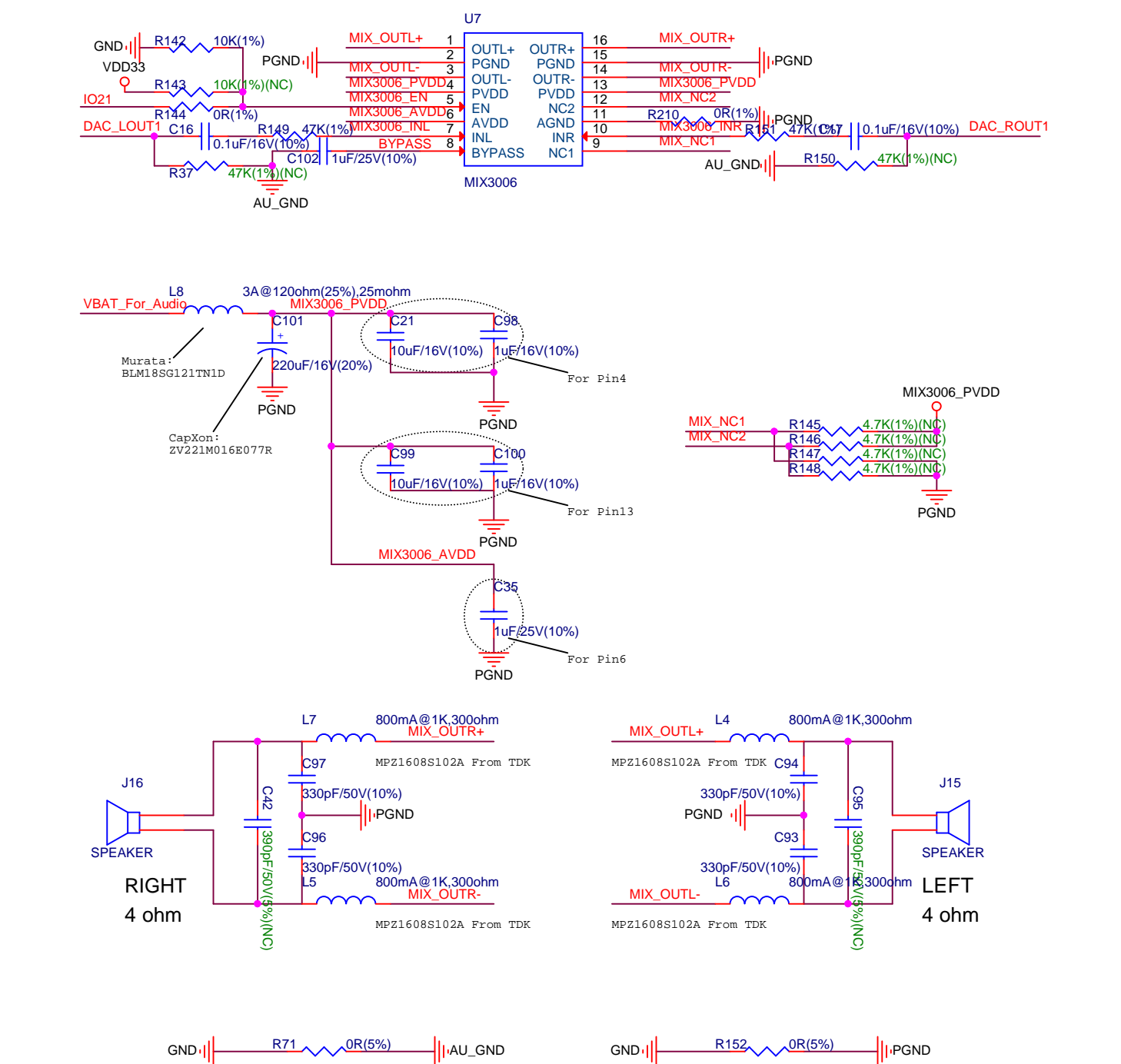
Charge Circuit:



Power Switch:



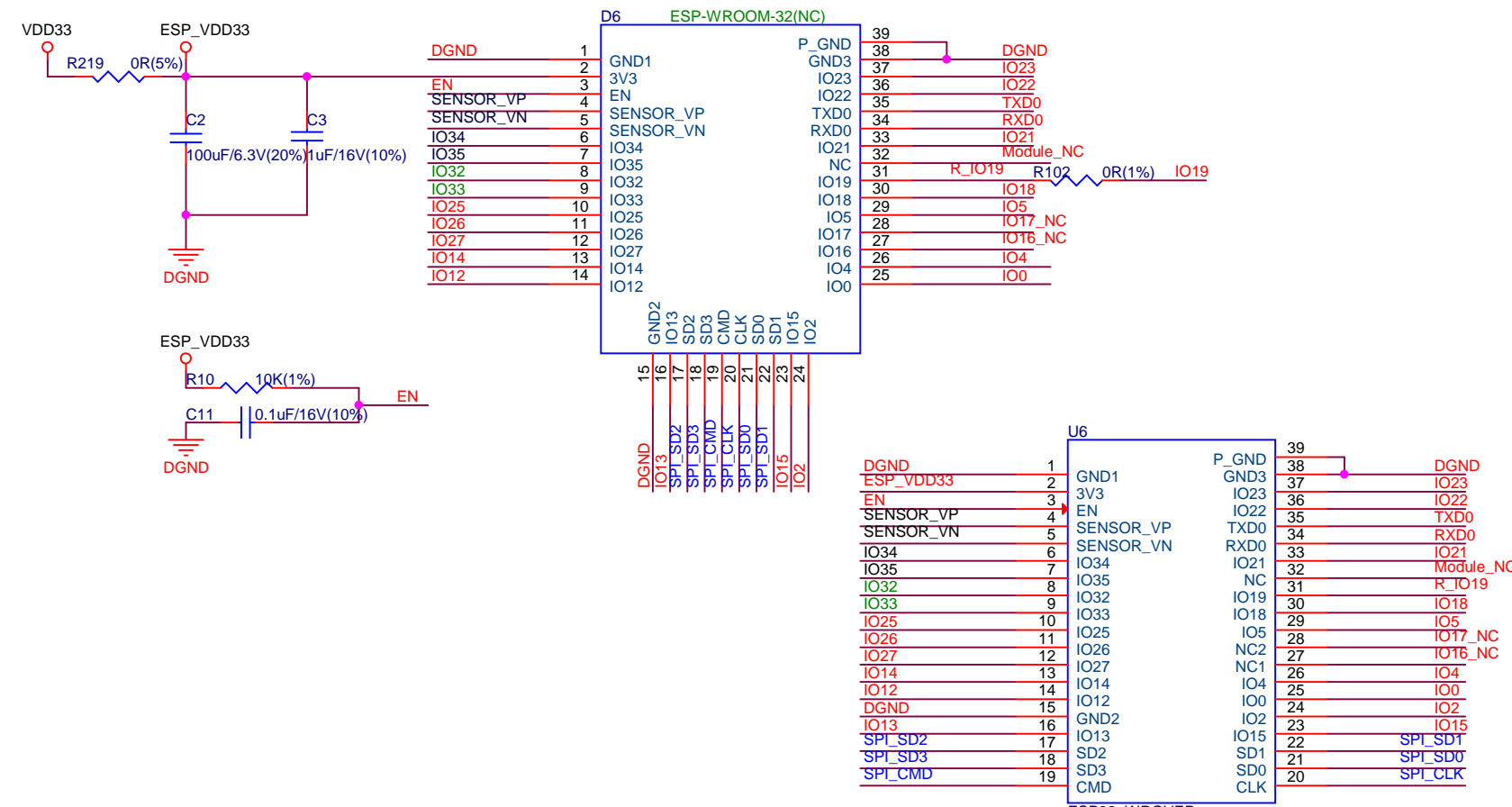
PA Output:



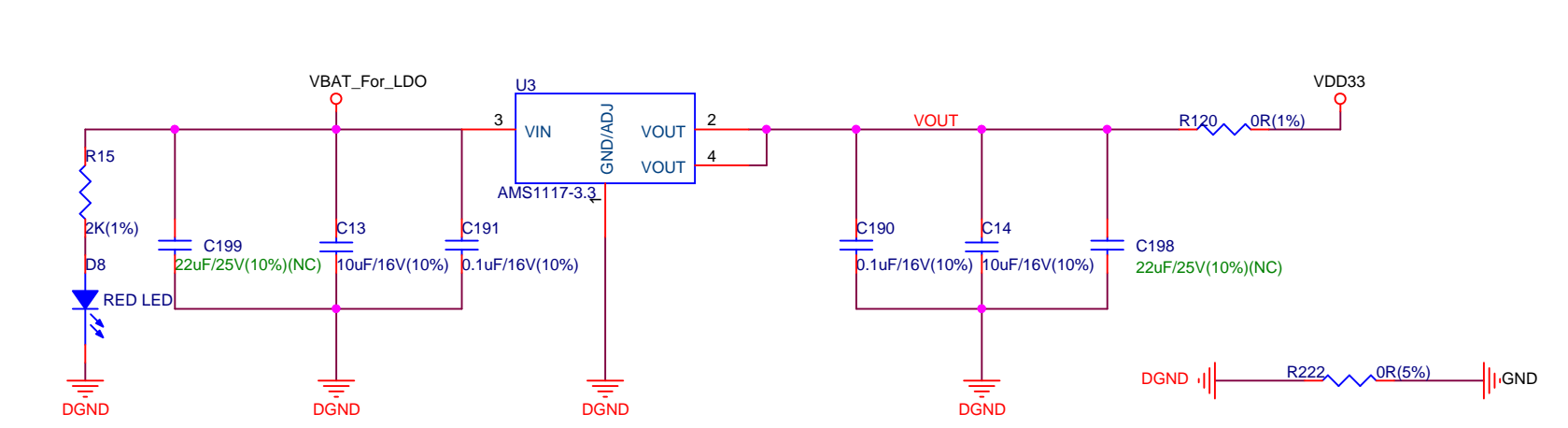
Digital System:

ESP32 Module

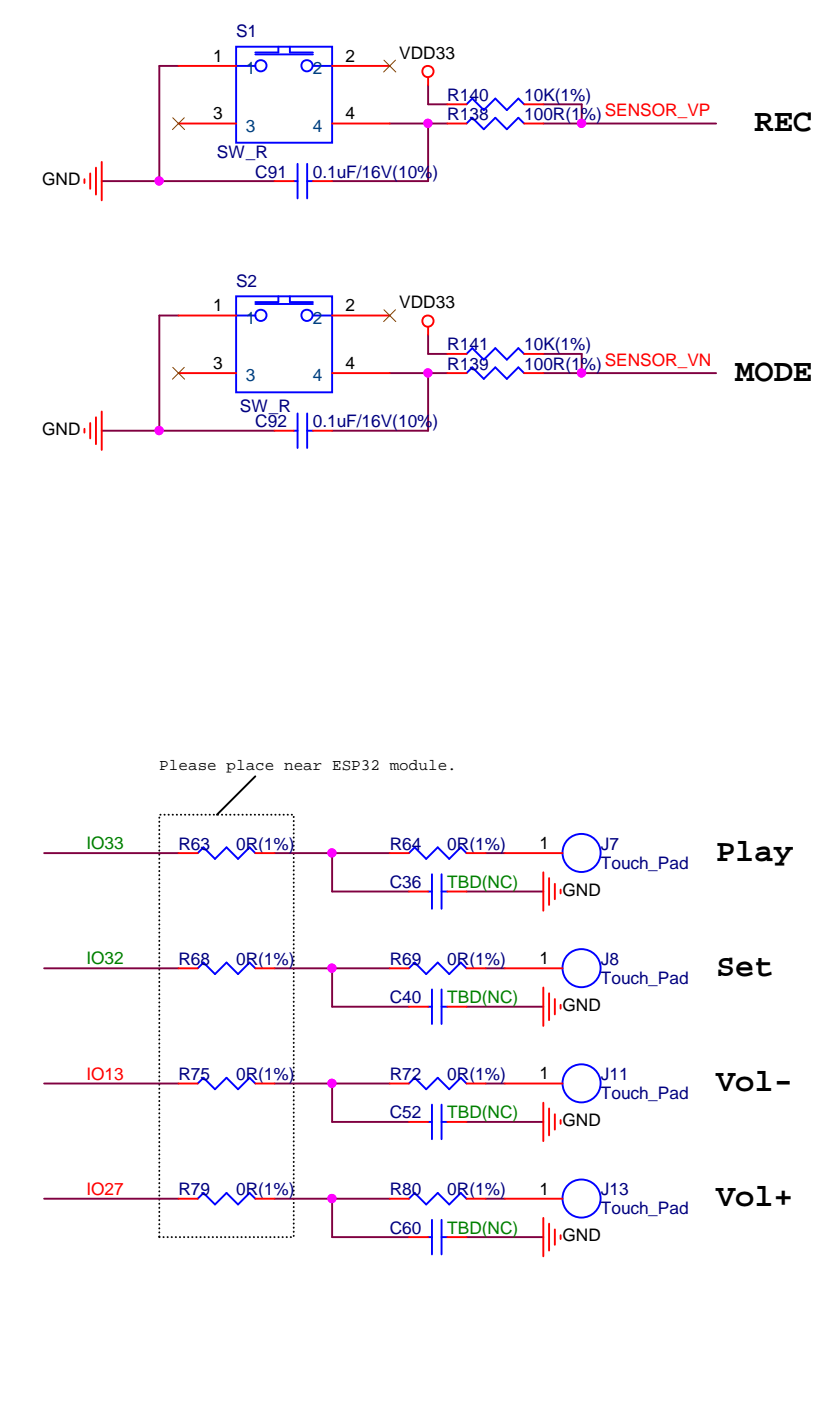
The blue color means INPUT only
The green color means 3.3V oscillator input, as reserved but here they are used as VDD33 Function



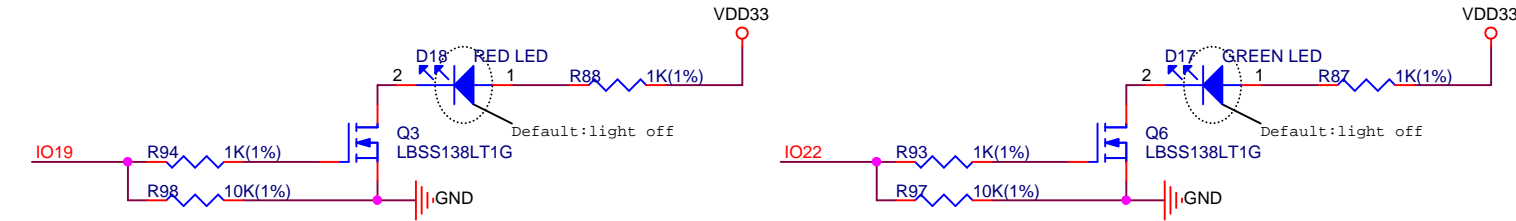
Module Power Supply:



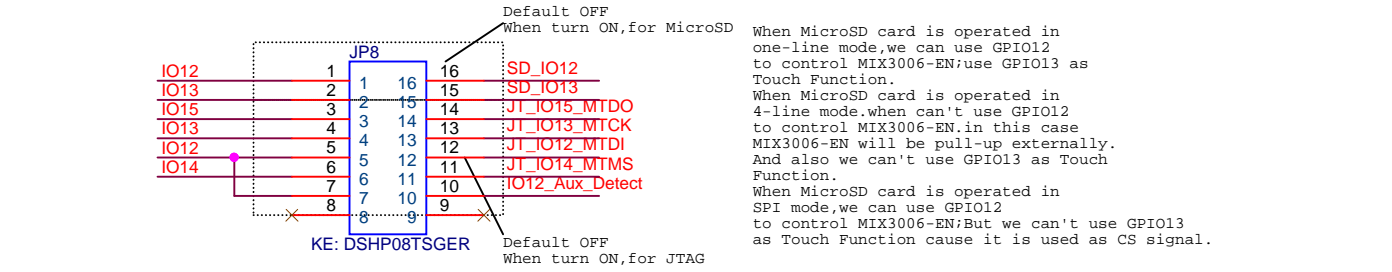
4-Touch-Pads & 2-Keys:



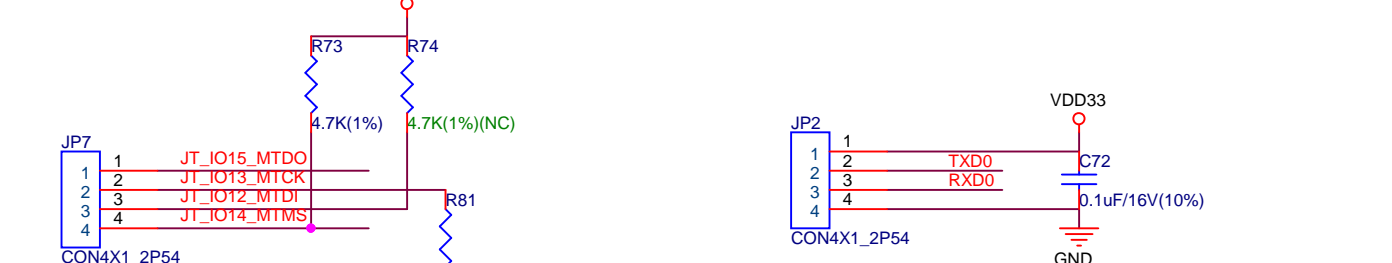
LEDS:



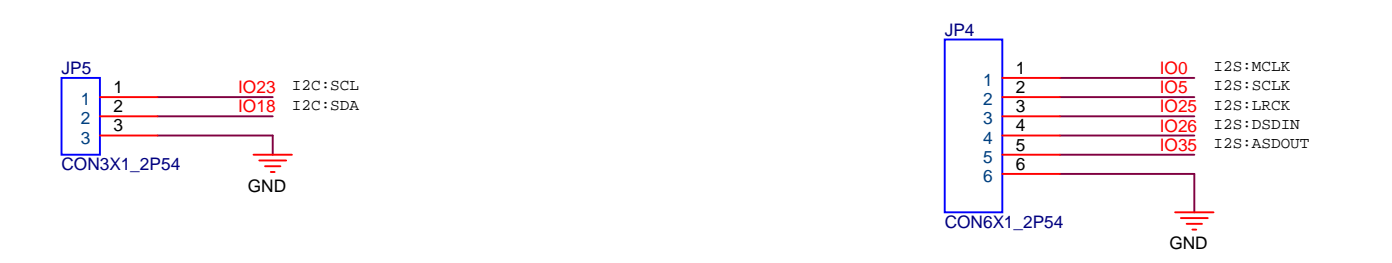
Switch Keys:



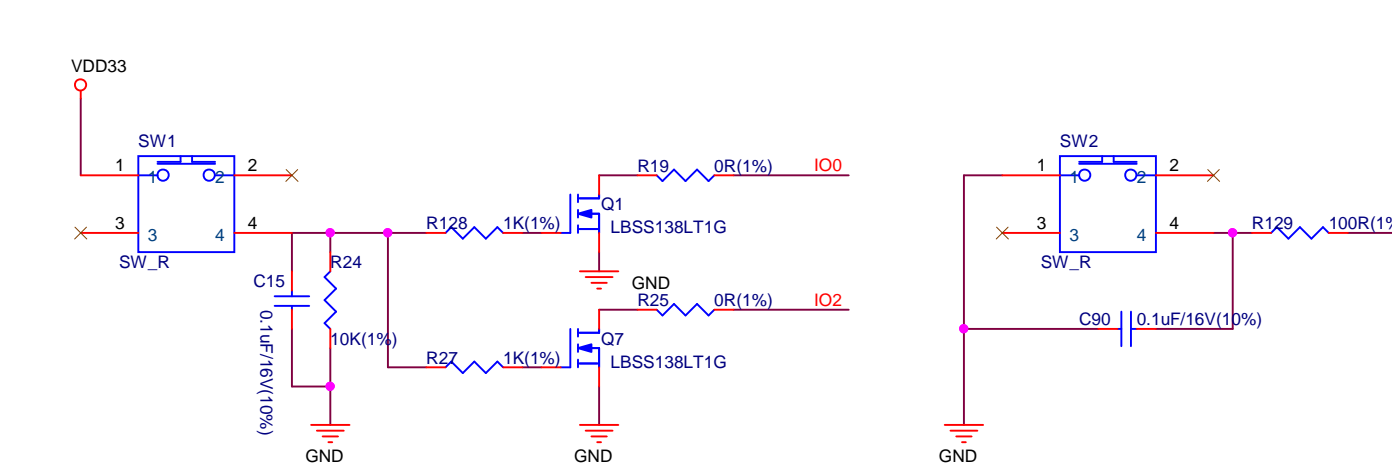
JTAG



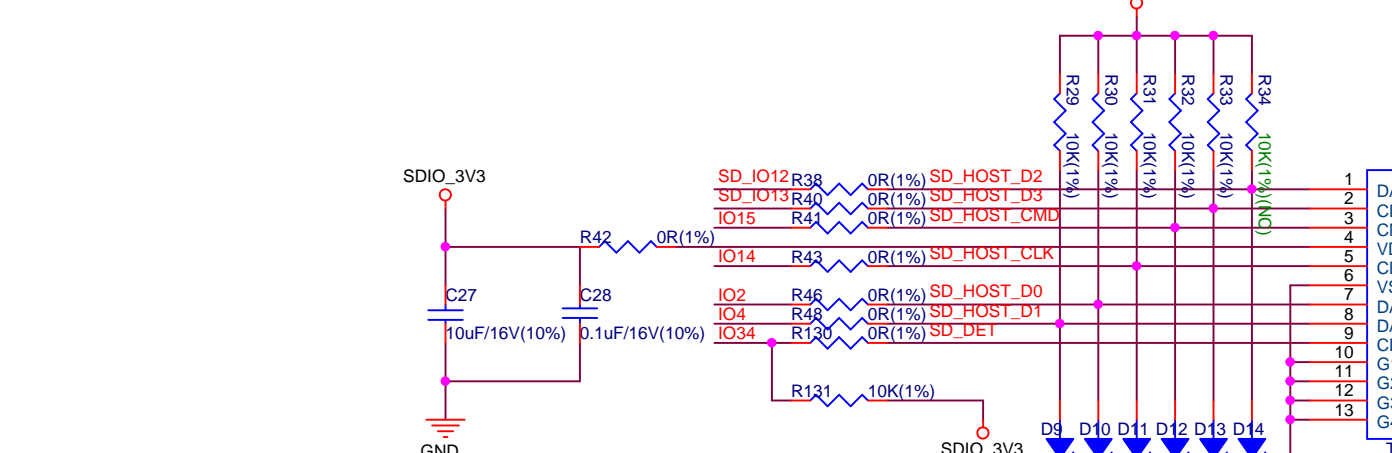
I2C



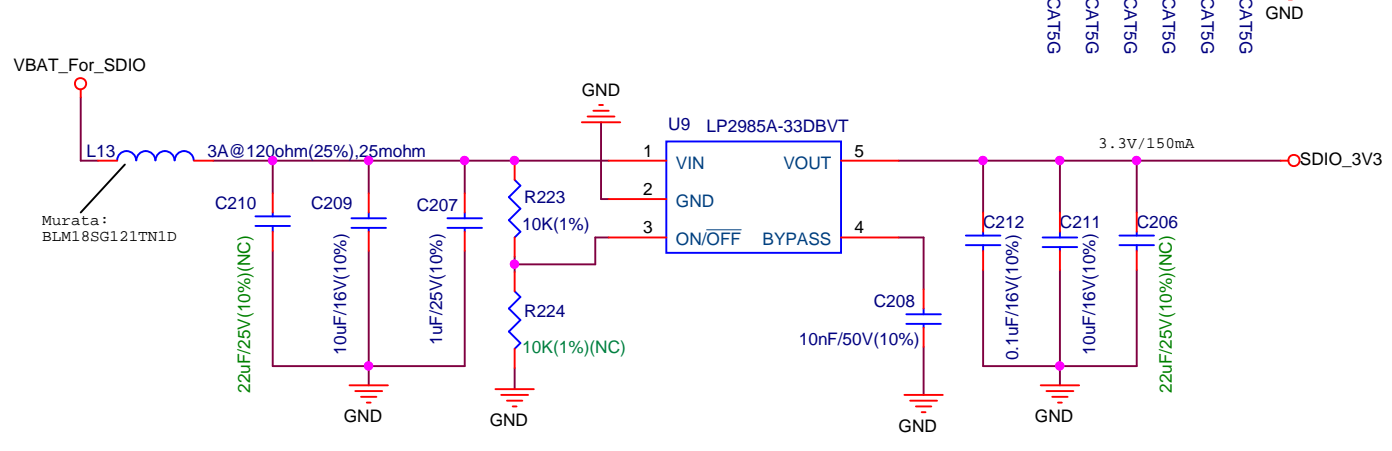
Reset/Download Button:



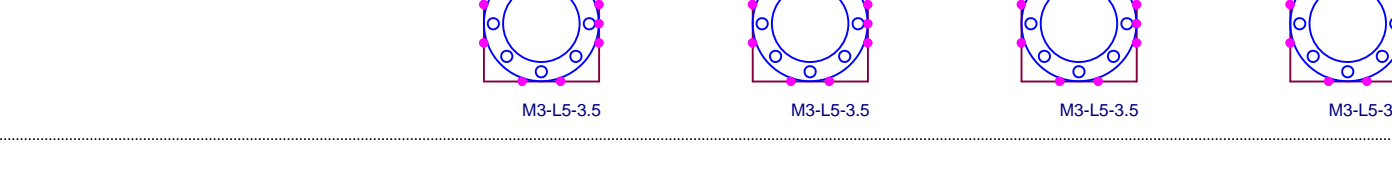
SD_CARD:



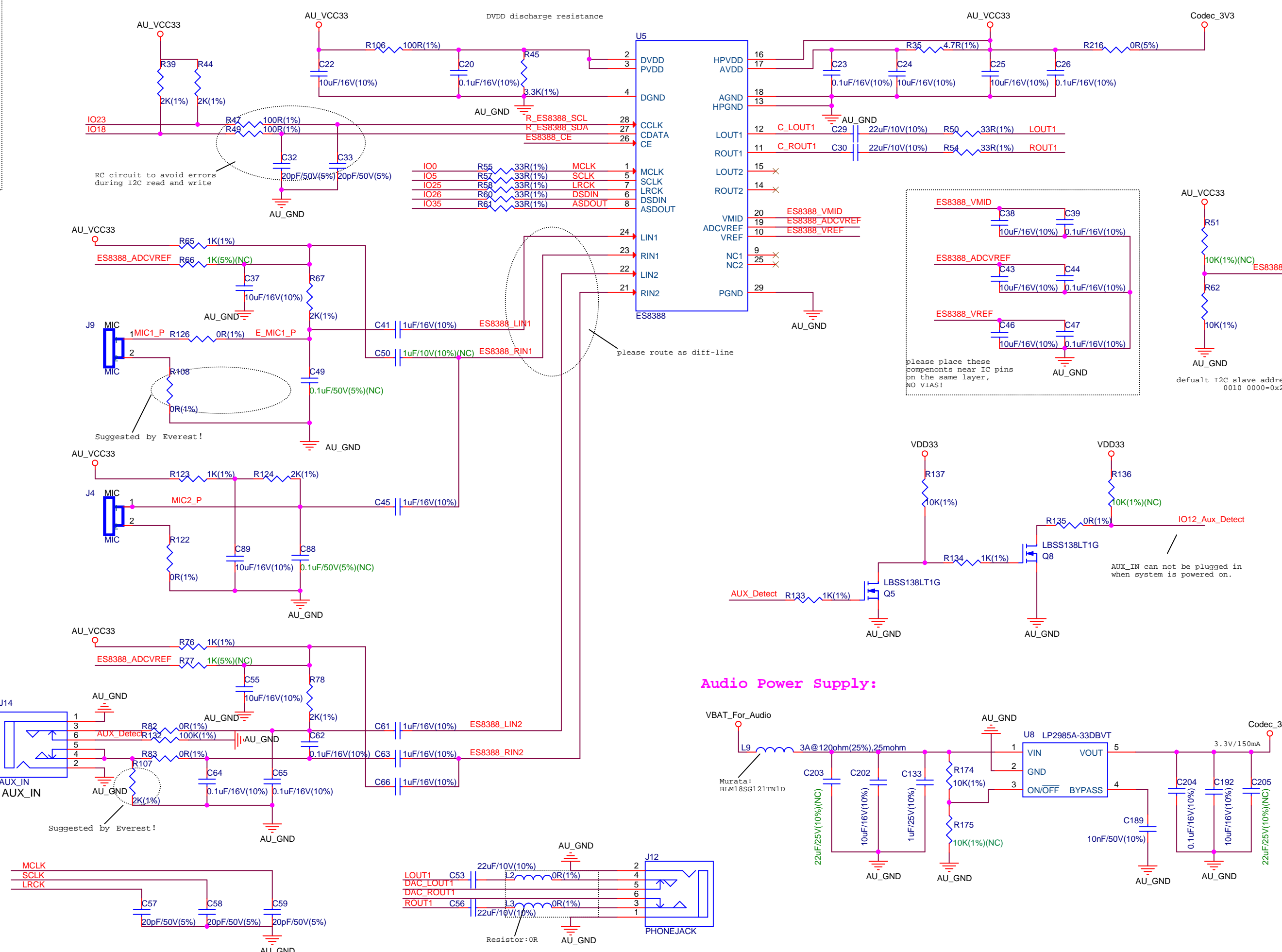
SDIO Power Supply:



Fixing Holes:



Analog System:



Audio Power Supply:

