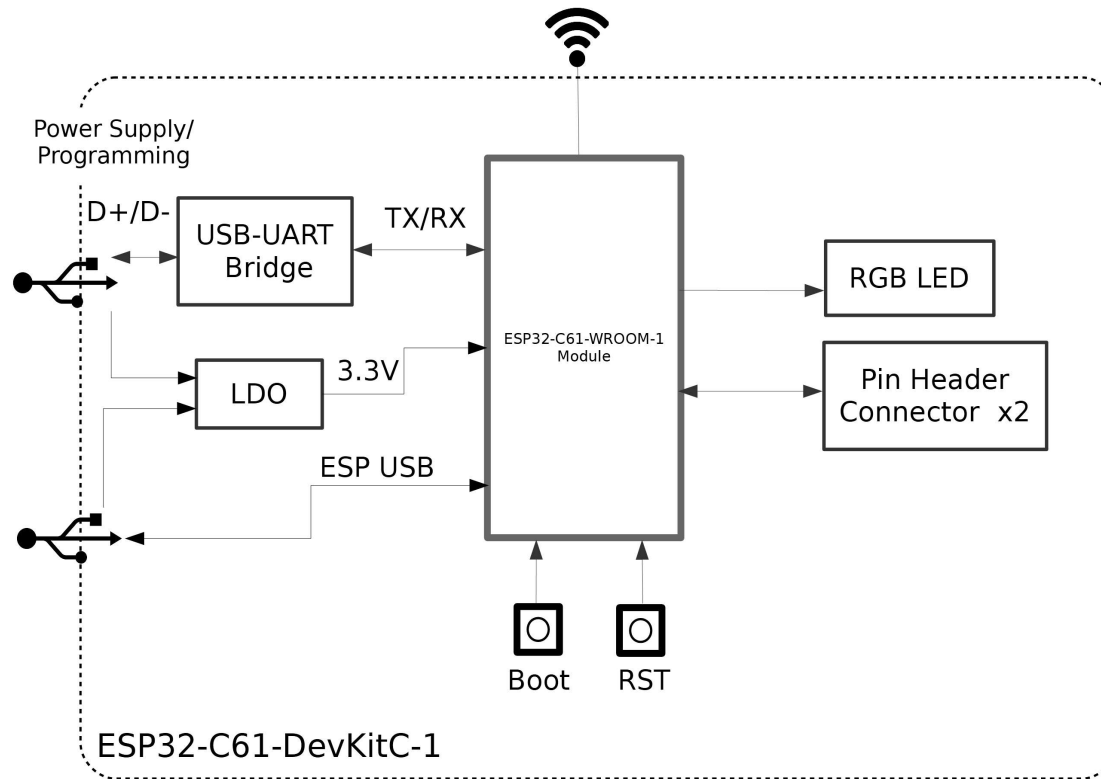
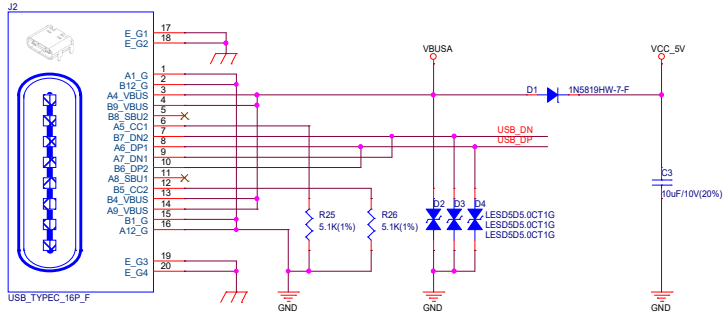


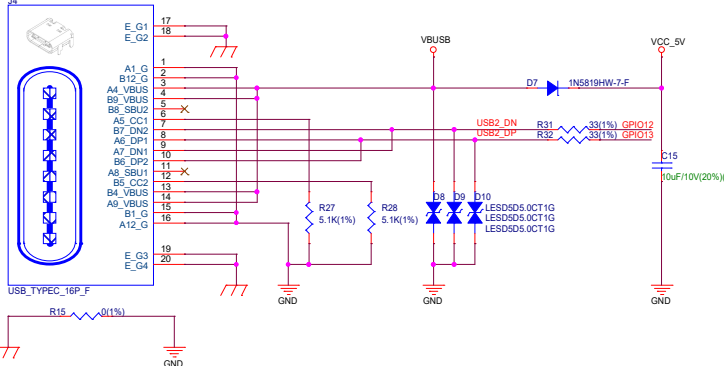
System Block:



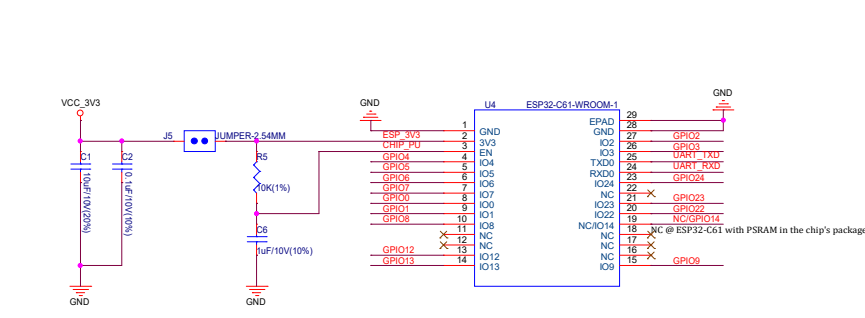
USB to UART:



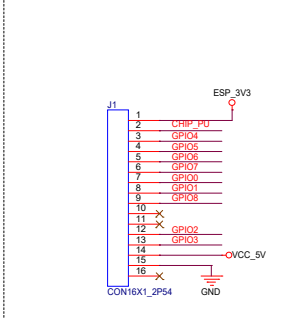
USB:



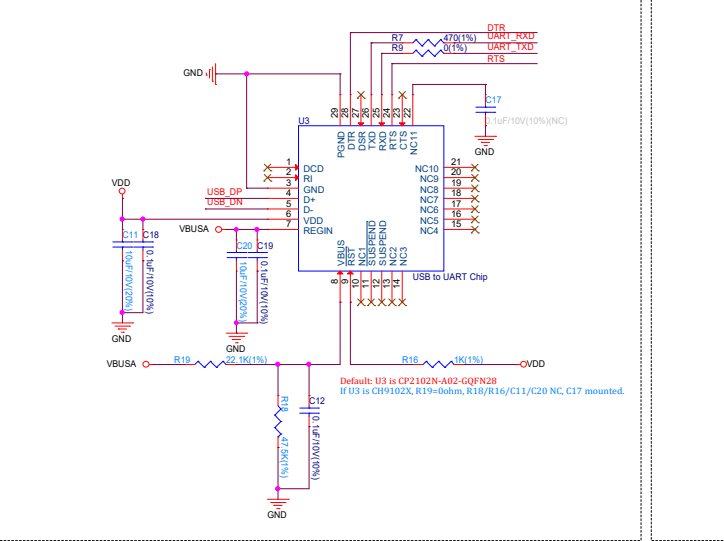
ESP32-C61-WROOM-1:



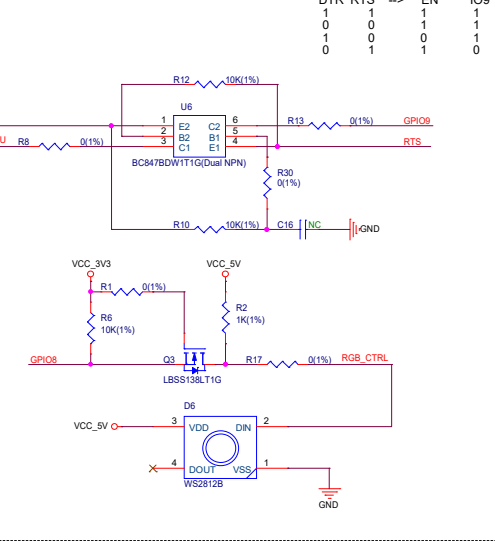
Pin Header:



UART:



Auto DownLoad:



Power Regulator:

