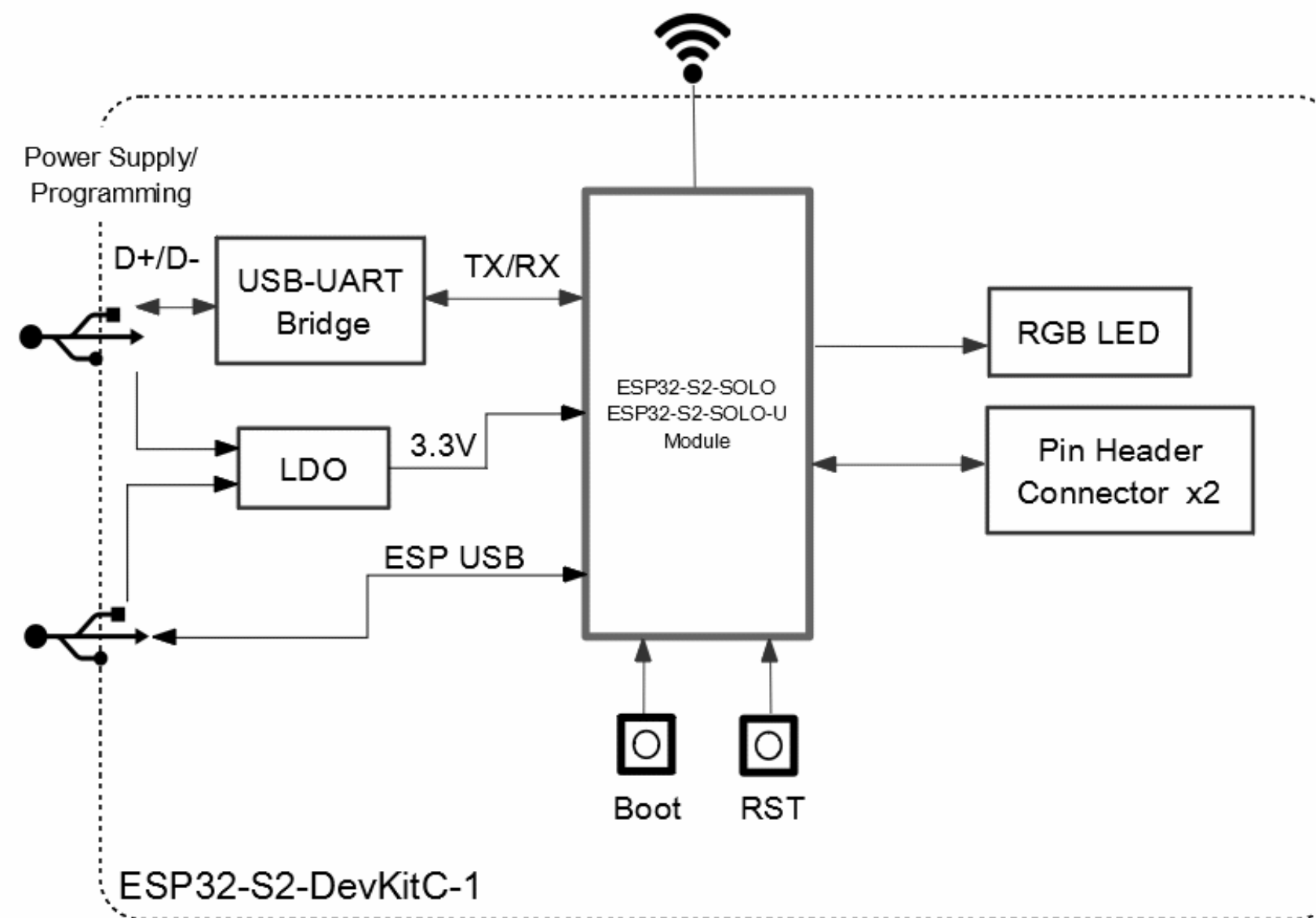
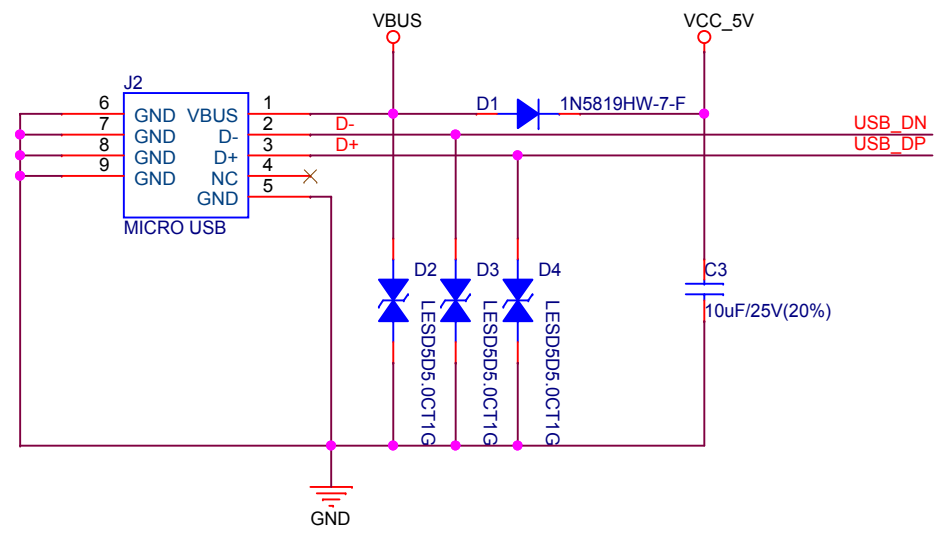


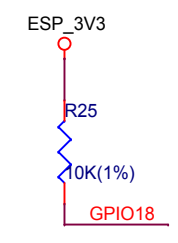
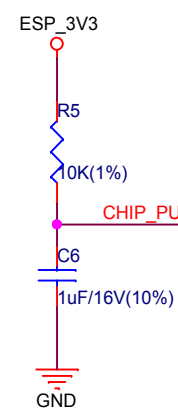
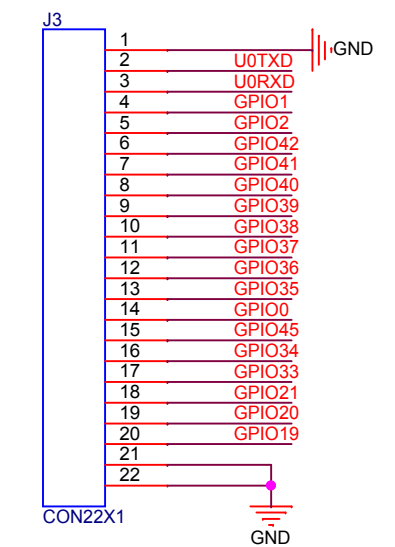
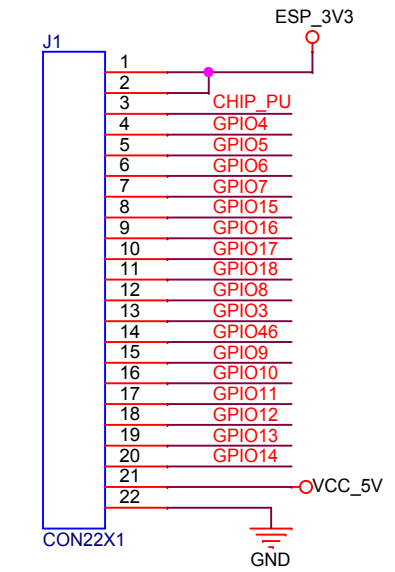
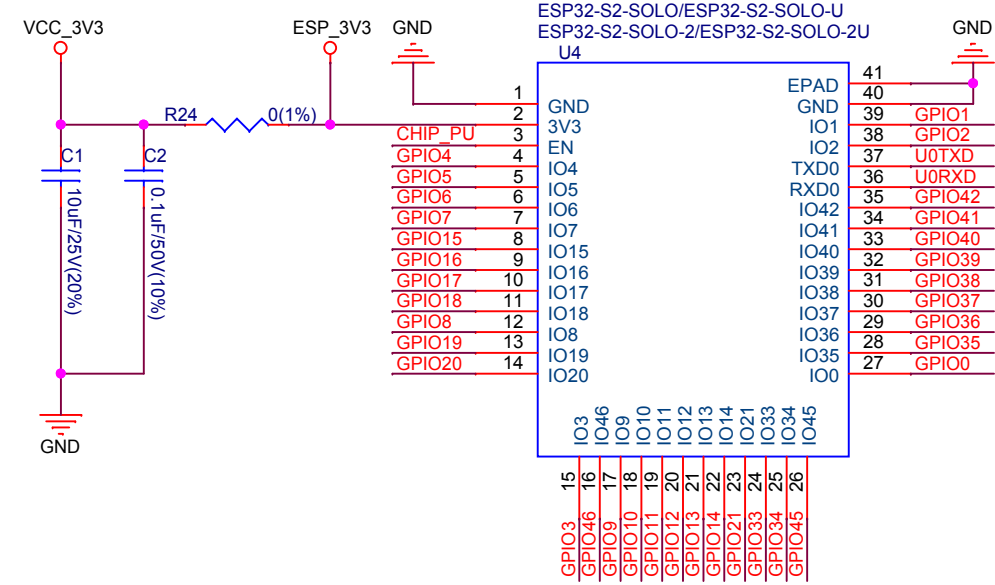
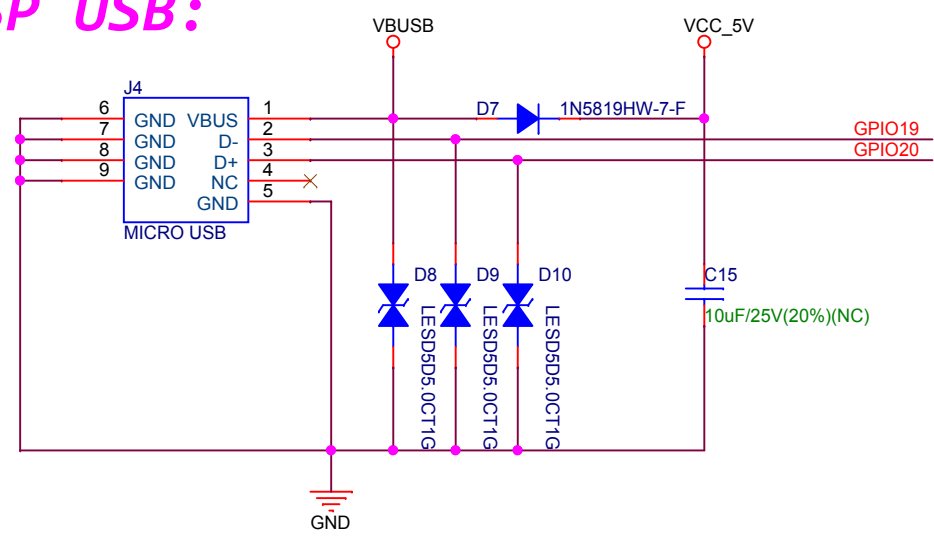
System Block:



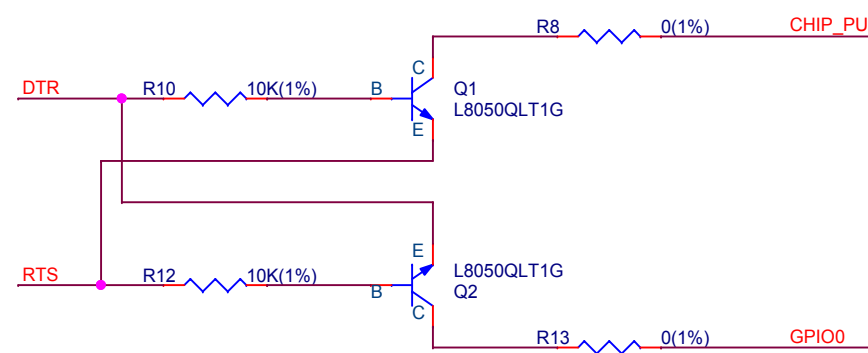
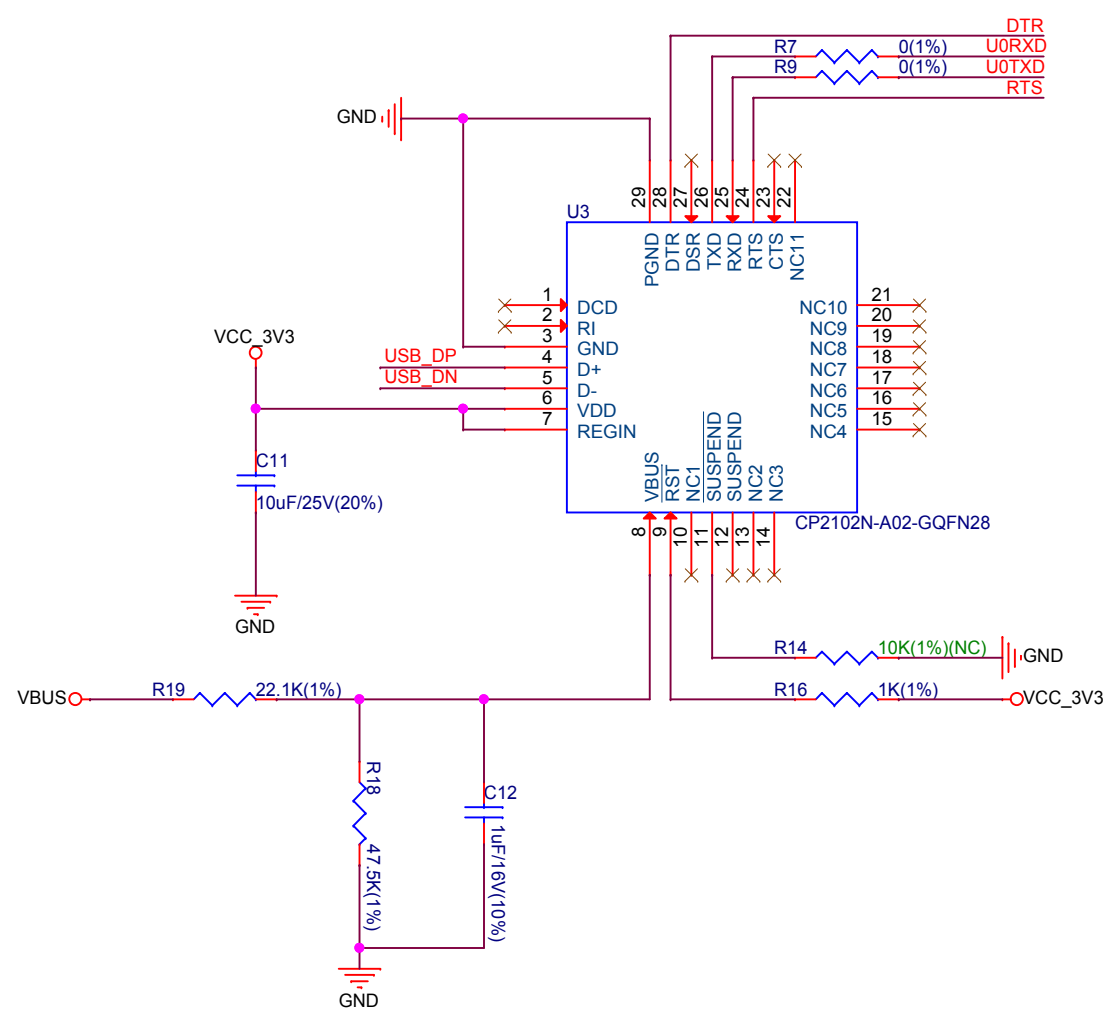
USB to UART:



ESP USB:

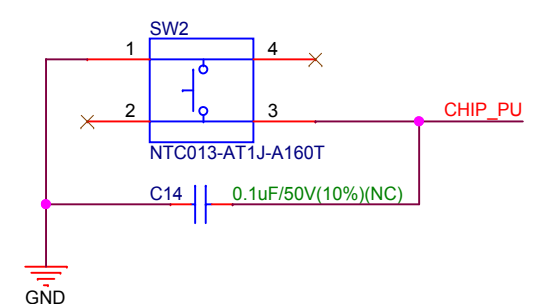
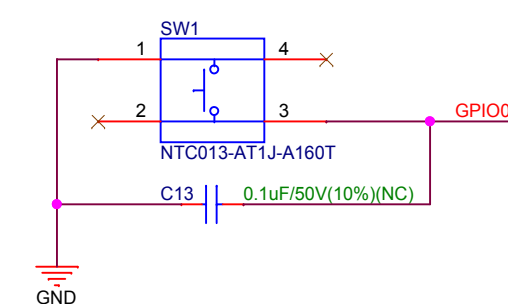
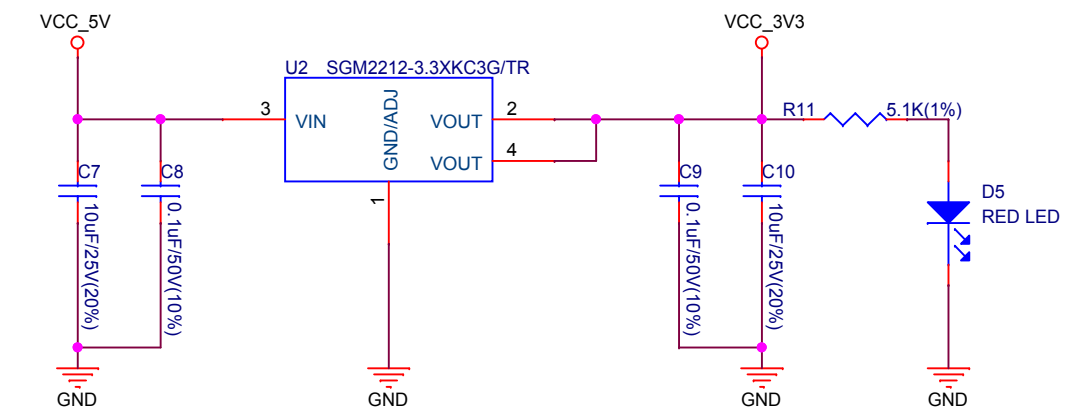
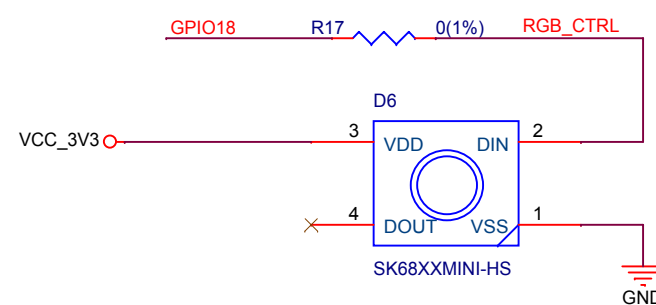


R25 is mounted when U4 PN is ESP32-S2-SOLO or ESP32-S2-SOLO-U;
R25 is NC when U4 PN is ESP32-S2-SOLO-2 or ESP32-S2-SOLO-2U.



Auto program

DTR	RTS	EN	IO0	IO2
1	1	1	1	1
0	0	1	1	1
1	0	0	1	1
0	1	1	0	0



ESPRESSIF

乐鑫信息科技(上海)股份有限公司

Title ESP32-S2-DevKitC-1

Size Document Number

C 02_ESP32-S2-DevKitC-1

Date: Wednesday, August 17, 2022

Sheet 2 of 2

Rev V1.0