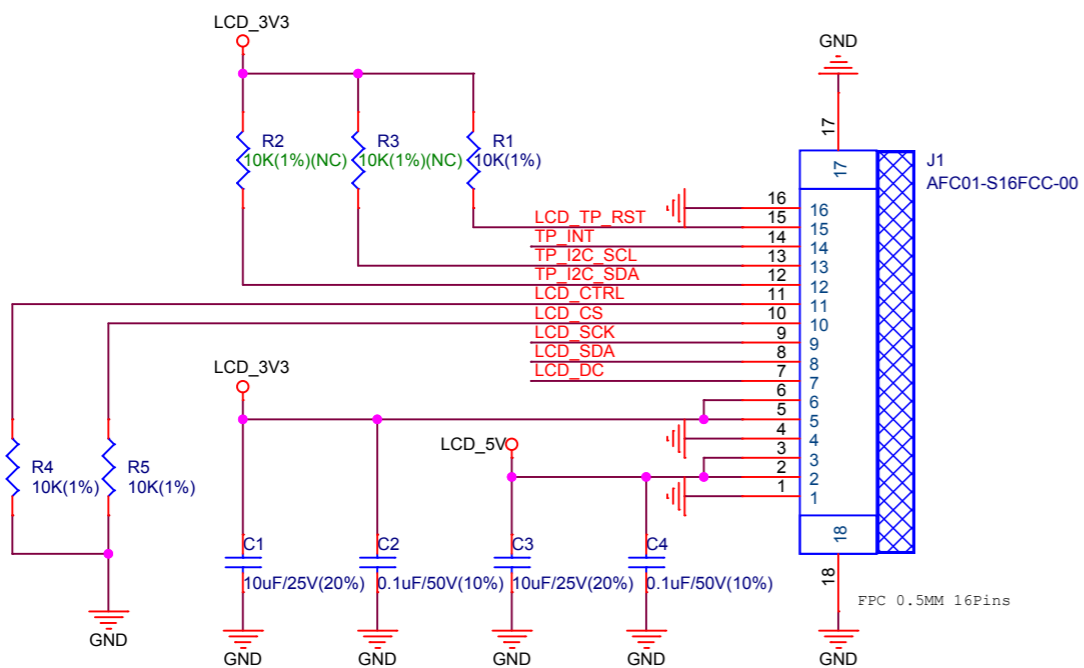
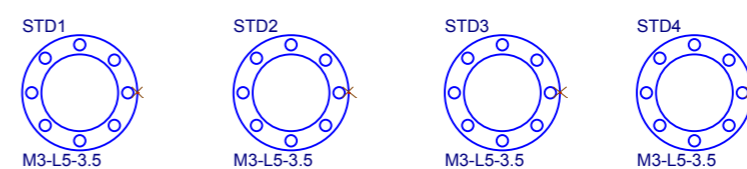


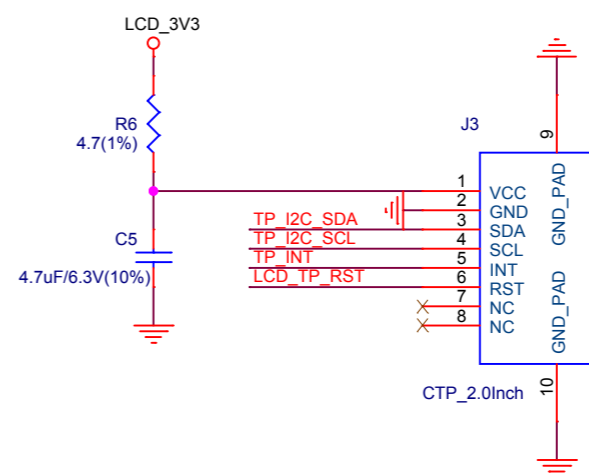
FPC for LCD Display:



Location Holes:



TP:



LCD:

