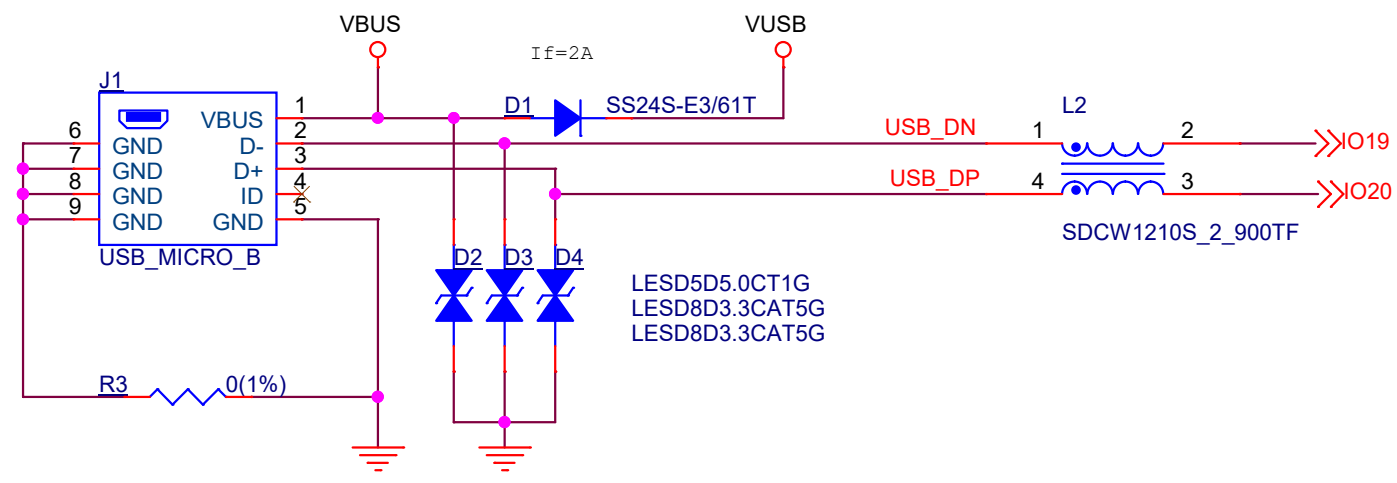
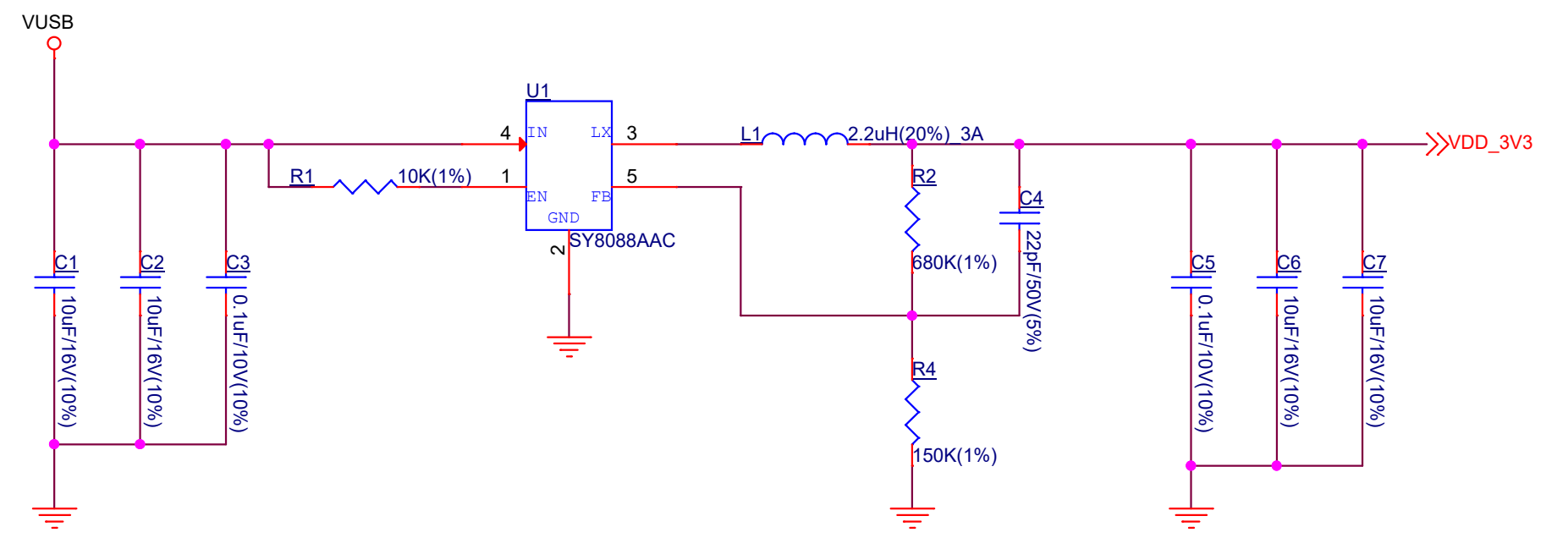


ESPRESSIF			
乐鑫信息科技(上海)股份有限公司			
Title ESP32-S3-EYE			
Size A3	Page Name 01_Overview	Rev 1.0	Proprietary
Date:	Thursday, November 25, 2021	Sheet	1 of 4

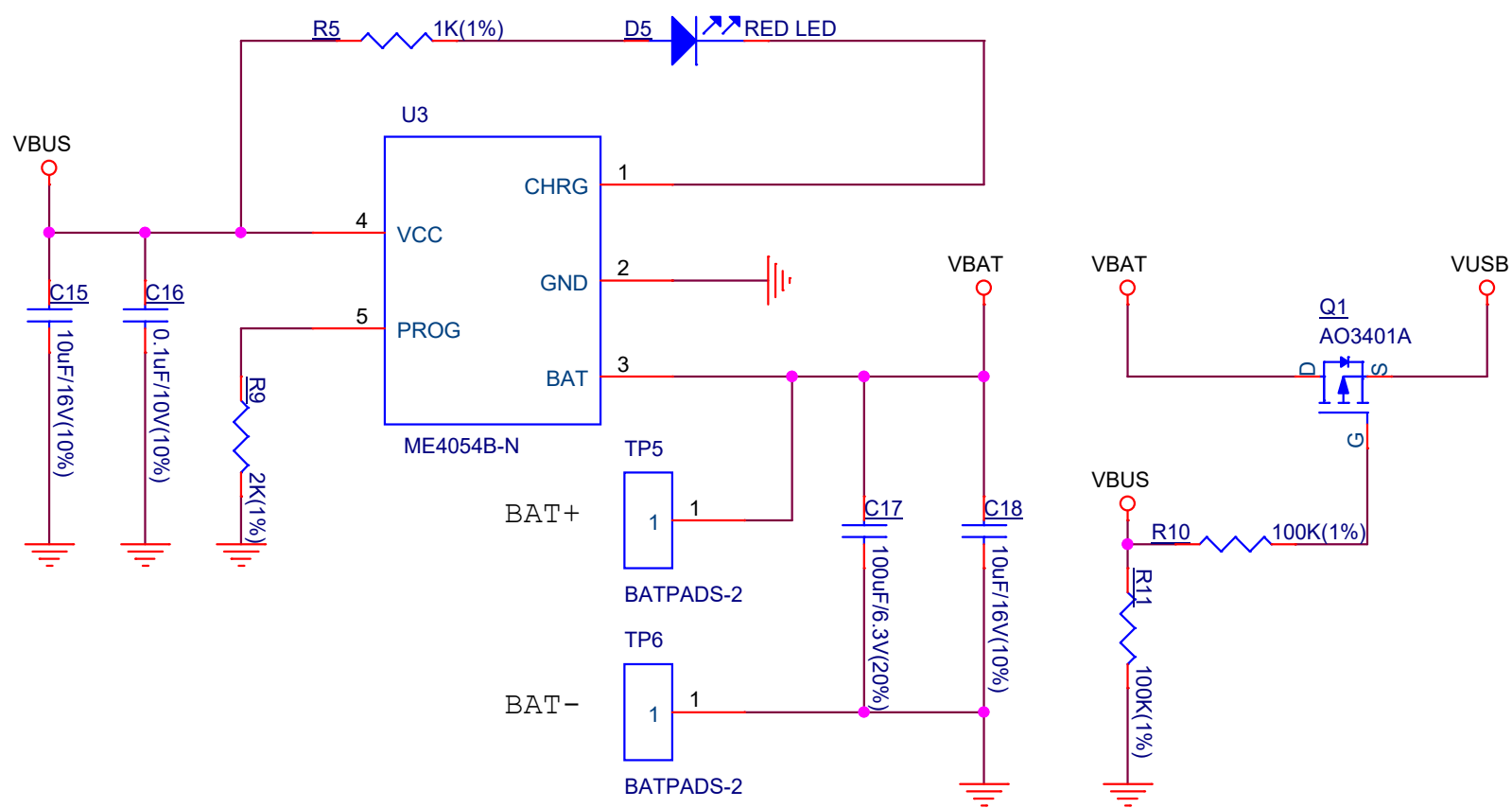
USB



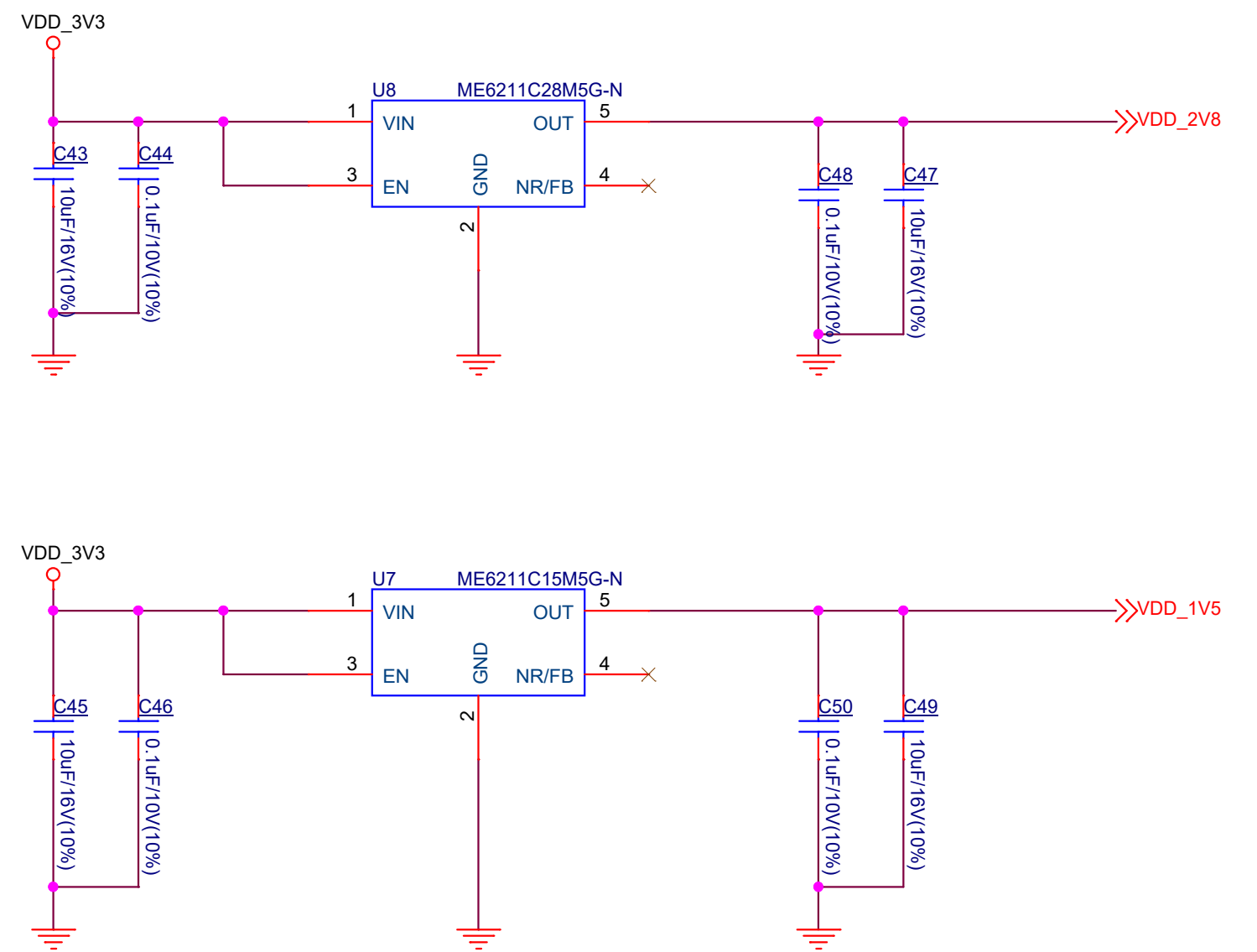
3V3 Buck DC/DC



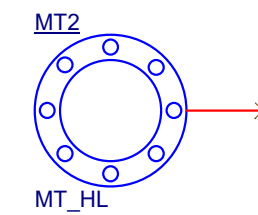
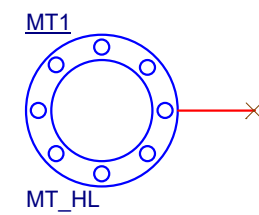
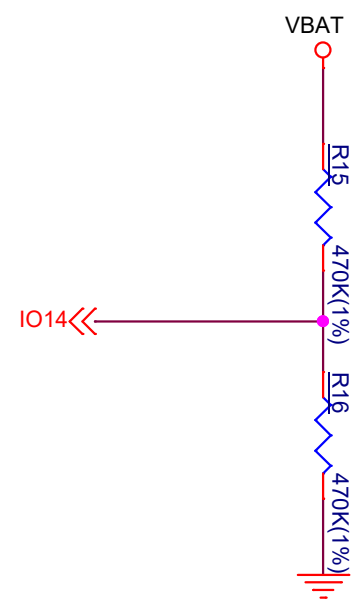
Charge circuit



Camera supplies:



Battery voltage detect



ESPRESSIF

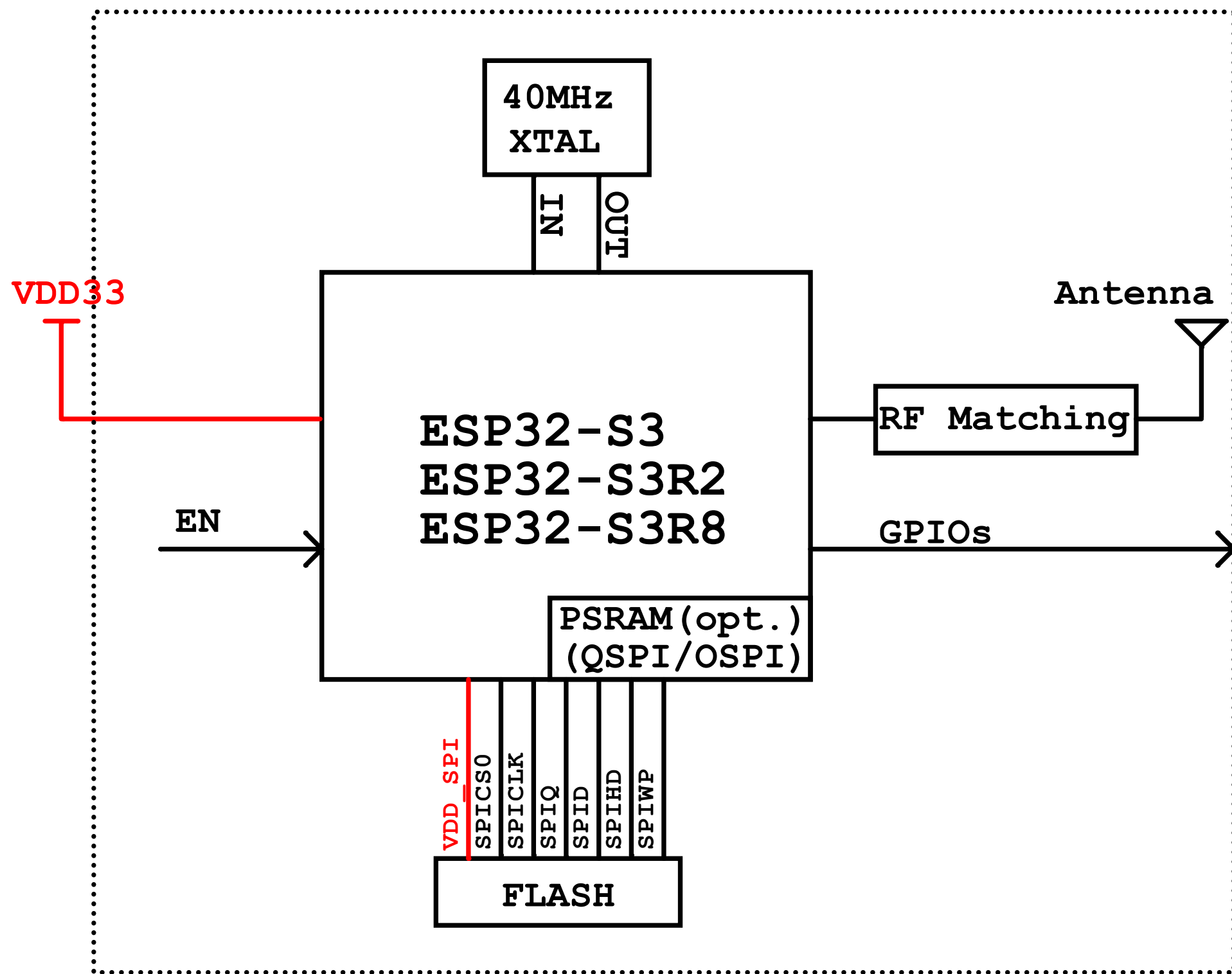
乐鑫信息科技(上海)股份有限公司

Title
ESP32-S3-EYE

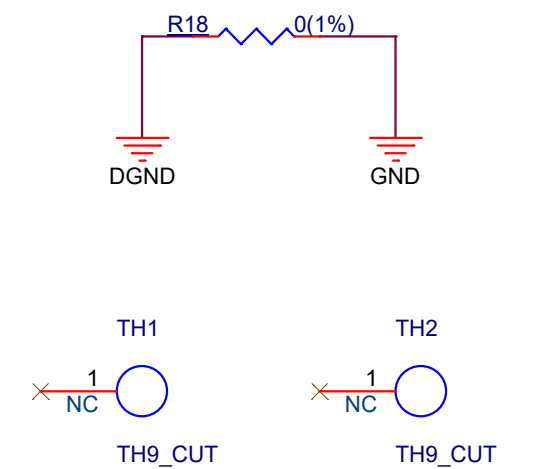
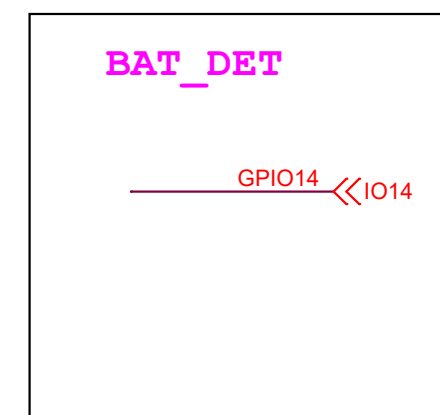
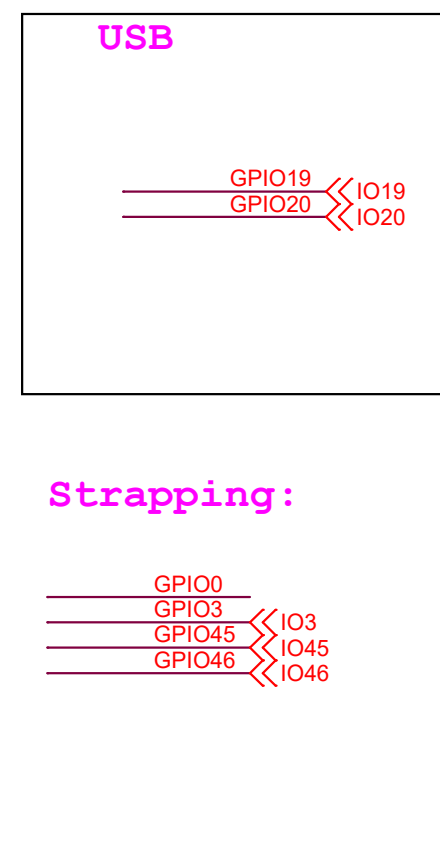
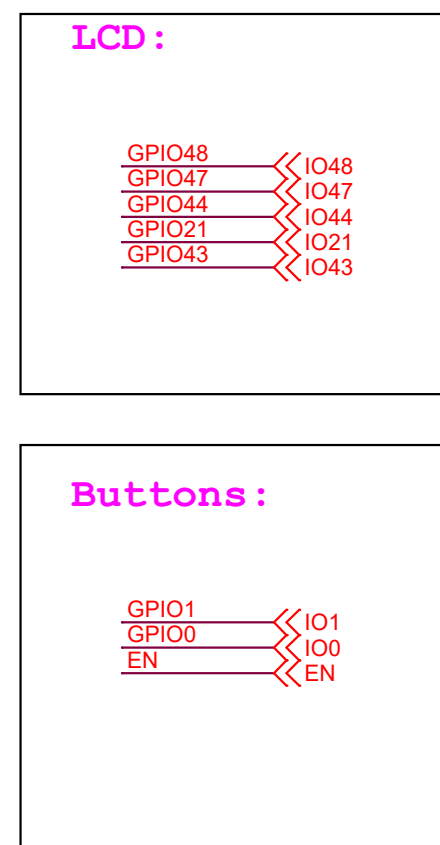
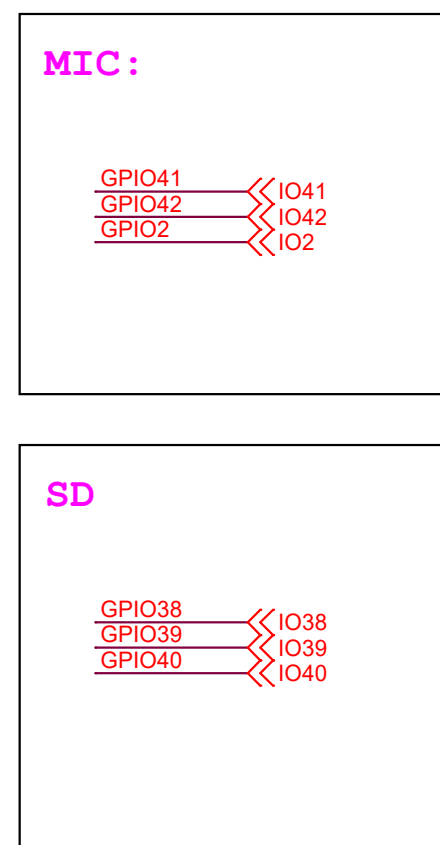
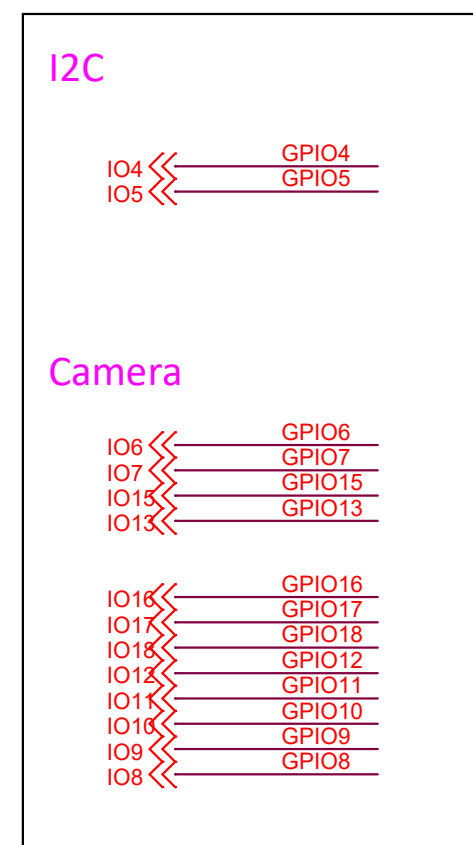
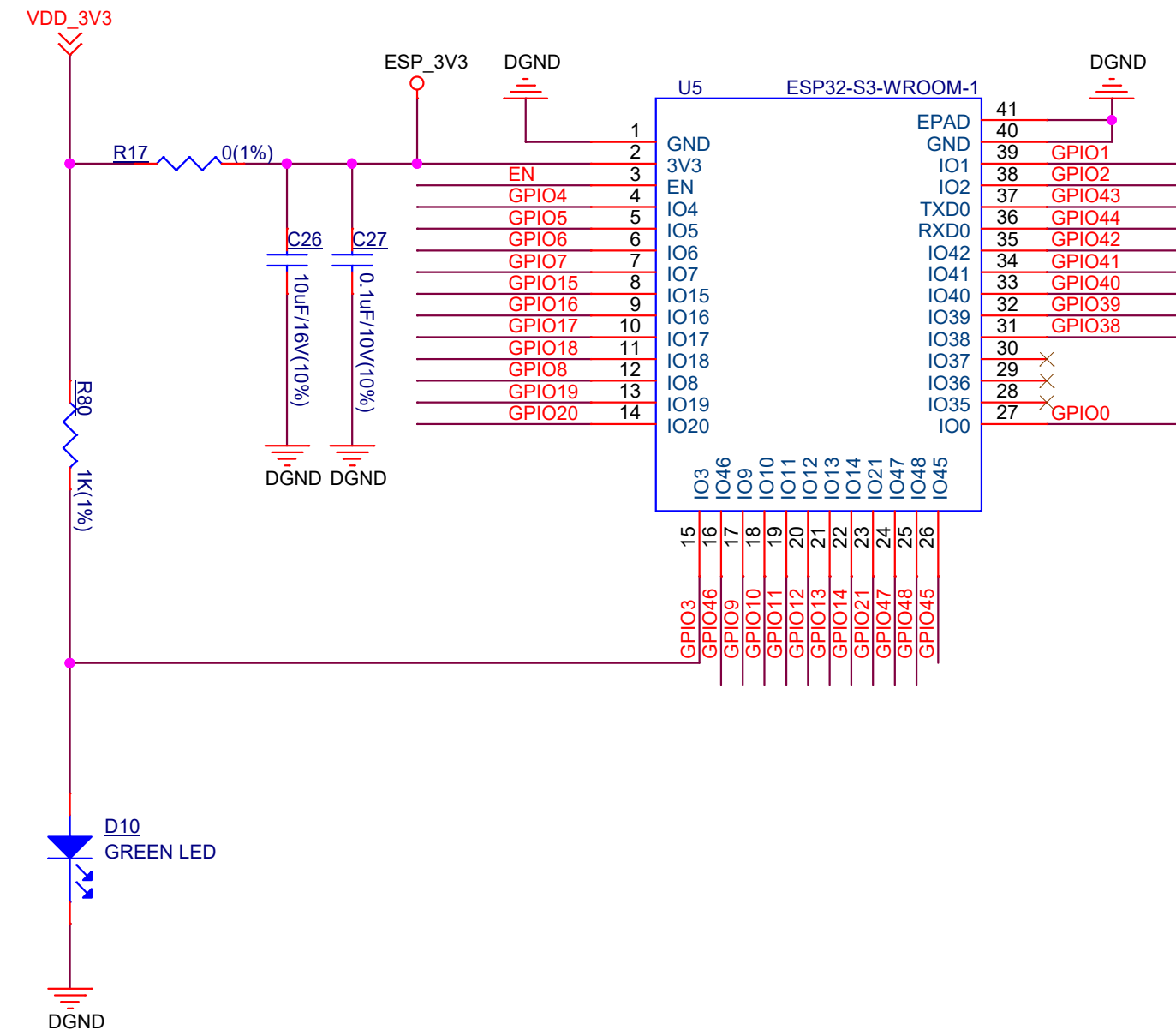
Size A3	Page Name 02_PowerSupplies	Rev 1.0	Proprietary
------------	-------------------------------	------------	-------------

Date: Thursday, November 11, 2021 Sheet 2 of 4

ESP32-S3-WROOM-1:



ESP32-S3-WROOM-1(pin-out)



ESPRESSIF			
乐鑫信息科技(上海)股份有限公司			
Title: ESP32-S3-EYE			
Size: A3	Page Name: 03_Module	Rev: 1.0	Proprietary
Date: Thursday, November 11, 2021	Sheet: 3	of 4	

