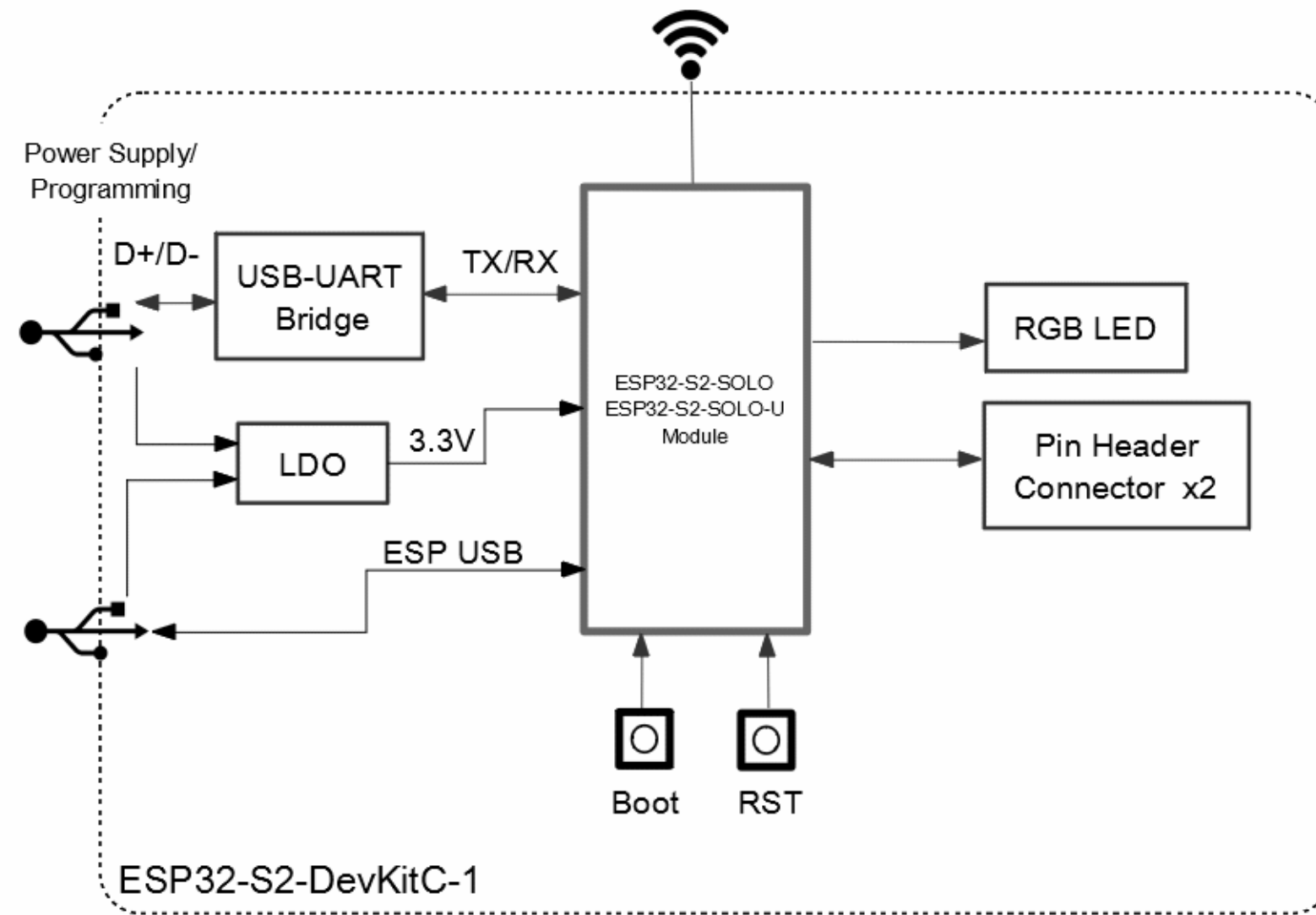
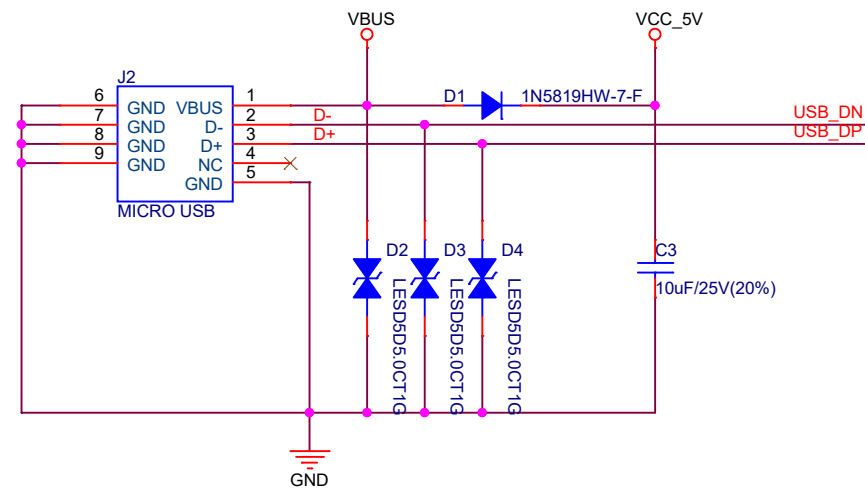


System Block:

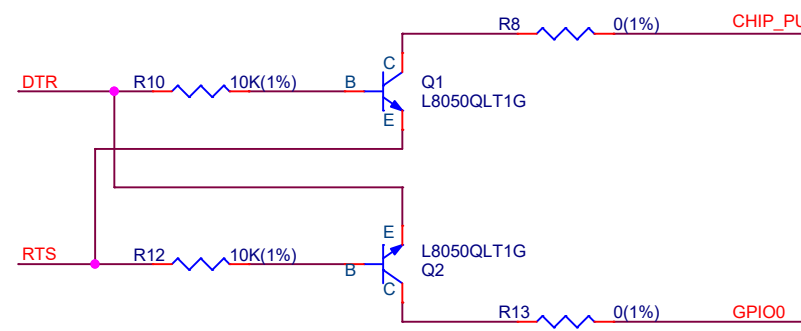
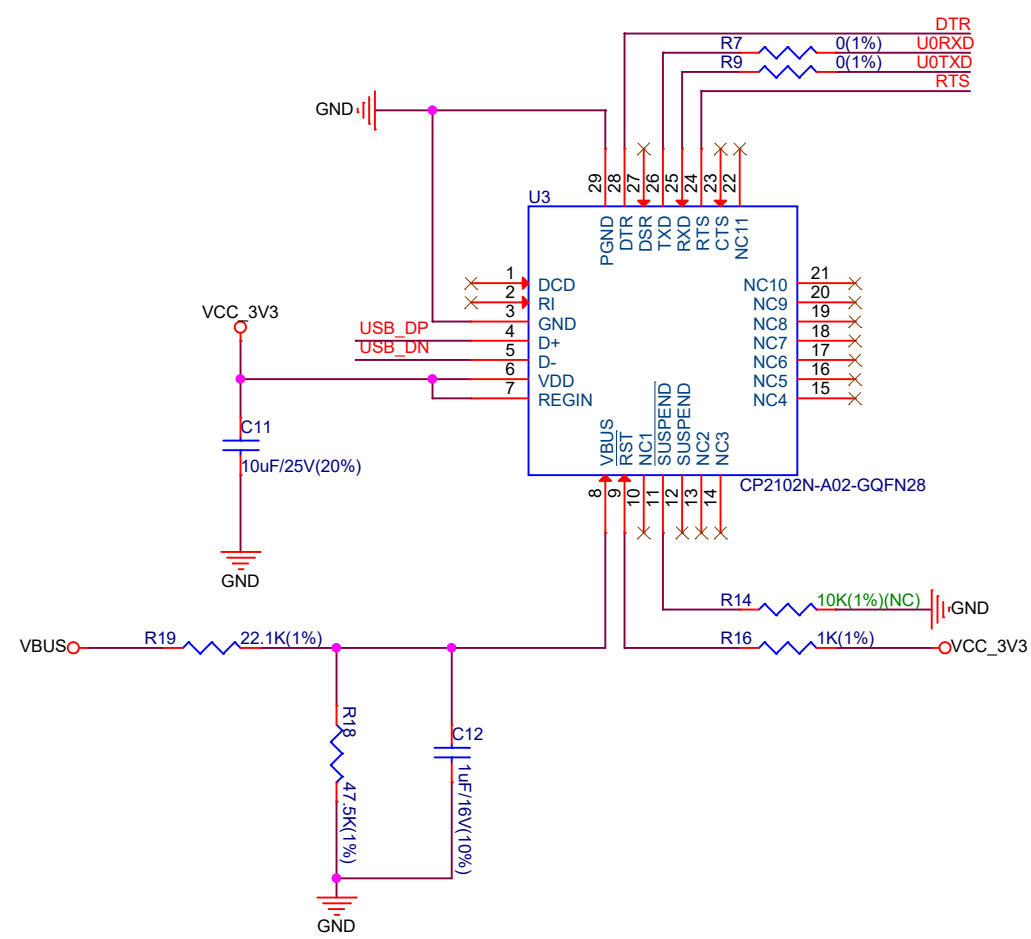
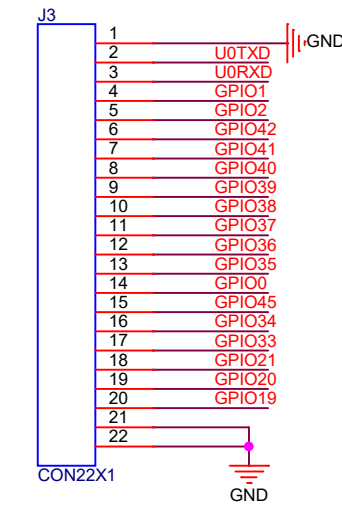
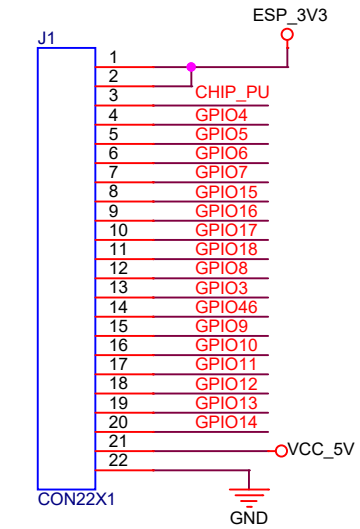
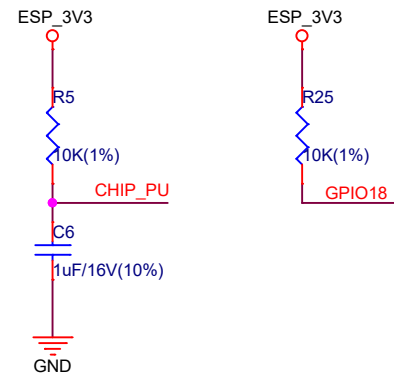
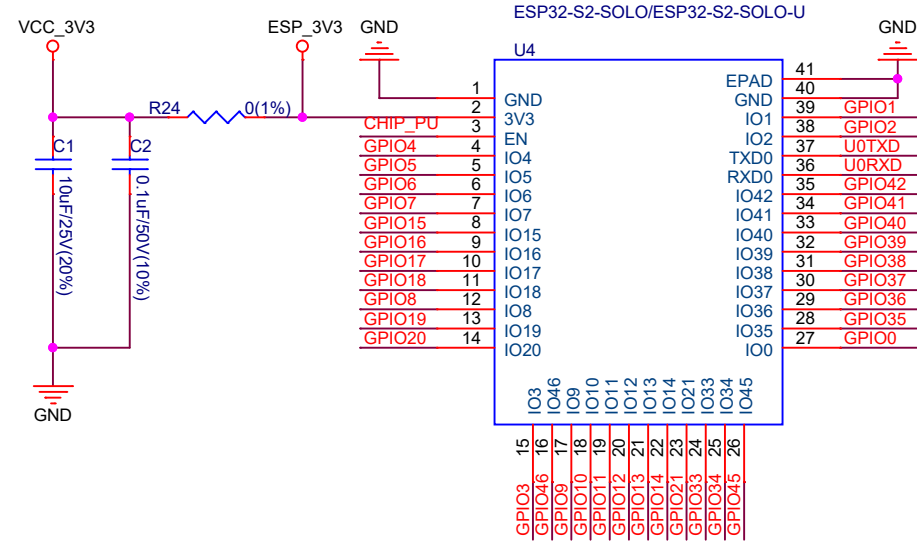
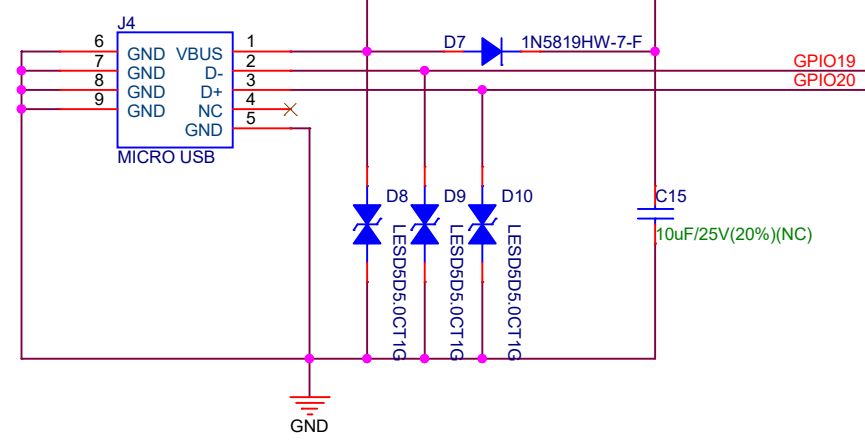


ESPRESSIF			
乐鑫信息科技(上海)股份有限公司			
Title ESP32-S2-DevKitC-1			
Size	Document Number	Rev	
C	<01_DesignBlock>	V1.0	
Date: Monday, May 10, 2021		Sheet	1 of 2

USB to UART:

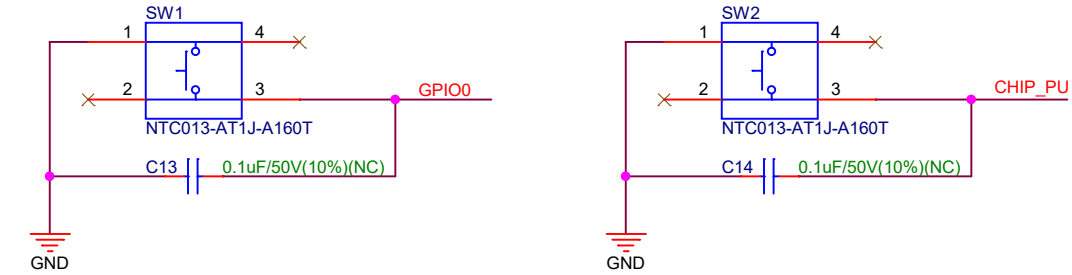
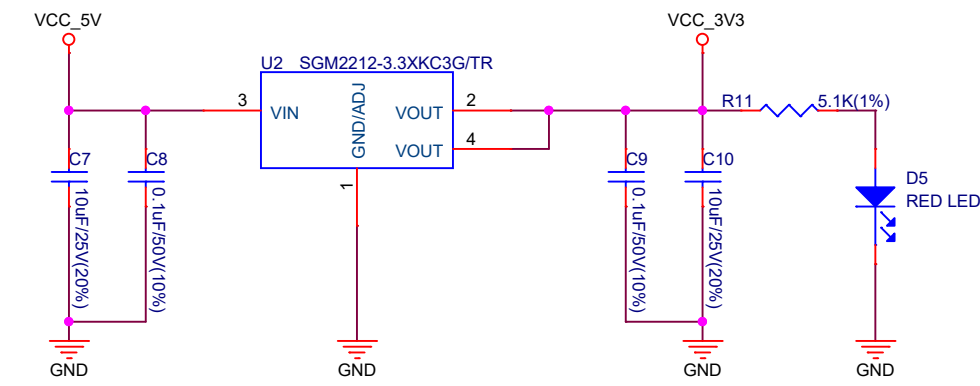
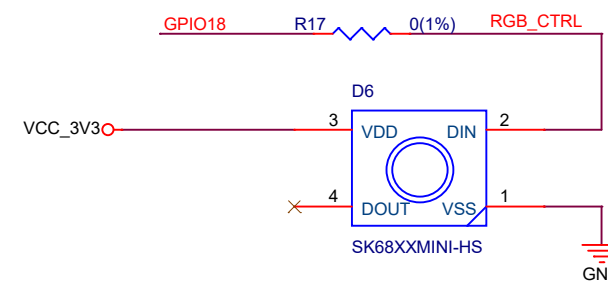


ESP USB:



Auto program

DTR	RTS	->EN	IO0	IO2
1	1	1	1	1
0	0	1	1	1
1	0	0	1	1
0	1	1	0	0



ESPRESSIF

乐鑫信息科技(上海)股份有限公司

Title
ESP32-S2-DevKitC-1

Size
C Document Number
02_ESP32-S2-DevKitC-1

Date: Monday, May 10, 2021 Sheet 2 of 2 Rev V1.0