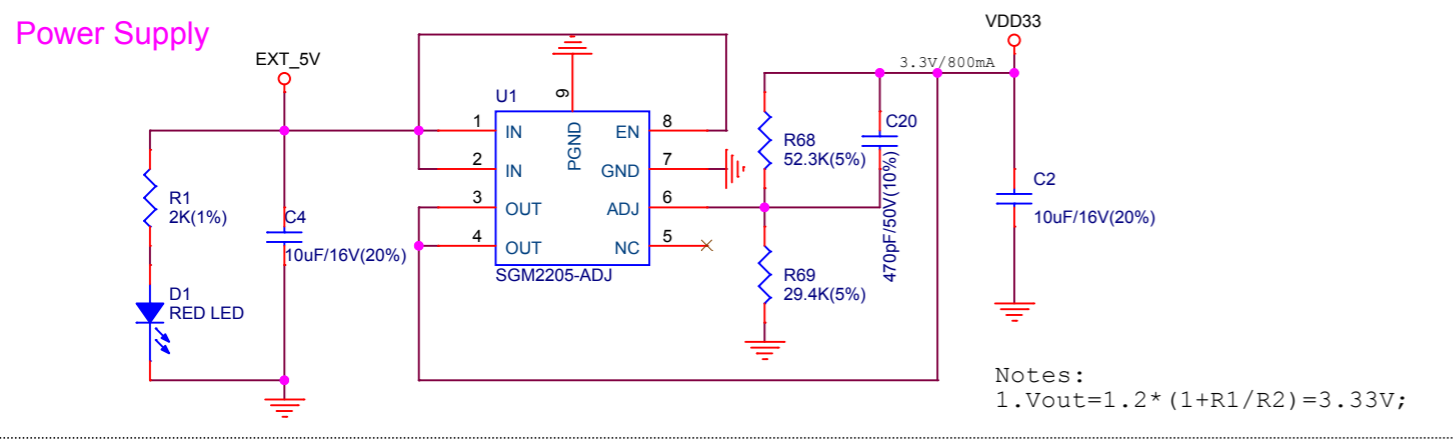
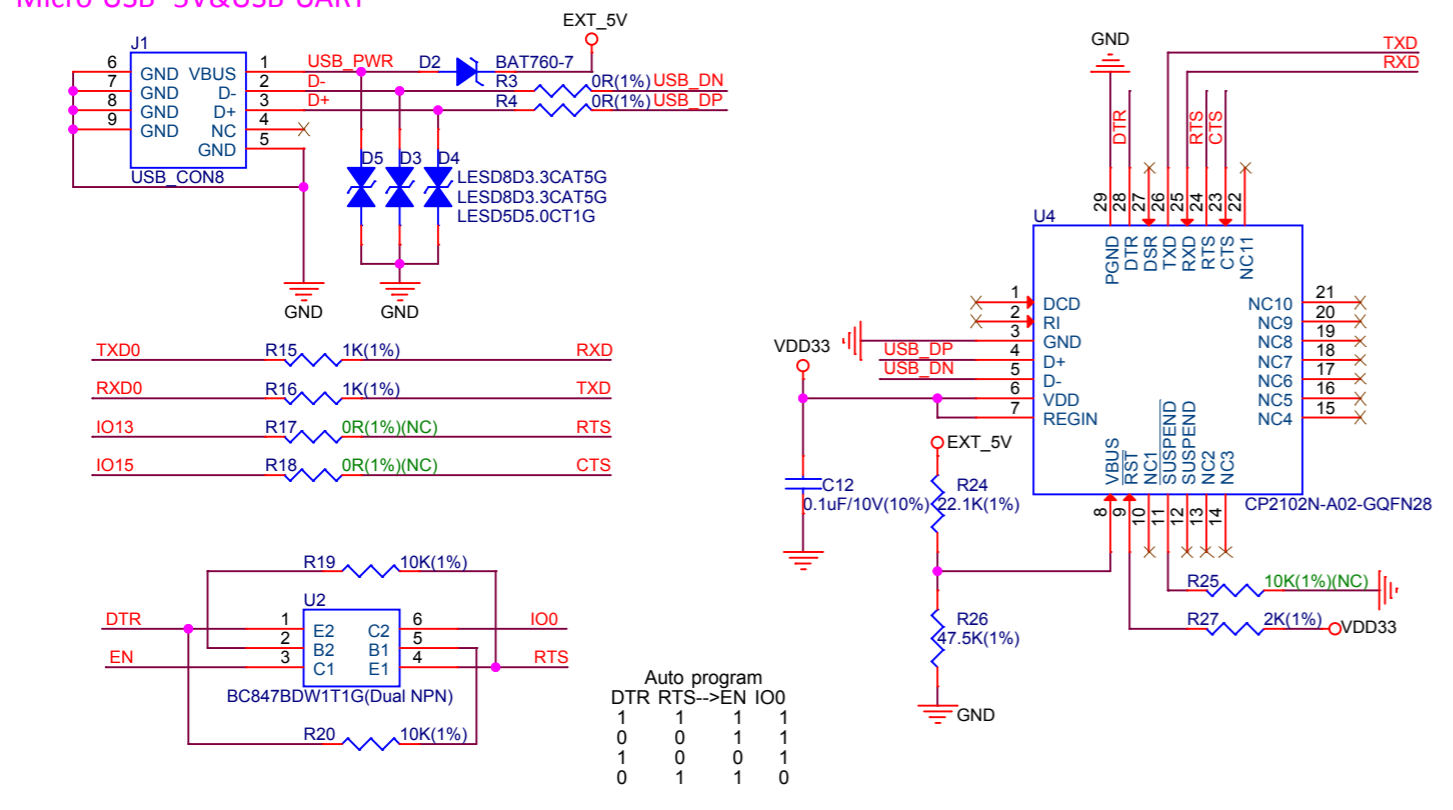


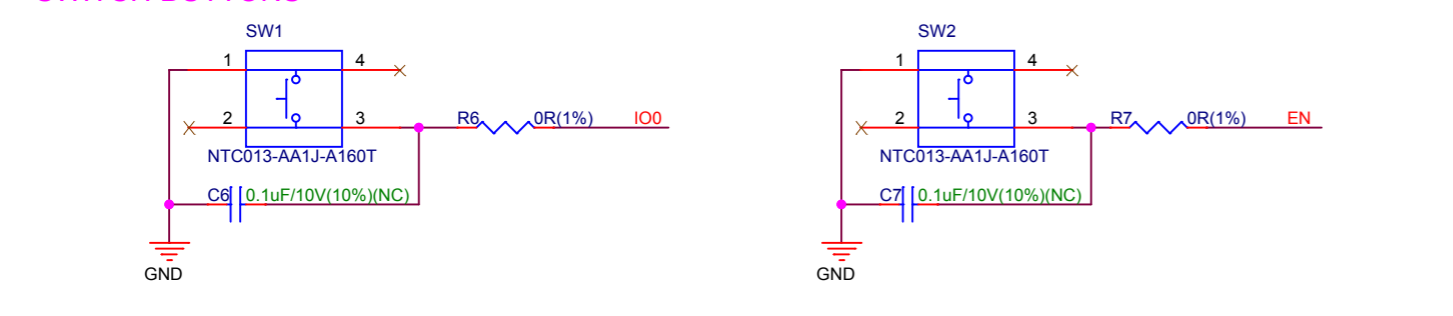
Power Supply



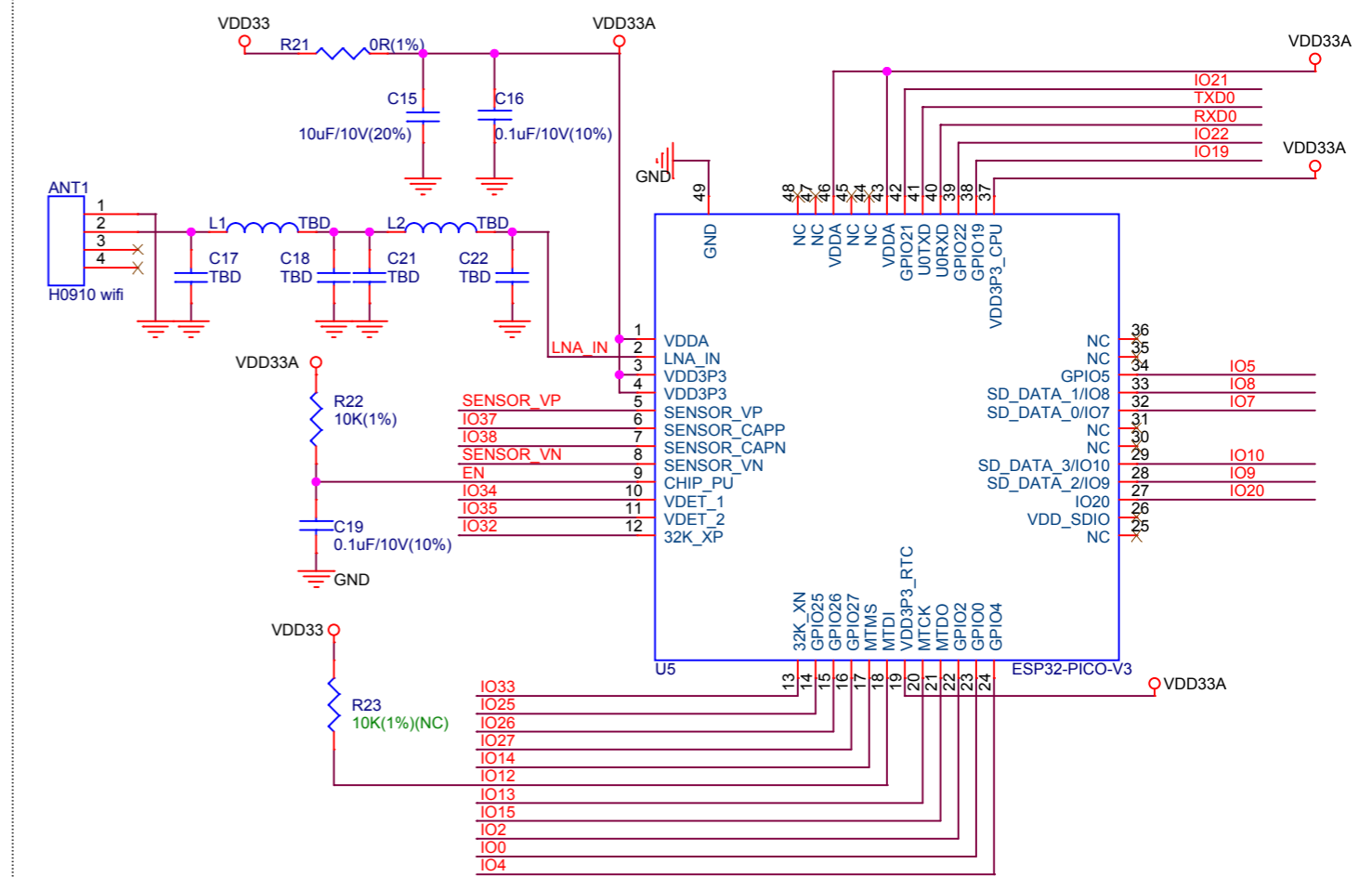
Micro USB 5V&USB-UART



SWITCH BUTTONS



ESP32



Connector

