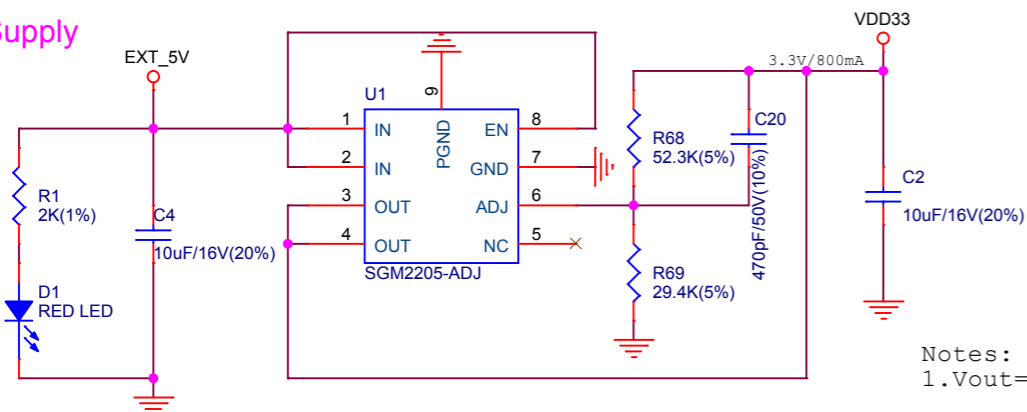
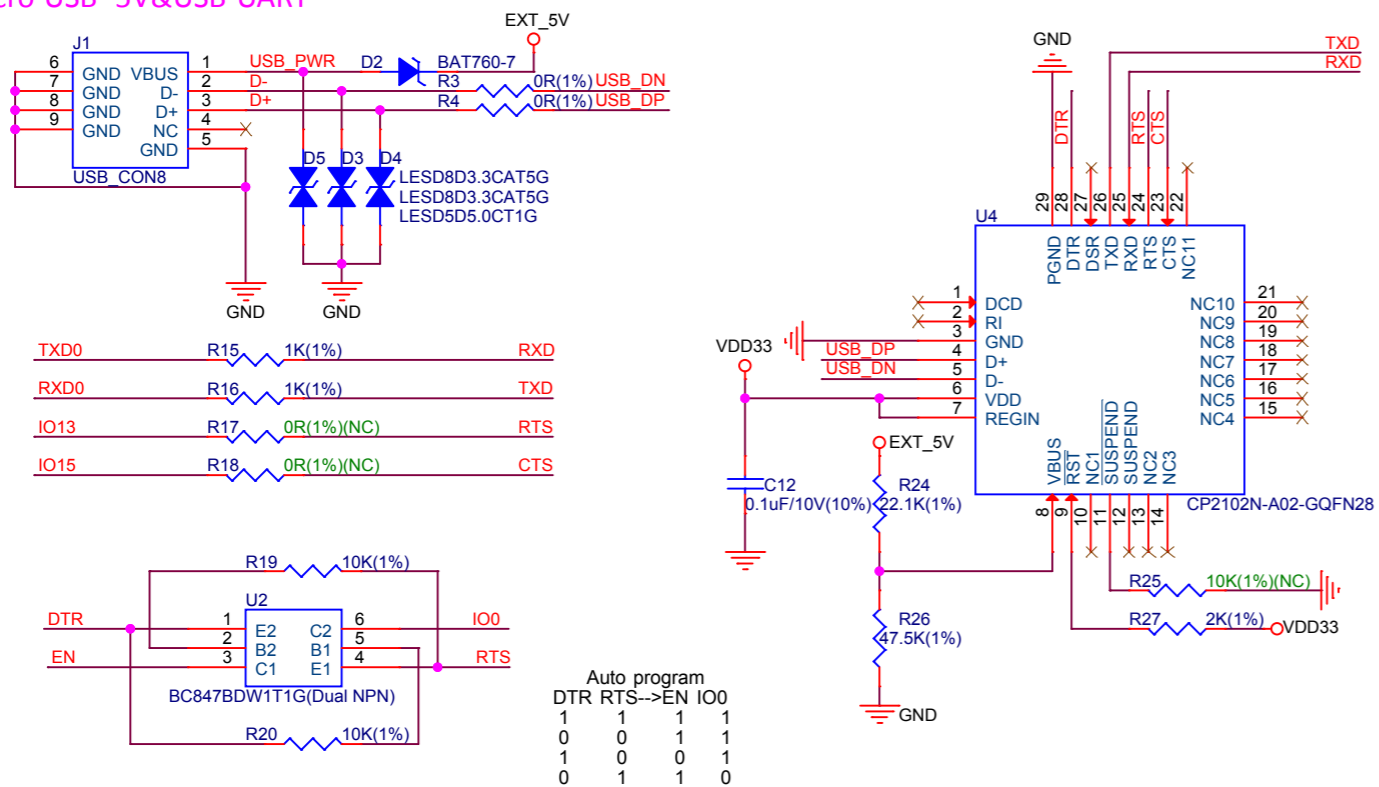


Power Supply

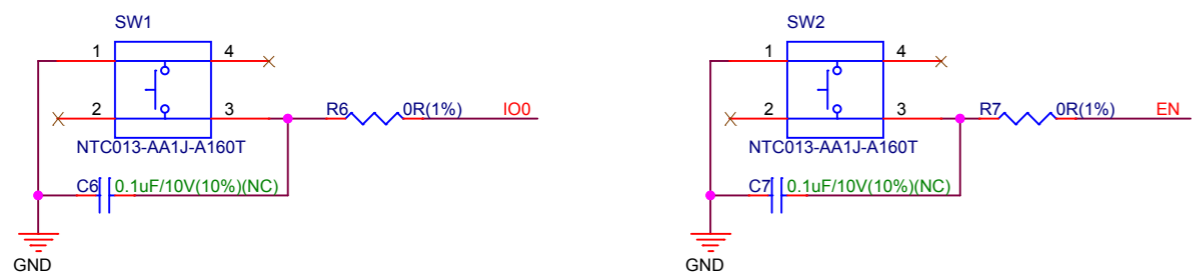


Notes:
 $1. V_{out} = 1.2 * (1 + R1/R2) = 3.33V;$

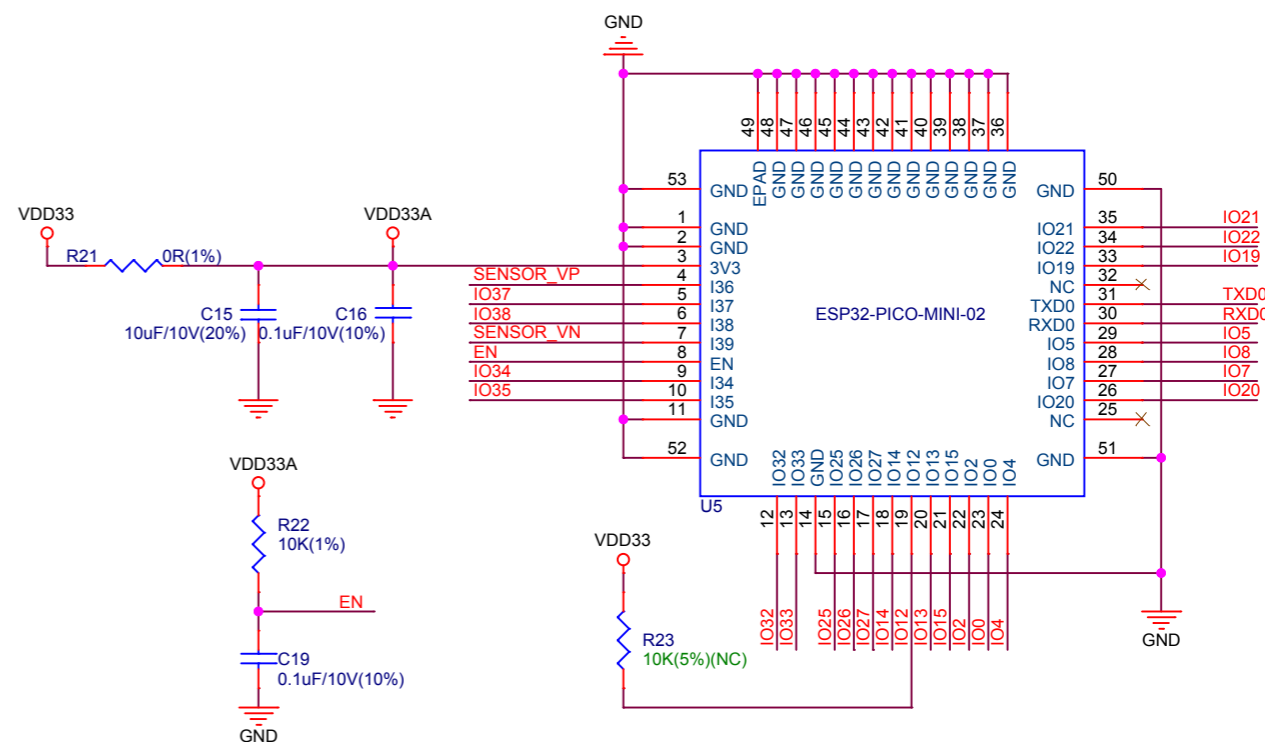
Micro USB 5V&USB-UART



SWITCH BUTTONS



ESP32



Connector

