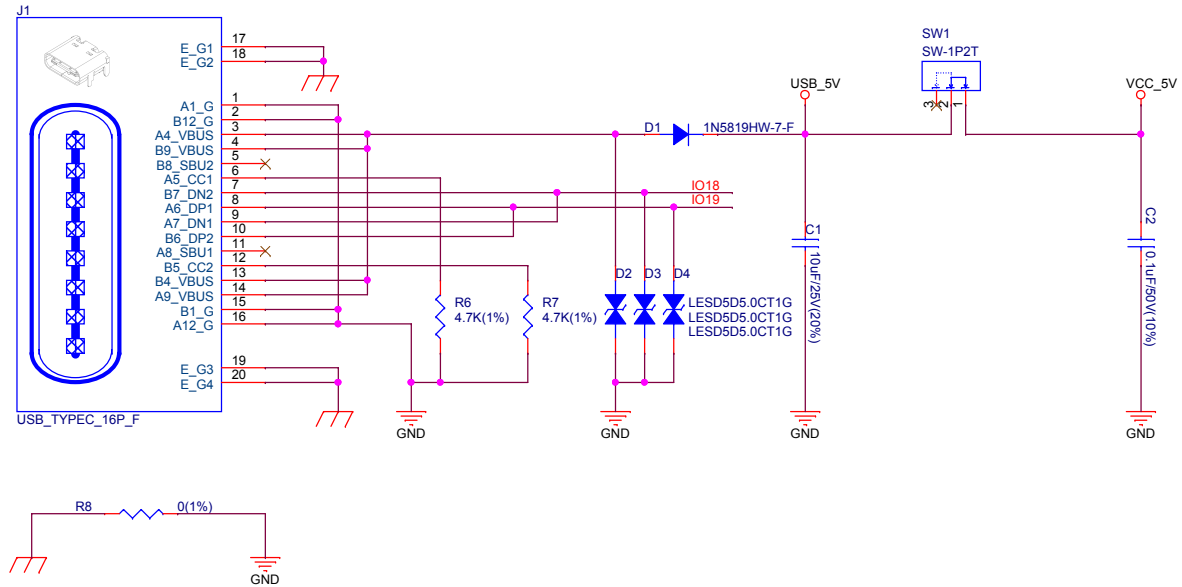
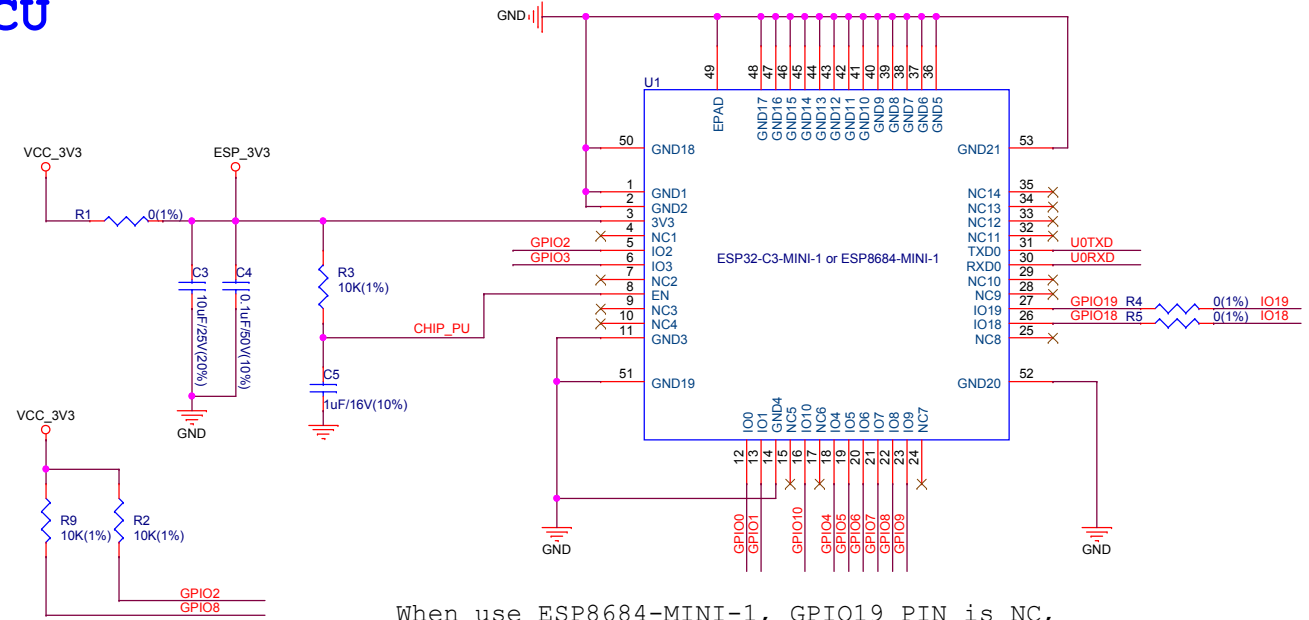


ESPRESSIF			
乐鑫信息科技(上海)股份有限公司			
Title ESP32-C3-LCD-Ev MB			
Size A	Page Name Overview	Rev 1.0	Confidential and Proprietary
Date:	Monday, December 12, 2022	Sheet	1 of 2

USB

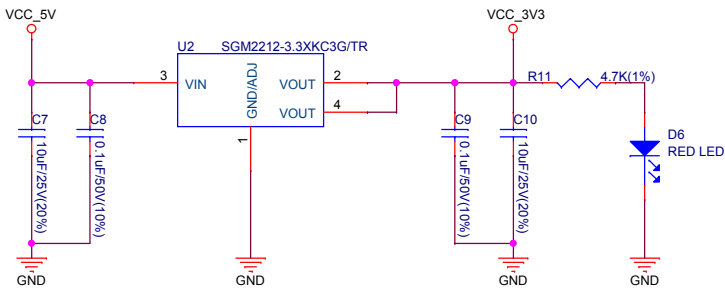


MCU

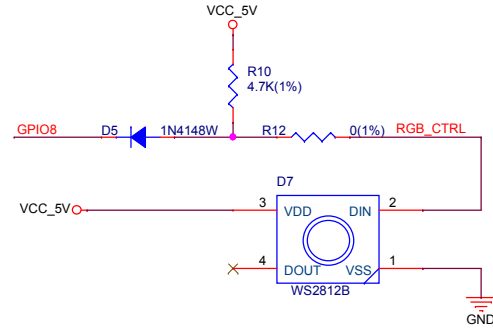


When use ESP8684-MINI-1, GPIO19 PIN is NC, USB function is not supported. R4 will be NC; R2 will be NC.

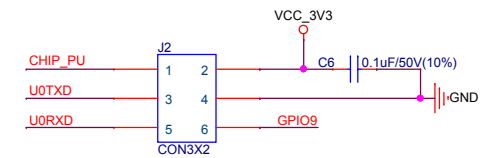
3V3 LDO



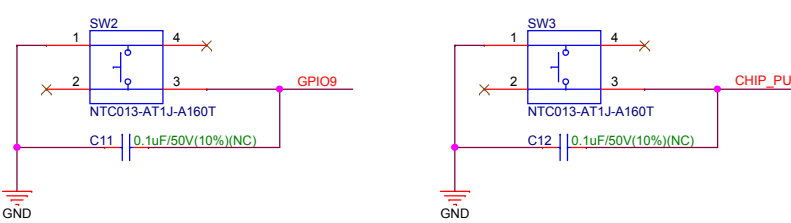
RGB LED



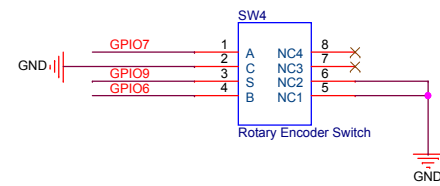
PROG-6PIN/1.27mm



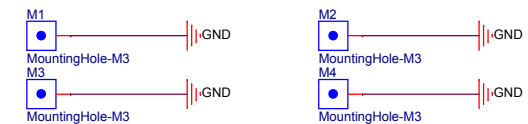
BUTTON



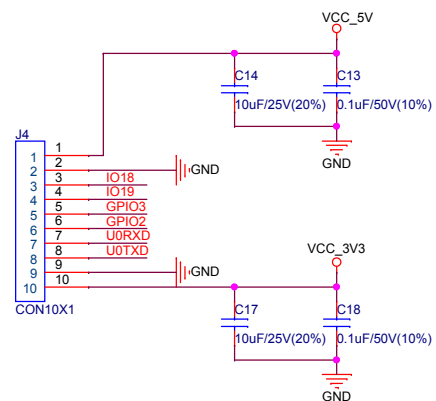
KNOB SW



Mounting Holes



RSVD Connector



SPI LCD Connector

