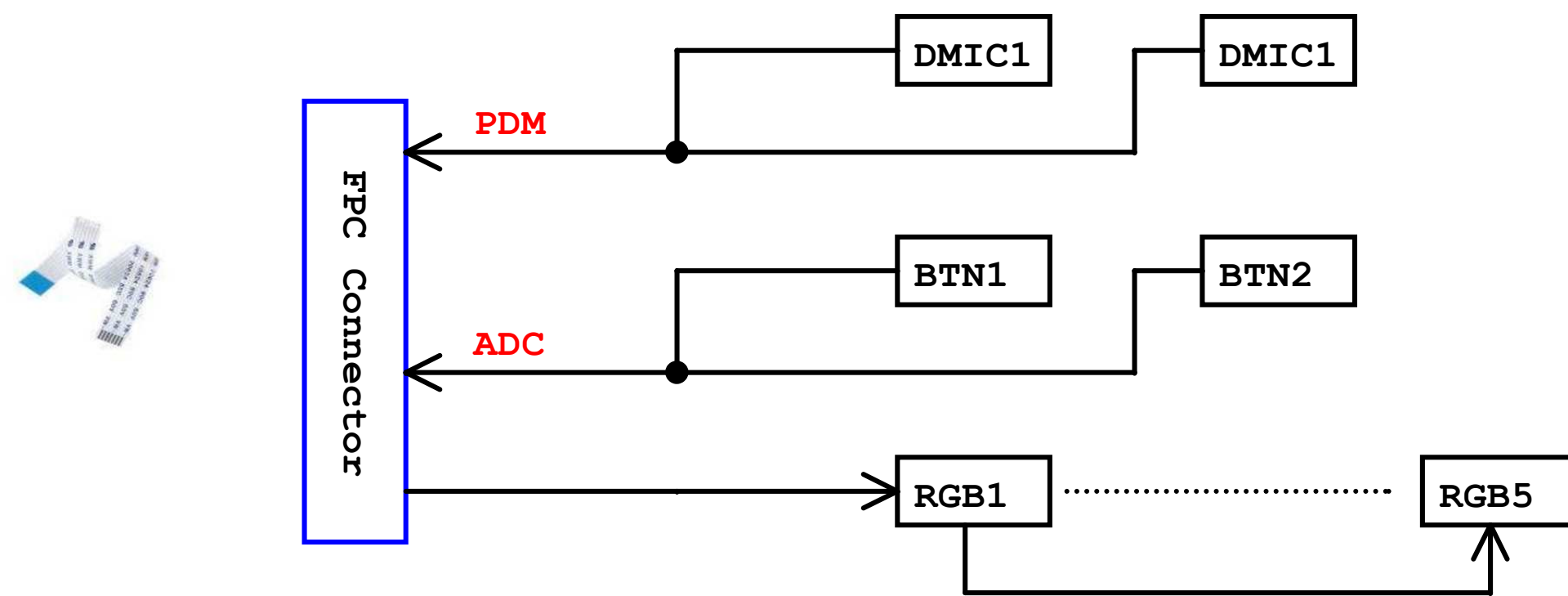
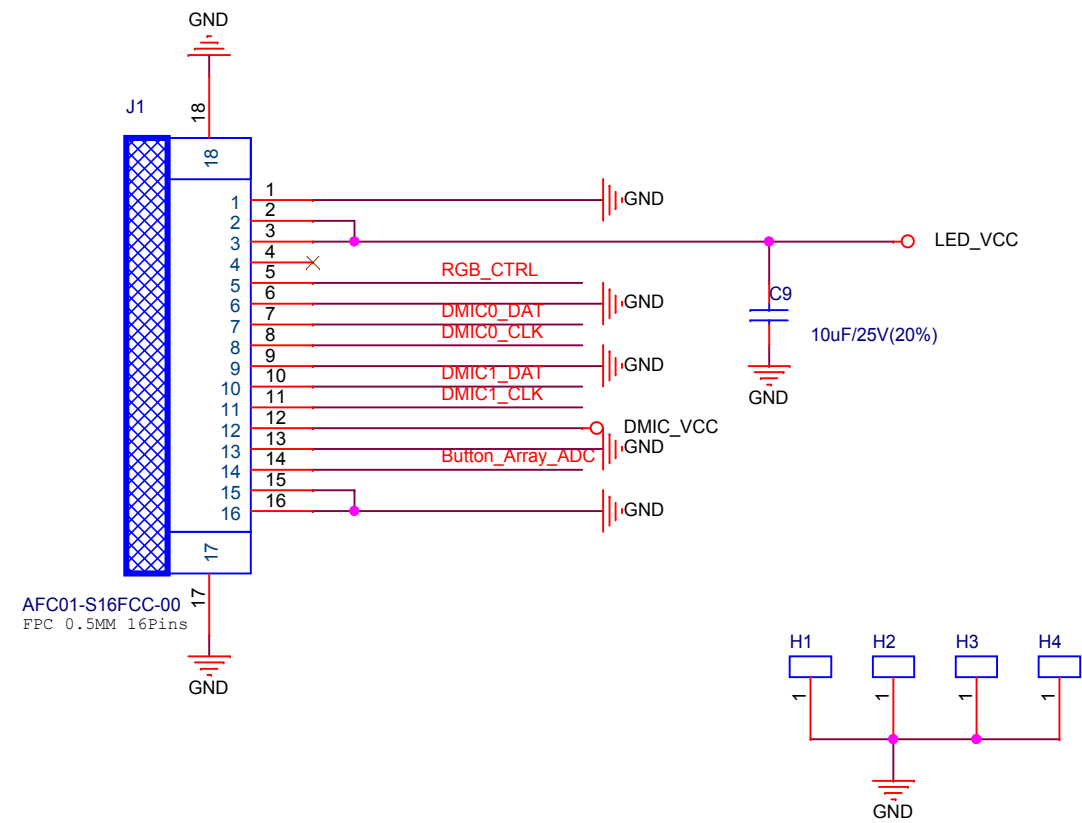


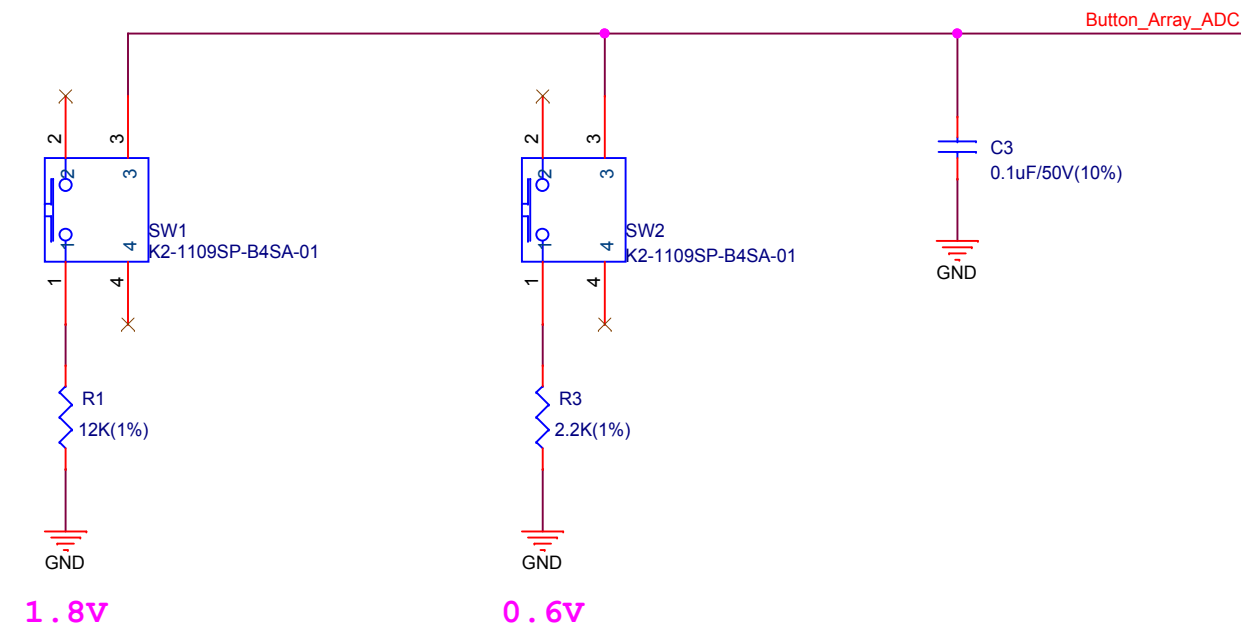
System Block:





- Notes:
1. Default, we use VDD33(power on mainboard) to power LEDs, thus we can save one Power Regulator.
 2. Attention, DMIC_CLK/DAT is derived from DSP, and it is 1.8V.
 3. Pull-up resistor for Button_Array_ADC is populated on main-board.

KEY Array:



DMIC Array:

