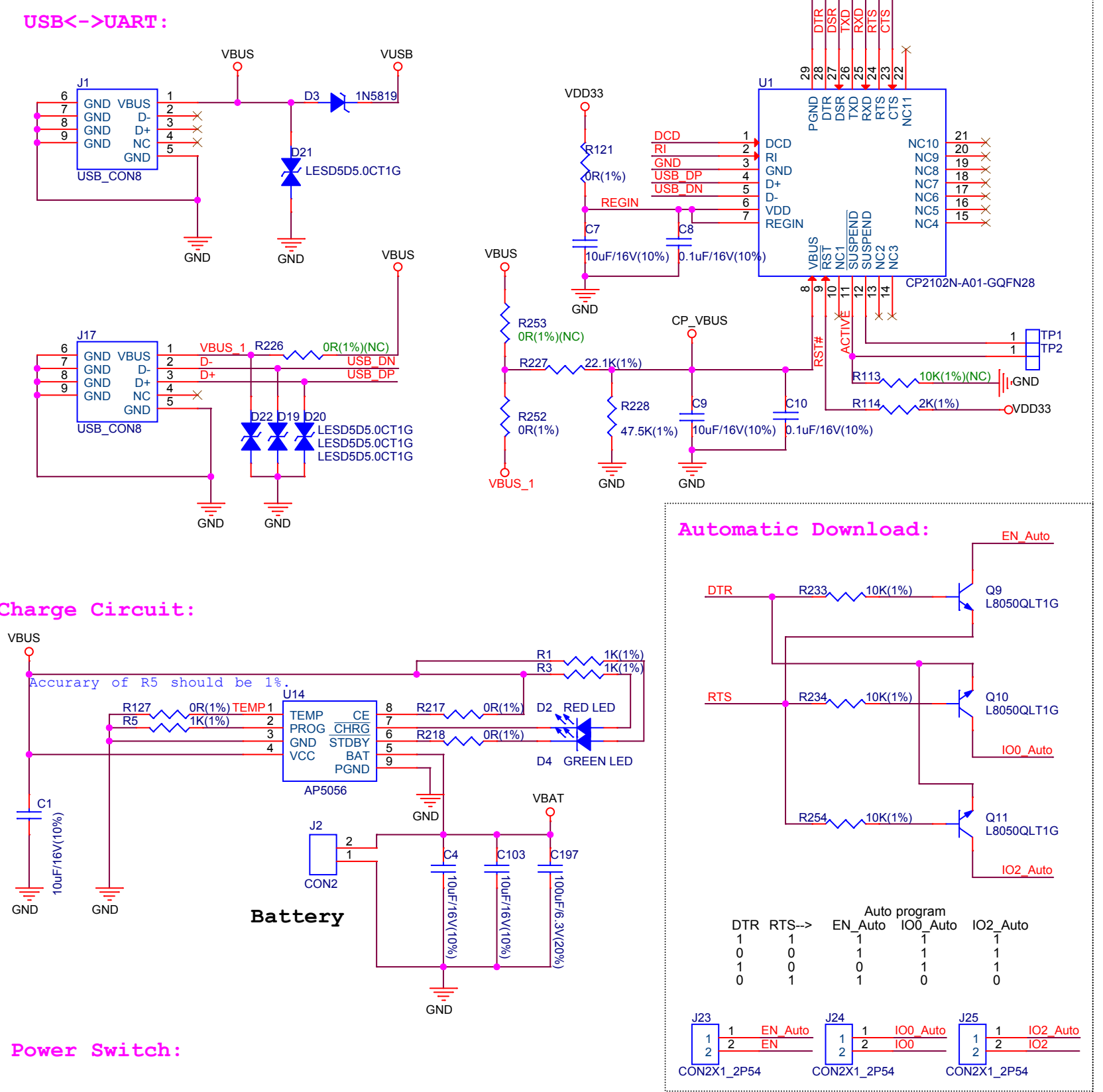
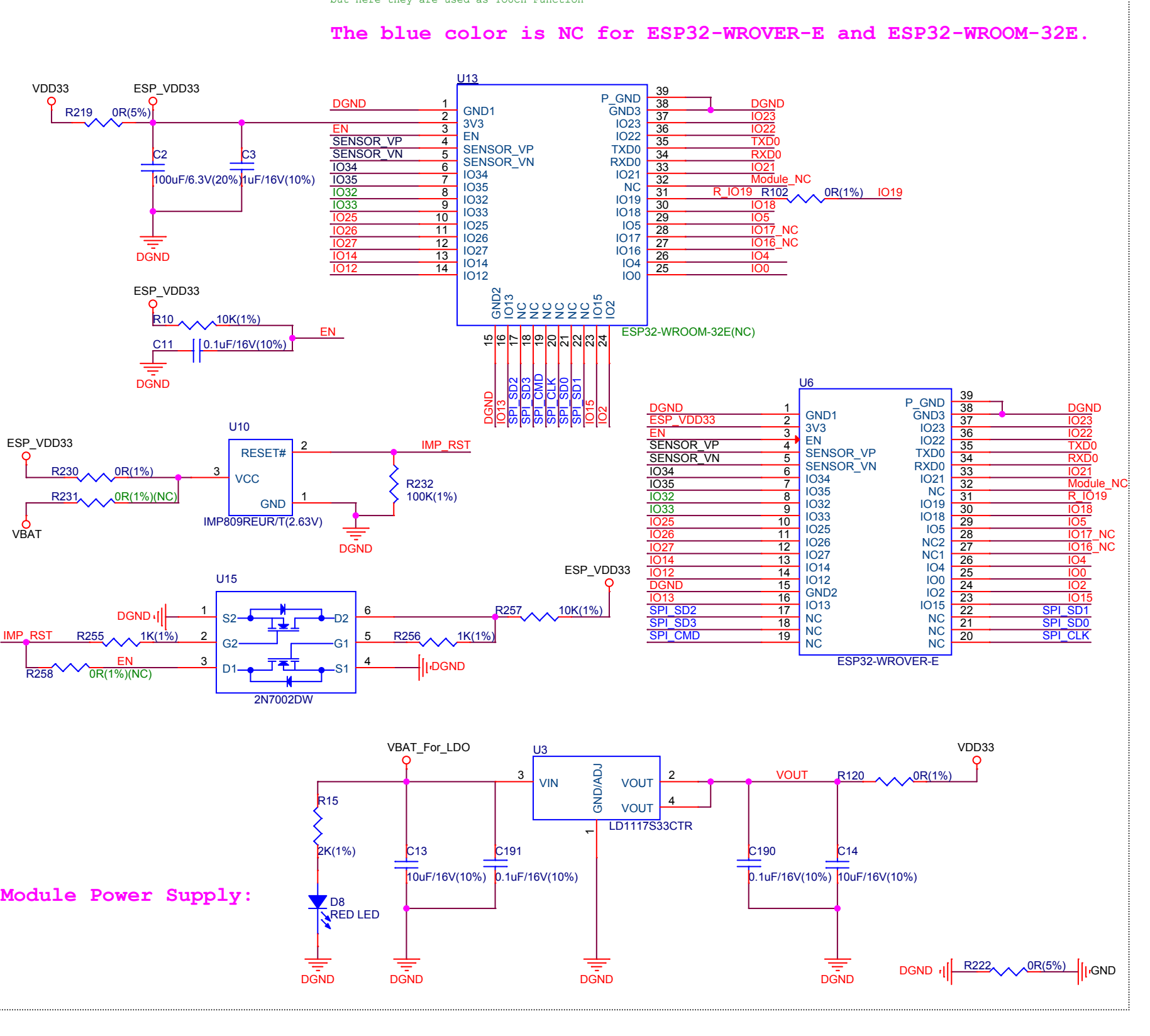


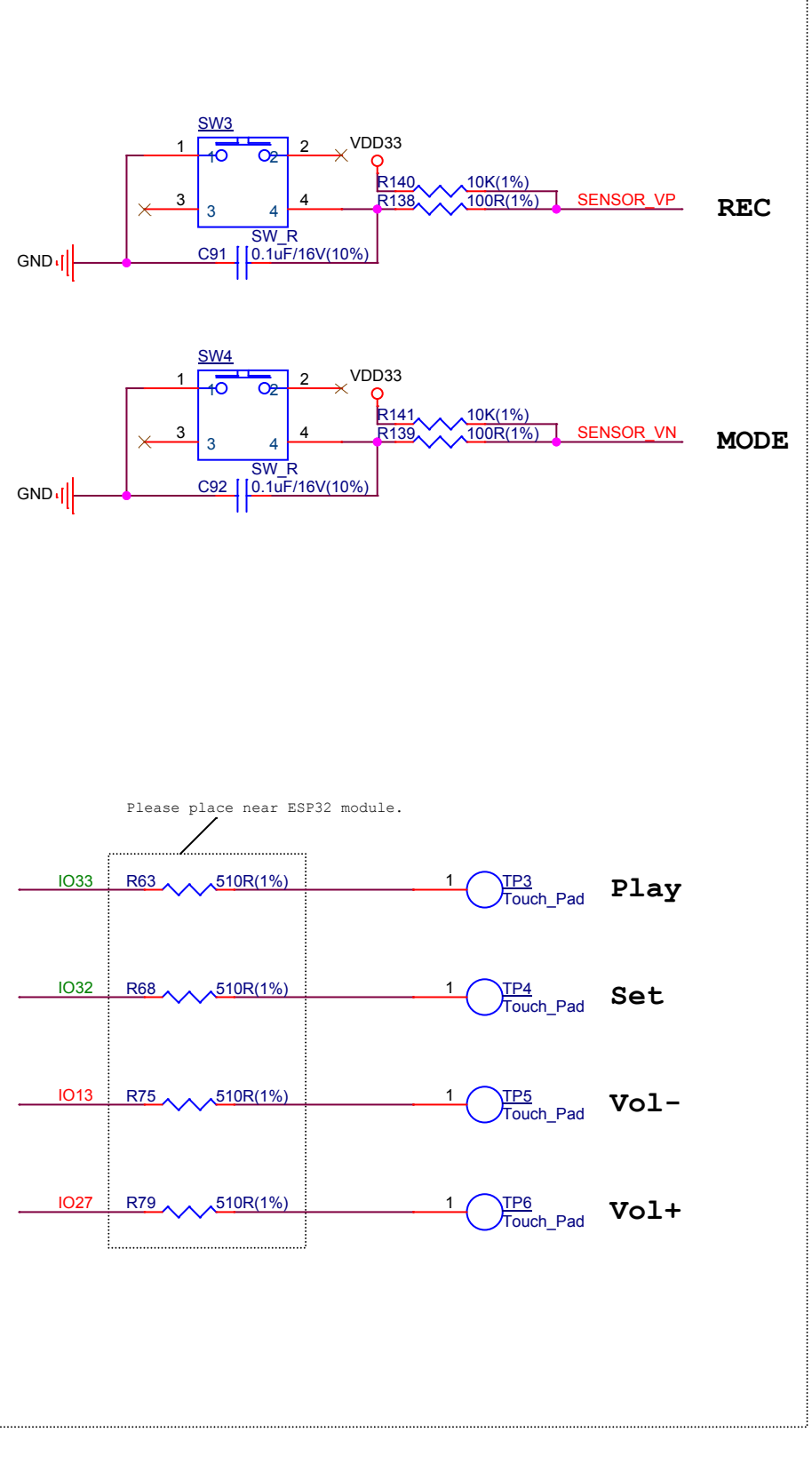
Power System:



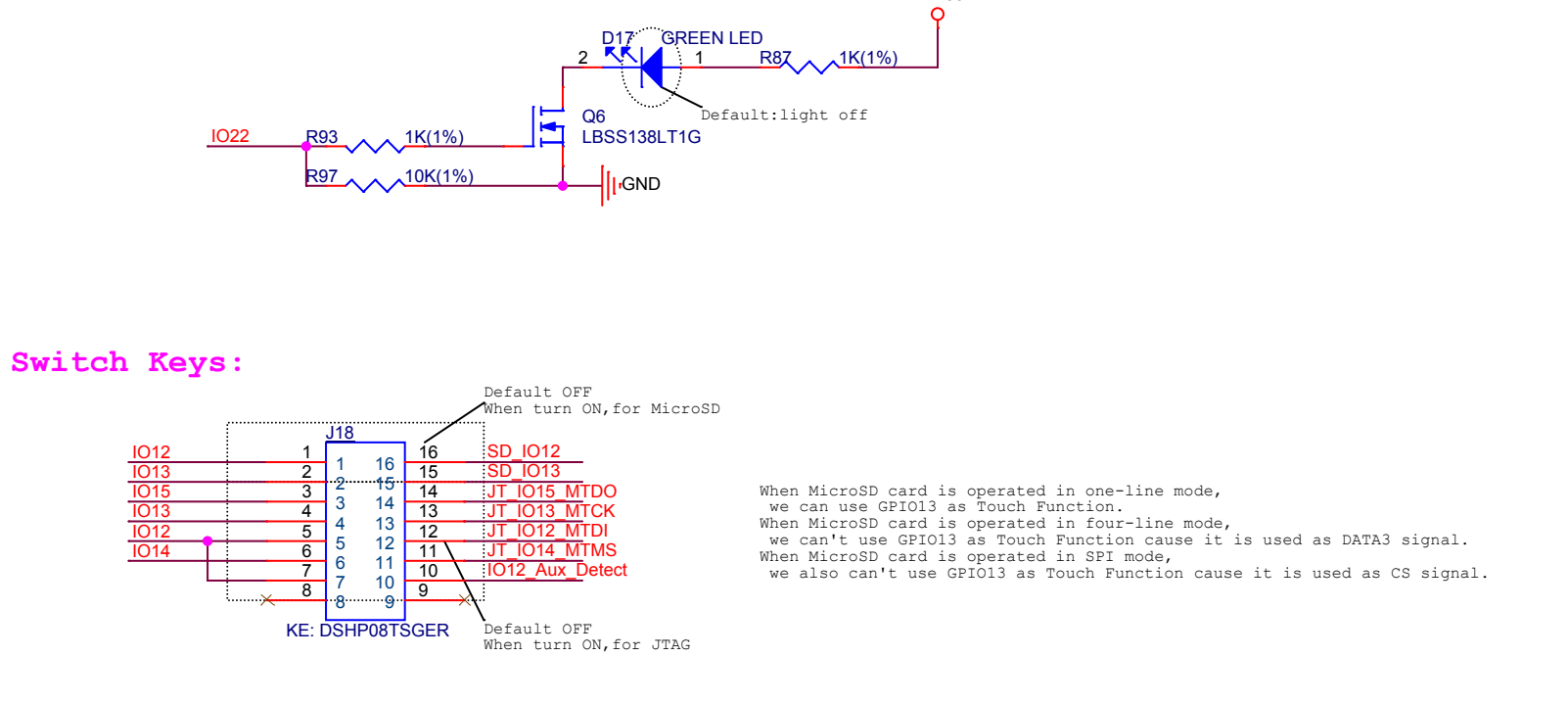
Digital System:



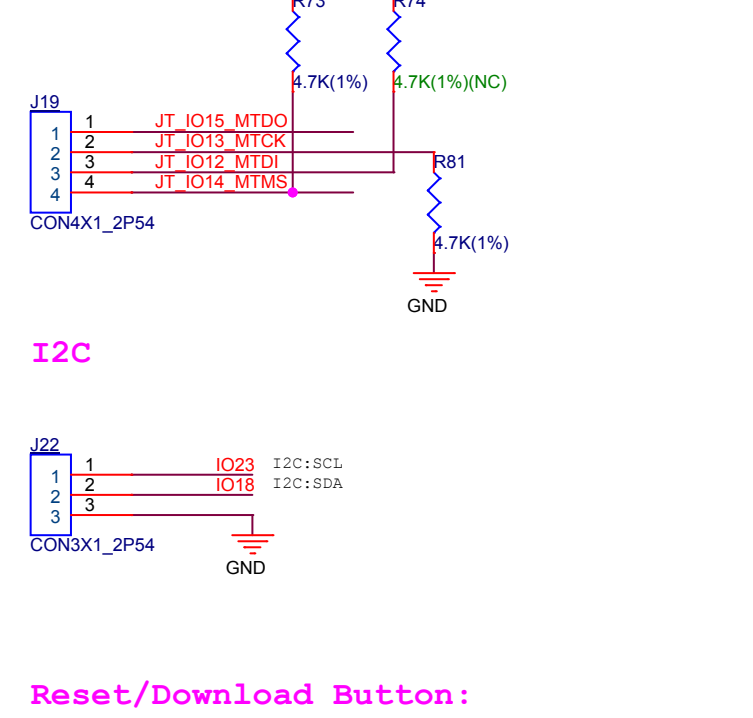
4-Touch-Pads & 2-Keys:



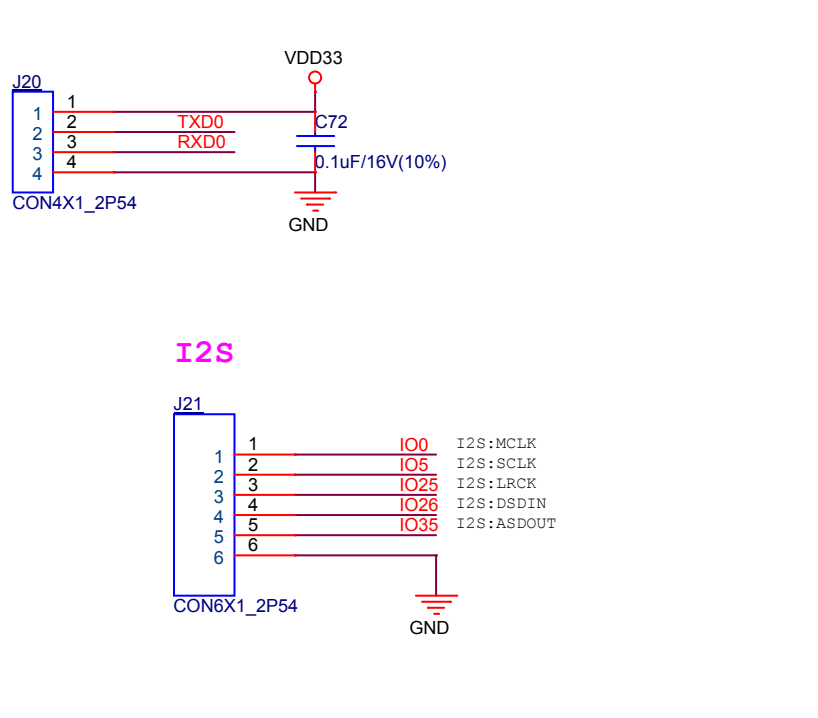
LEDs:



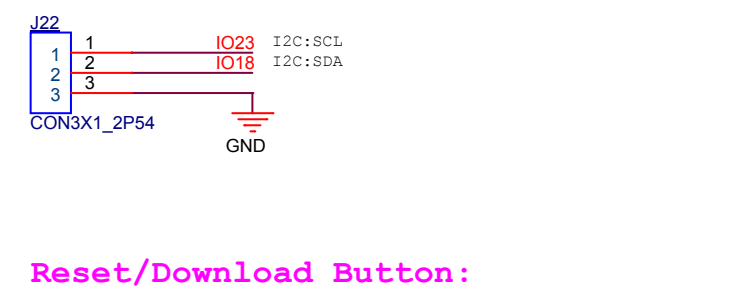
JTAG



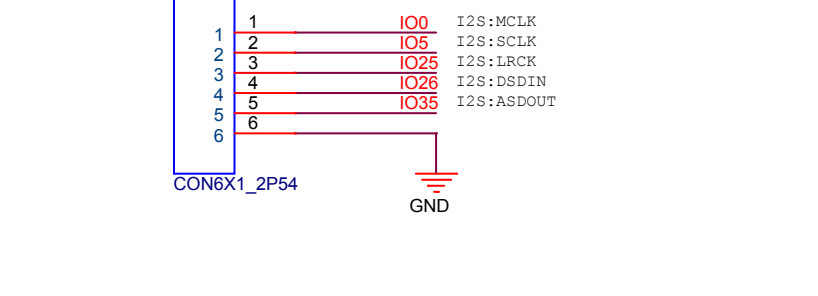
UART



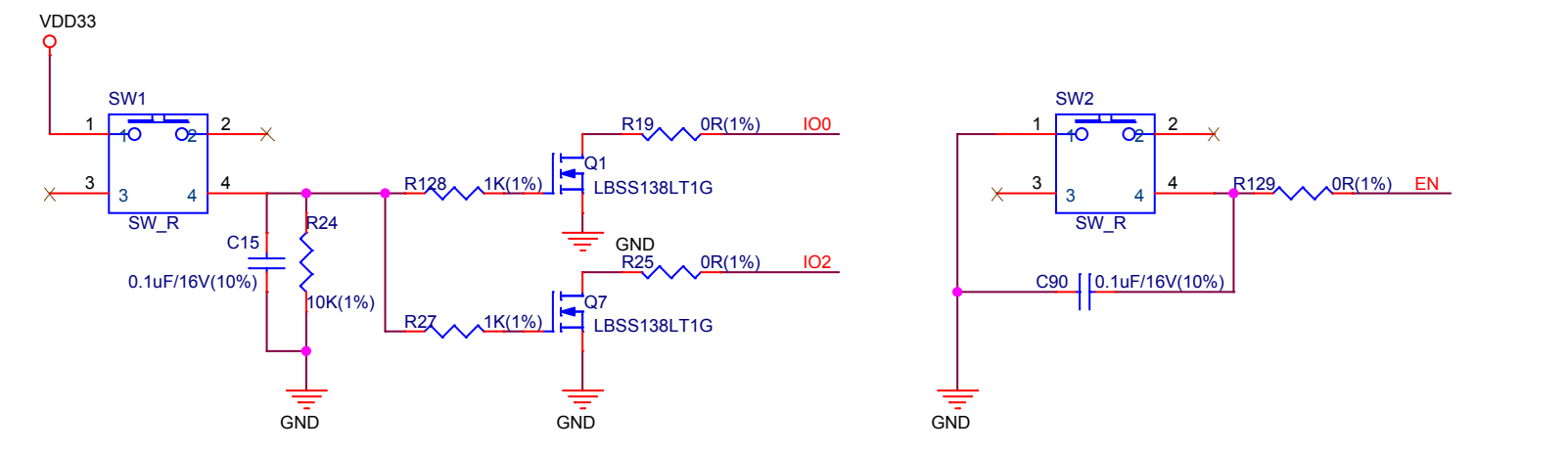
I2C



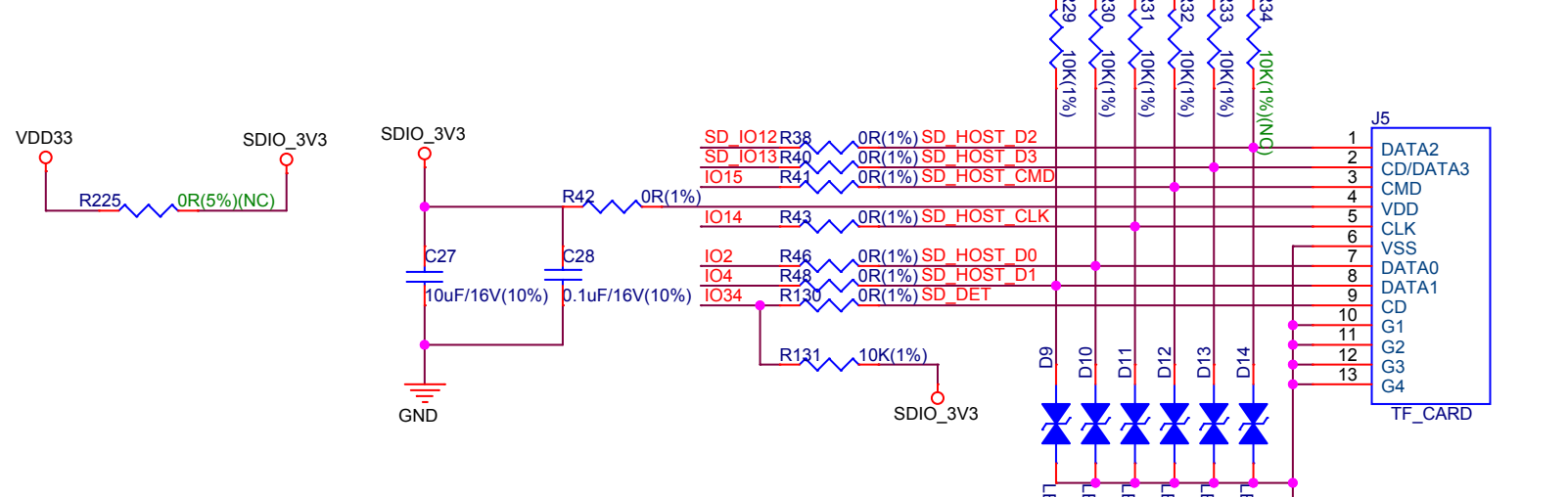
I2S



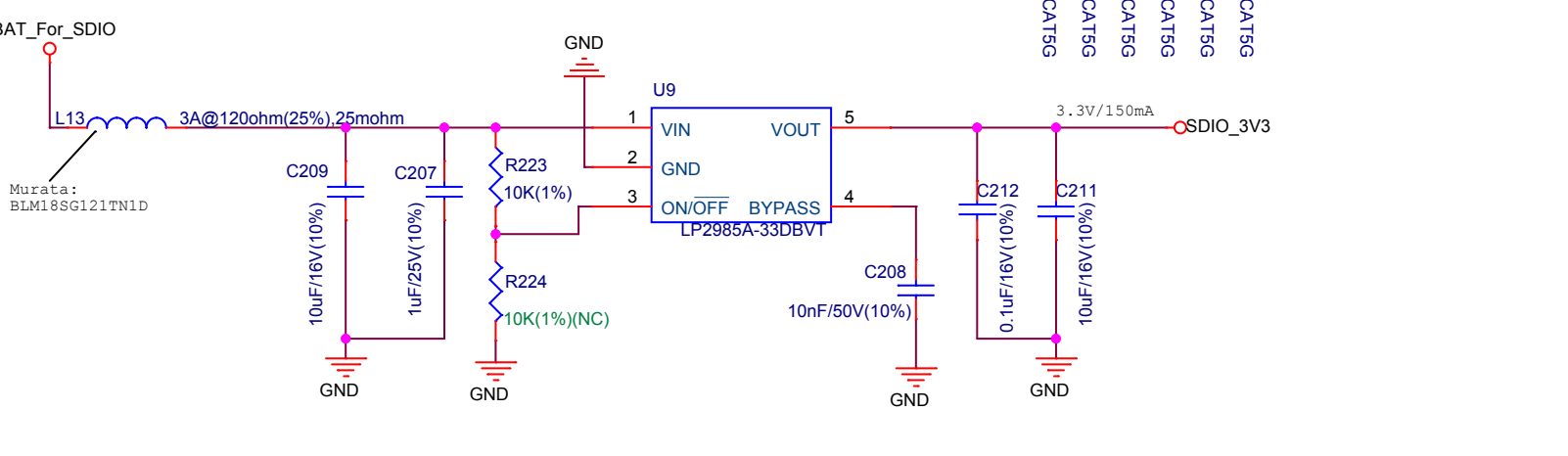
Reset/Download Button:



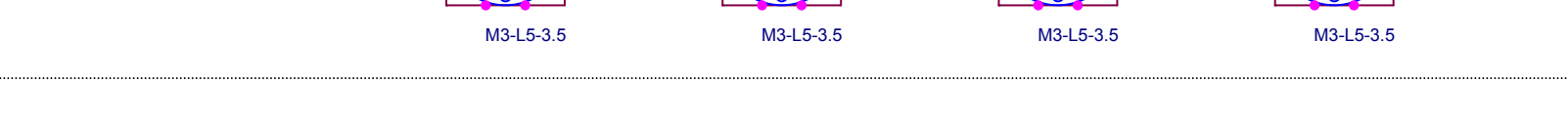
SD_CARD:



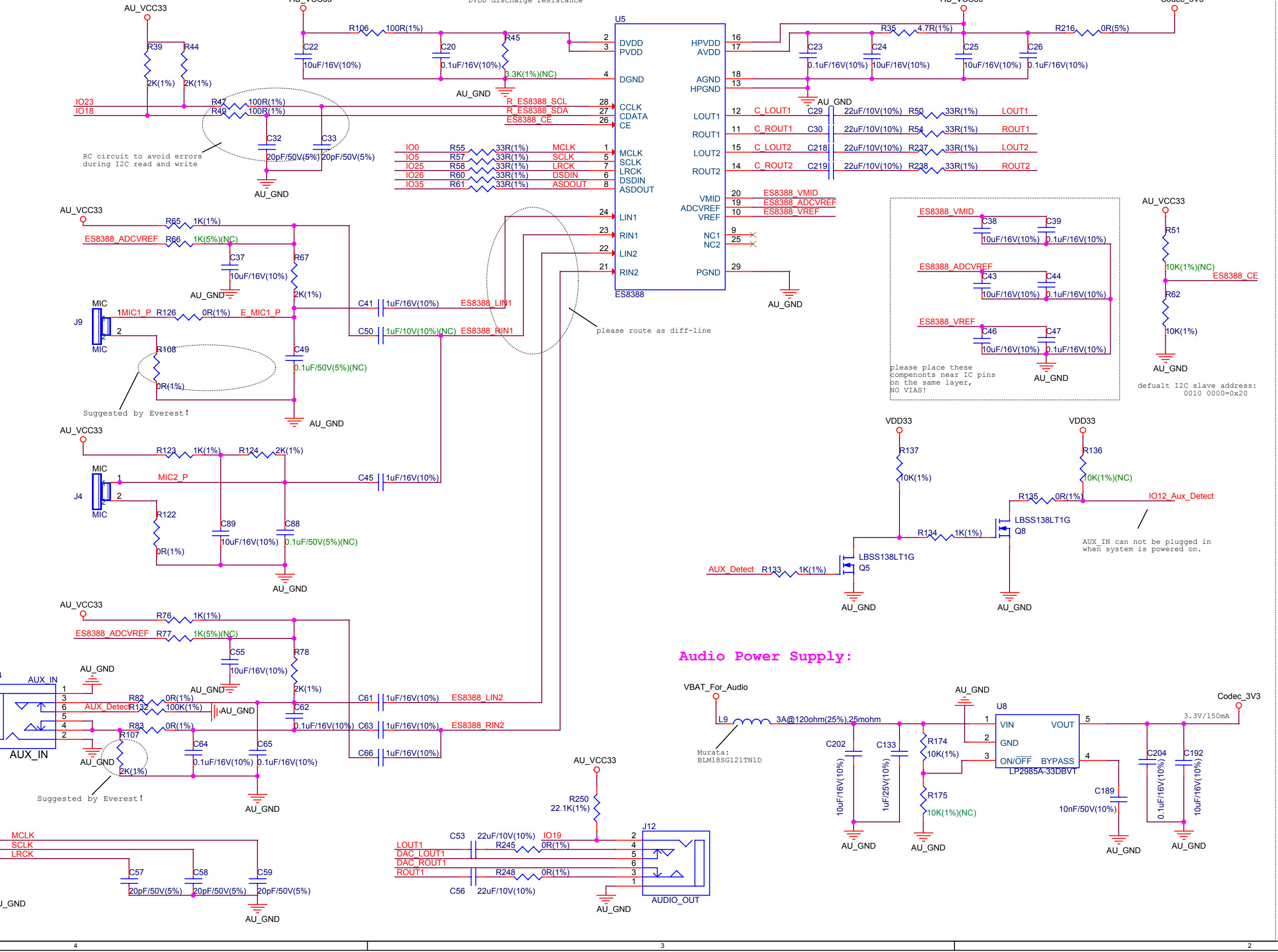
SDIO Power Supply:



Fixing Holes:



Analog System:



Audio Power Supply:

