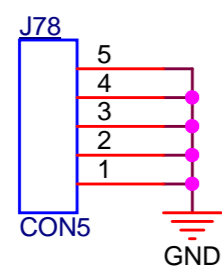
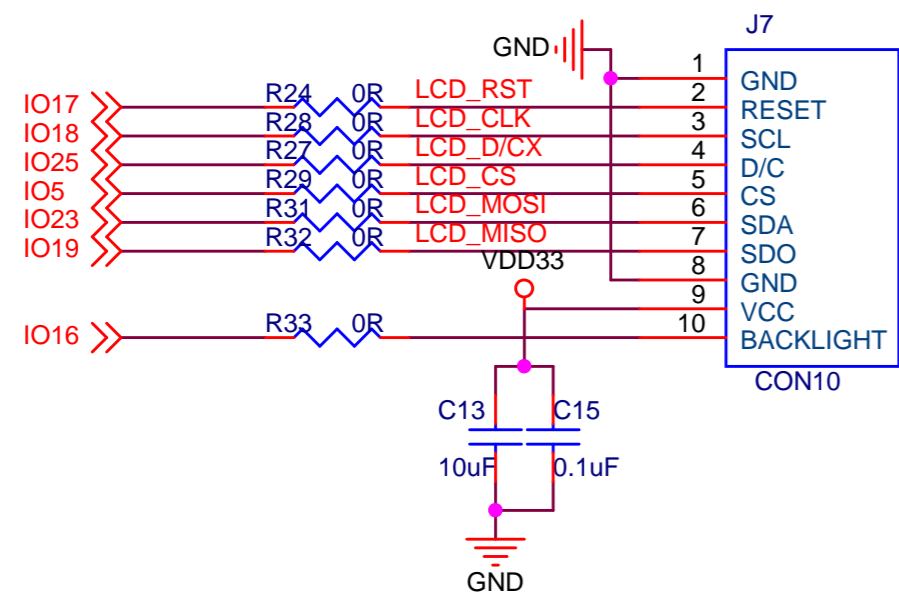


Auto program

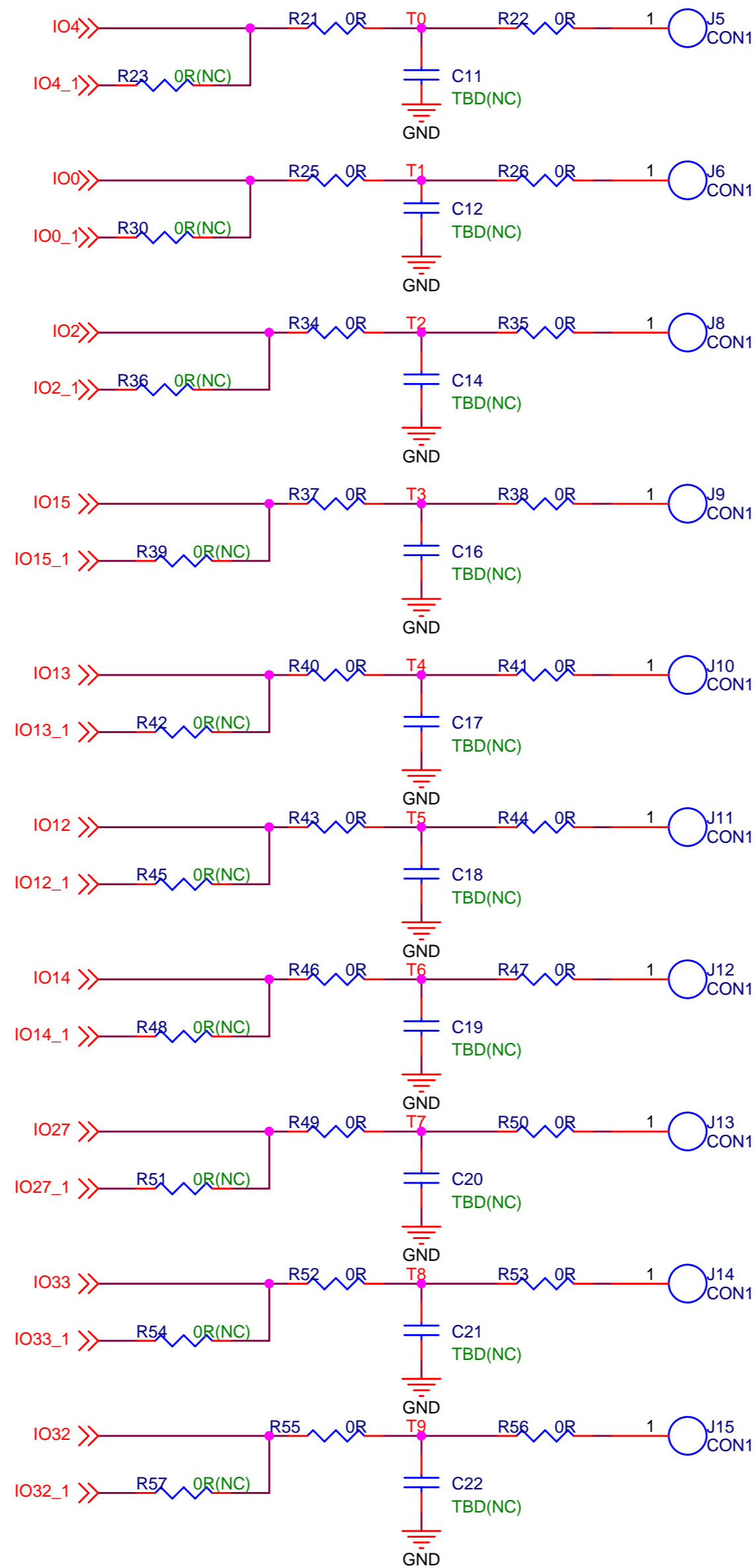
DTR	RTS	->	EN	IO0
1	1		1	1
0	0		1	1
1	0		0	1
0	1		1	0

### LCD Screen



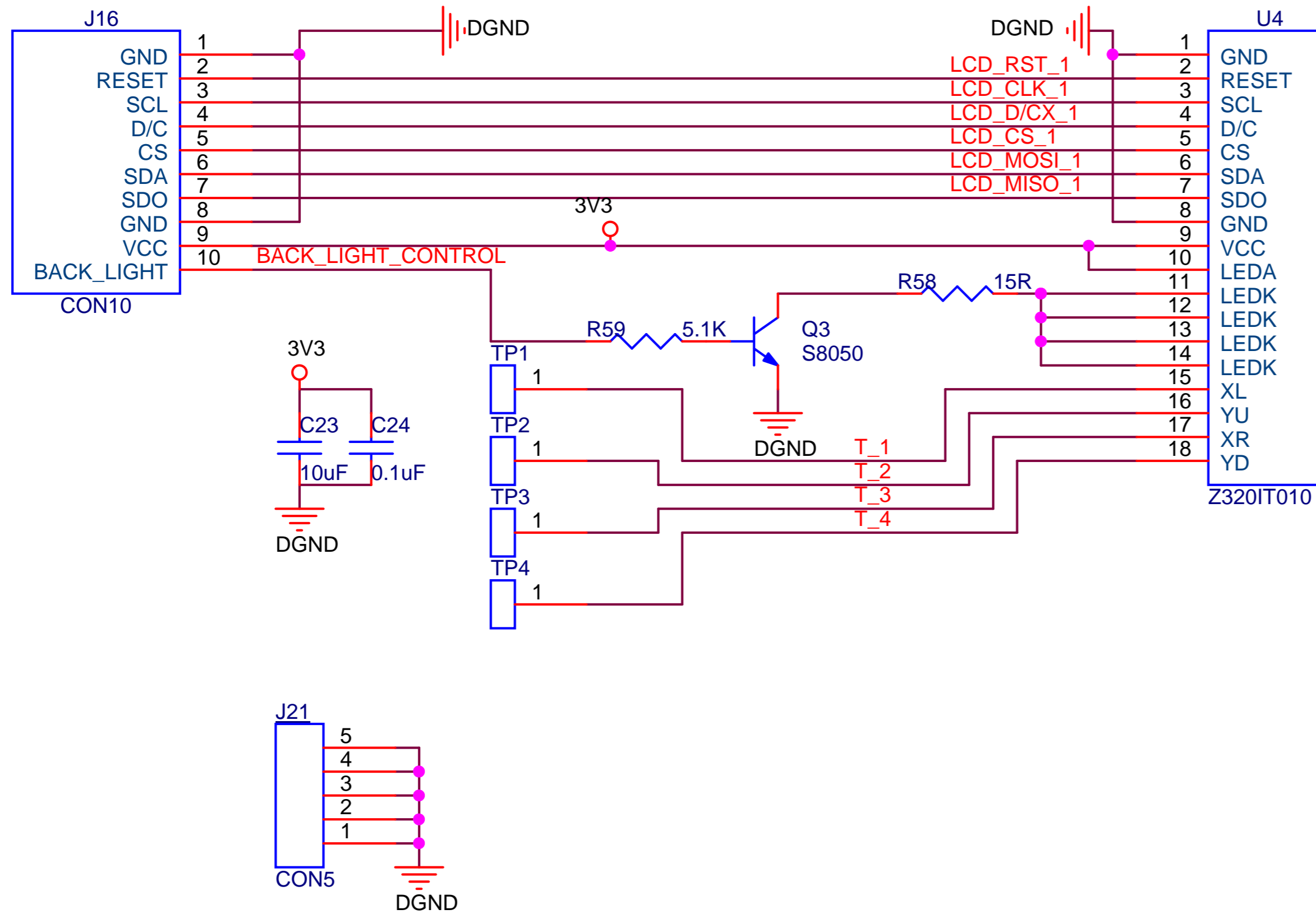
This Connector is used to support LCD screen.

### Touch Pad



Espressif Systems		
Title <ESP32_Demo Board_V1>		
Size B	Document Number <Doc>	Rev
Date: Monday, July 25, 2016	Sheet 2 of 3	

# LCD Screen Converter Board



This Connector is used to support LCD screen.

Espressif Systems		
Title <ESP32_EVB_V1>		
Size A	Document Number <Doc>	Rev <RevCode>
Date:	Monday, July 25, 2016	Sheet 3 of 3