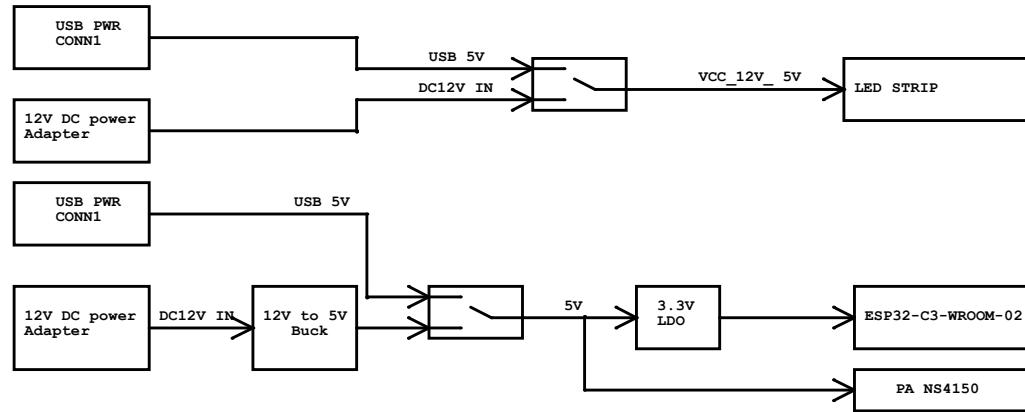
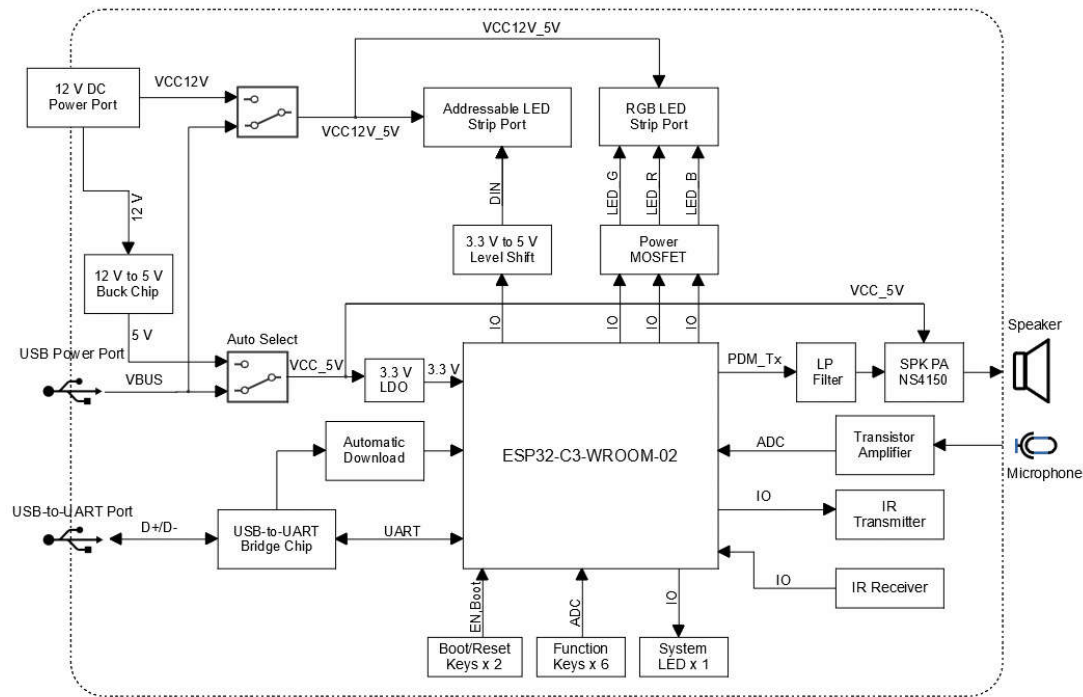


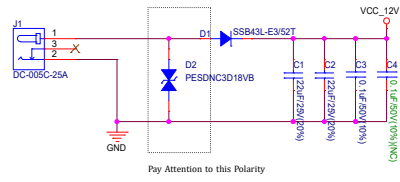
Power Block:



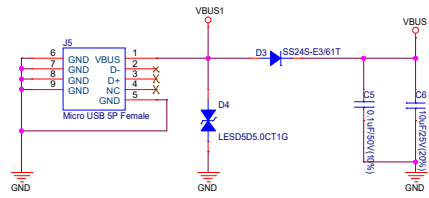
System Block:



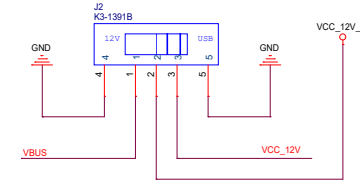
DC 12V Input:



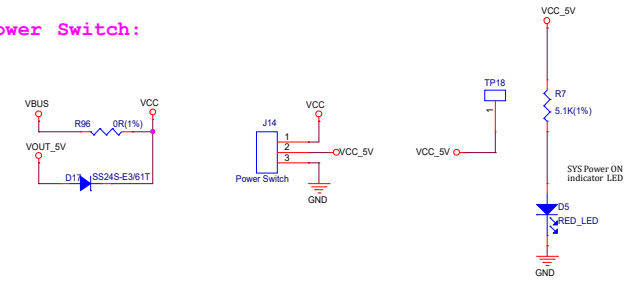
USB-PWR



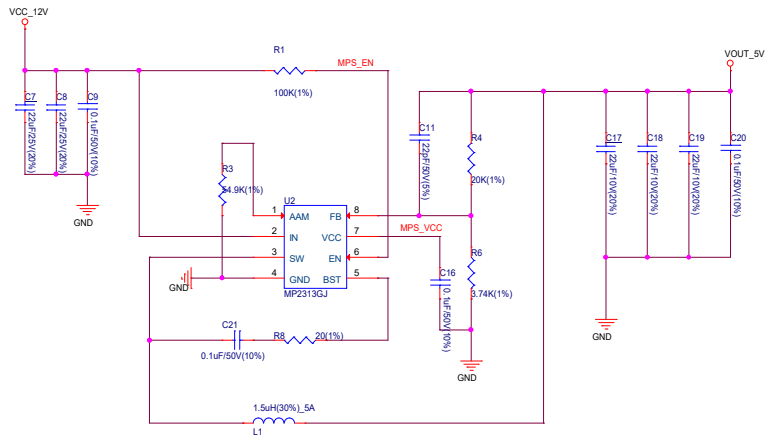
LED Power select Switch:



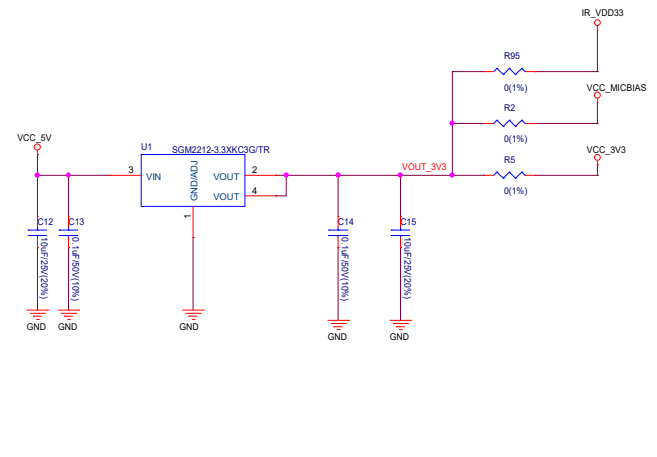
System Power Switch:



12V -> 5V

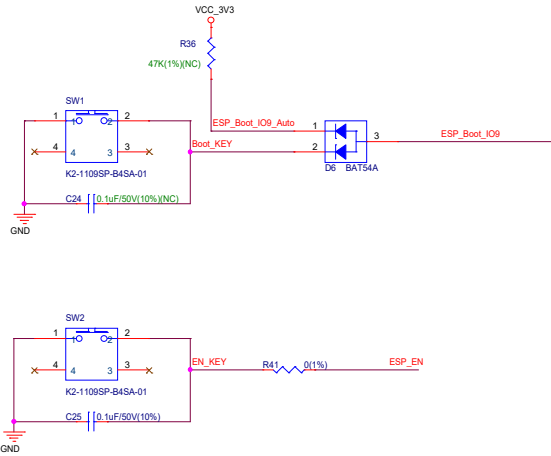


5V -> 3.3V

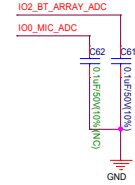
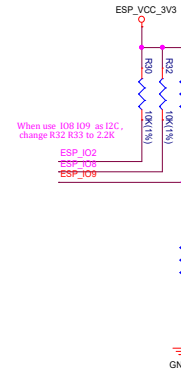
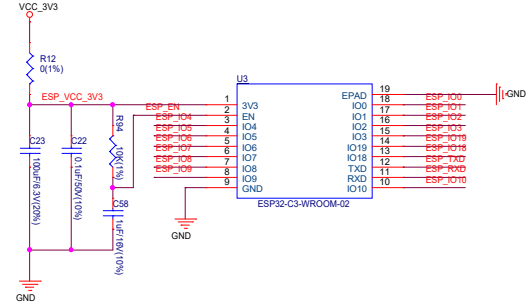
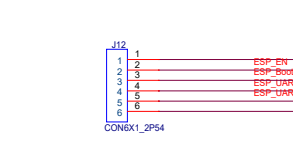
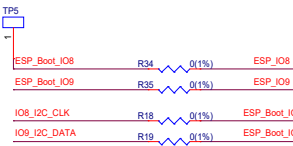
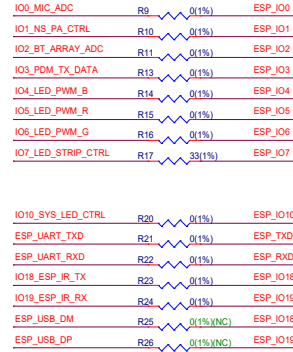


IO0_MIC_ADC <>< IO0_MIC_ADC
 IO2_BT_ARRAY_ADC <>< IO2_BT_ARRAY_AD 6
 IO1_NS_PA_CTRL <>< IO1_NS_PA_CTRL 6
 IO3_PDM_TX_DATA <>< IO3_PDM_TX_DATA 6
 IO4_LED_PWM_B <>< IO4_LED_PWM_B 4
 IO5_LED_PWM_R <>< IO5_LED_PWM_R 4
 IO6_LED_PWM_G <>< IO6_LED_PWM_G 4
 IO7_LED_STRIP_CTRL <>< IO7_LED_STRIP_CTRL 6
 IO10_SYS_LED_CTRL <>< IO10_SYS_LED_CTRL 6
 IO18_ESP_IR_TX <>< IO18_ESP_IR_TX 6
 IO19_ESP_IR_RX <>< IO19_ESP_IR_RX 6

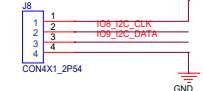
Reset & Download & Button:



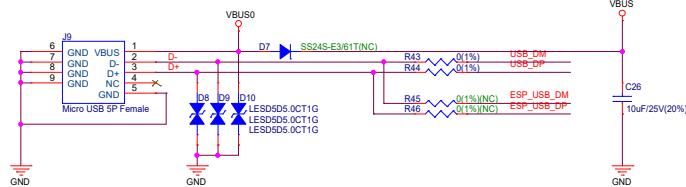
ESP32-C3-WROOM-02:



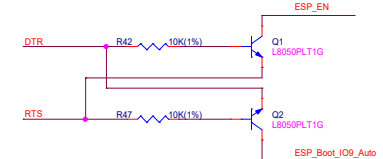
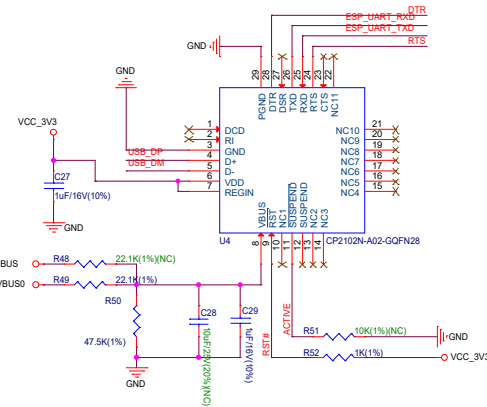
AUX I2C



USB-UART



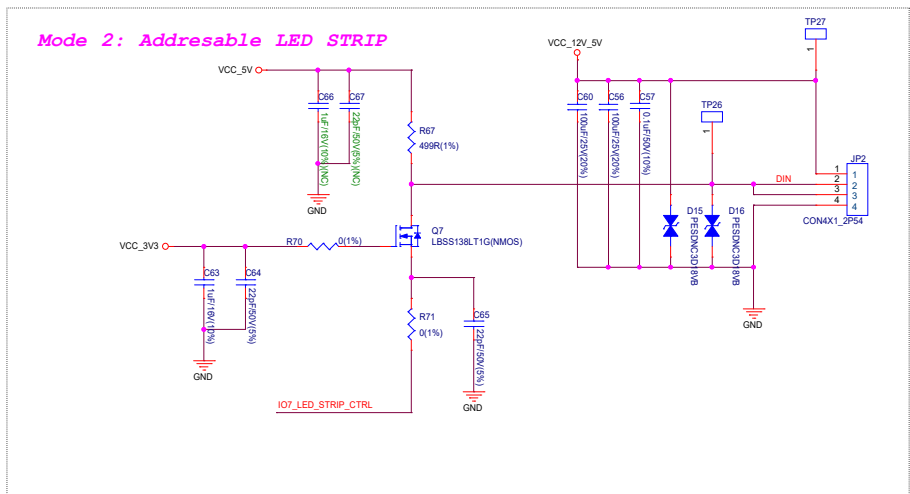
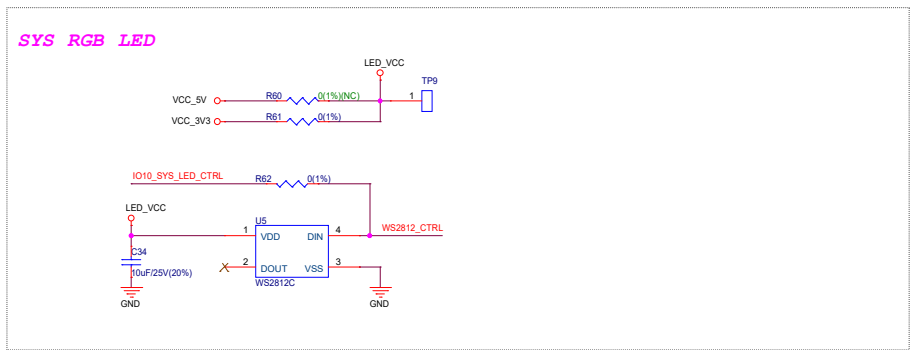
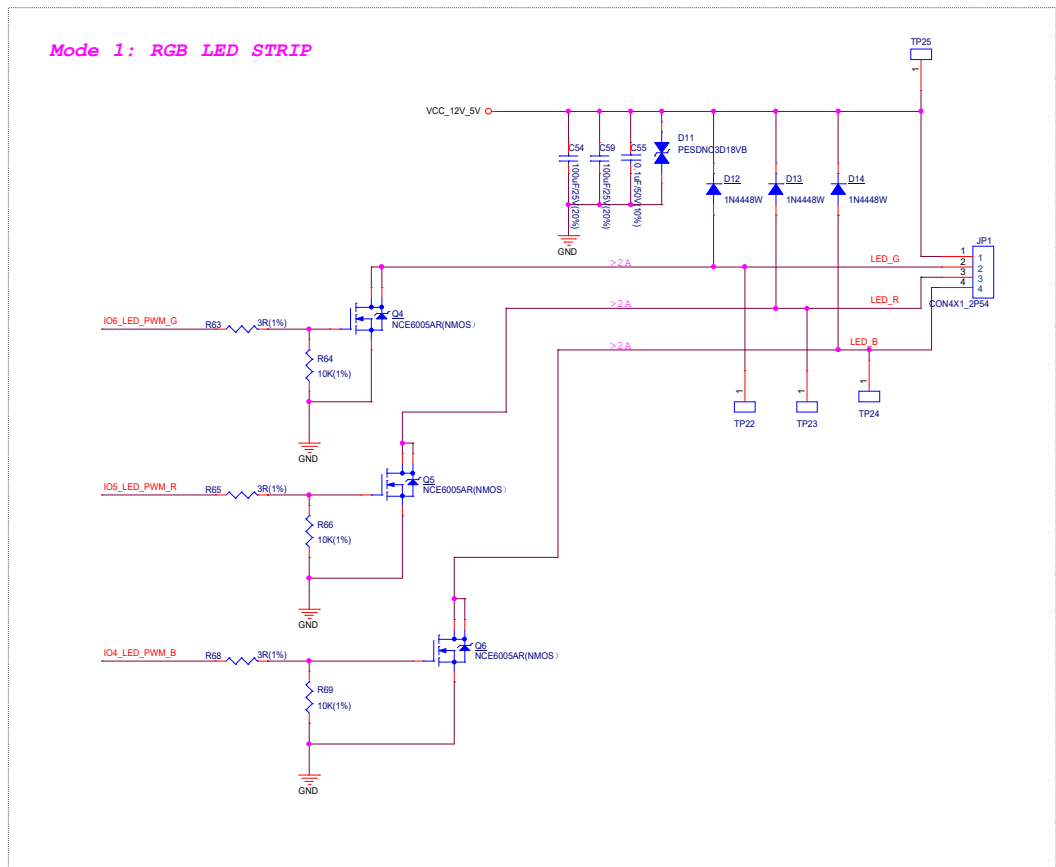
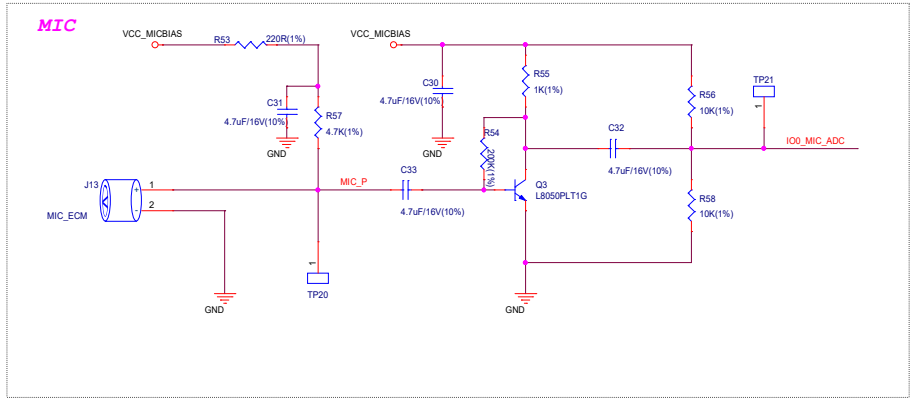
UART:



Auto program

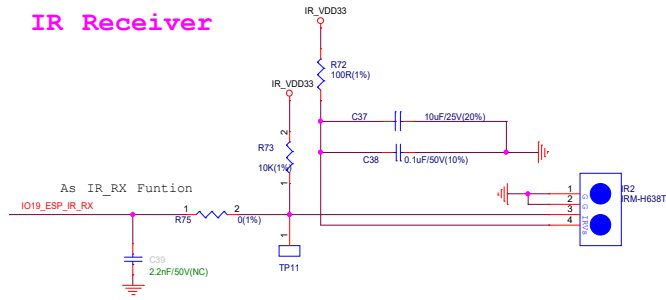
DTR	RTS	-EN	IO9	IO8	IO2
1	0	1	1	1	1
1	0	0	1	1	1
0	1	1	0	1	1

IO0_MIC_ADC << IO0_MIC_ADC <<
 IO4_LED_PWM_B << IO4_LED_PWM_B <<
 IO5_LED_PWM_R << IO5_LED_PWM_R <<
 IO6_LED_PWM_G << IO6_LED_PWM_G <<
 IO7_LED_STRIP_CTRL << IO7_LED_STRIP_CTRL <<
 IO10_SYS_LED_CTRL << IO10_SYS_LED_CTRL <<

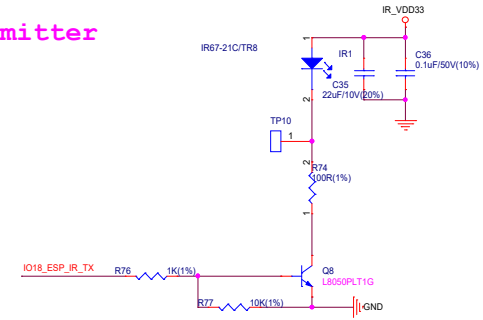


IO2_BT_ARRAY_ADC << IO2_BT_ARRAY_ADC
 IO1_NS_PA_CTRL << IO1_NS_PA_CTRL
 IO3_PDM_TX_DATA << IO3_PDM_TX_DATA
 IO18_ESP_IR_TX << IO18_ESP_IR_TX
 IO19_ESP_IR_RX << IO19_ESP_IR_RX

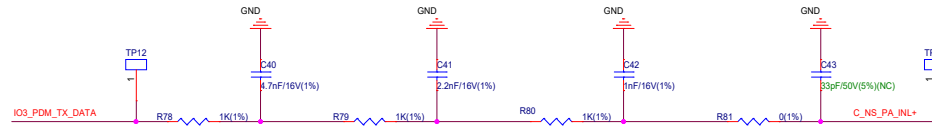
IR Receiver



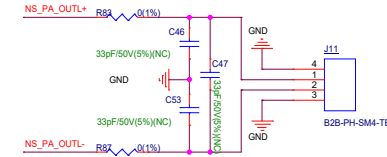
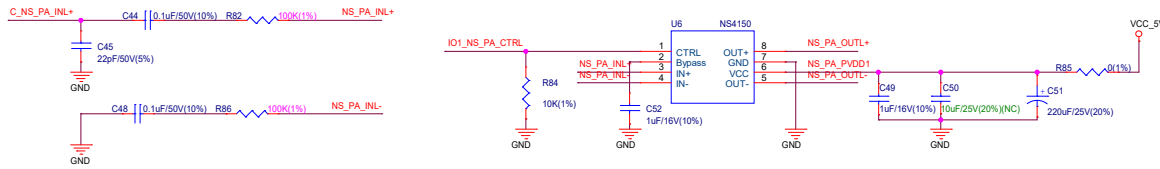
IR Transmitter



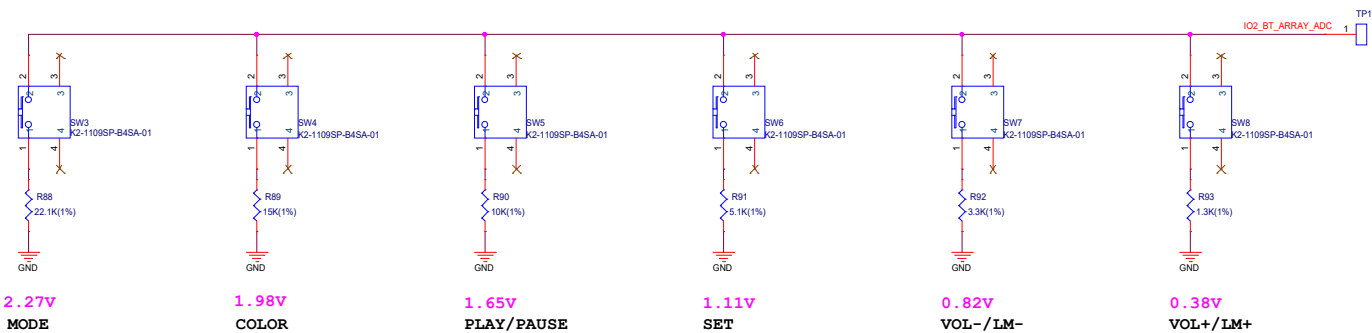
PA: NS4150



PA: NS4150



Button Array:



ESPRESSIF

乐鑫信息科技(上海)股份有限公司

Title		ESP32-C3-Lyra
Size	Document Number	Rev
C	05-Interface	V2.0
Date:	Tuesday, June 28, 2022	Sheet 5 of 5