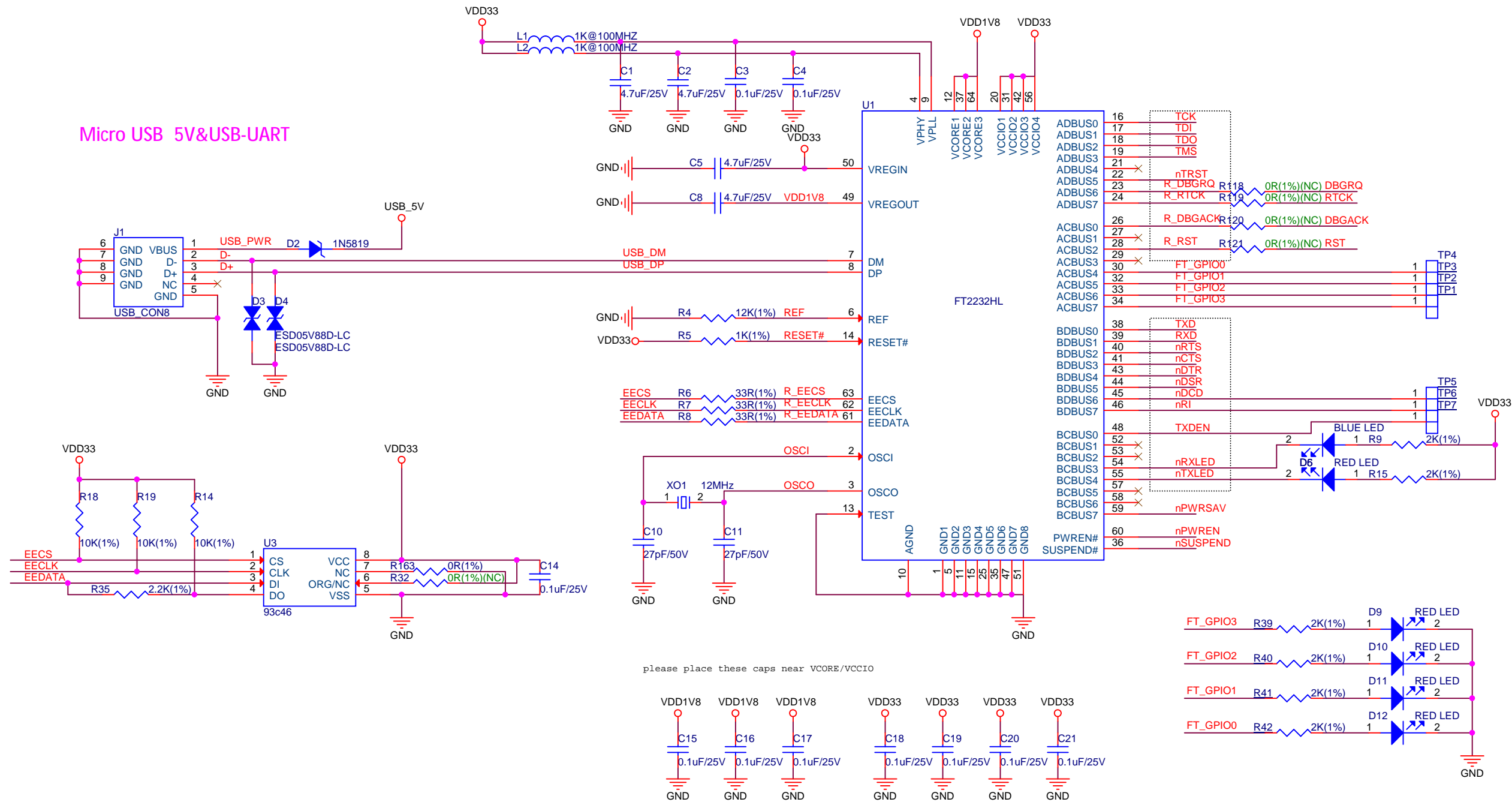
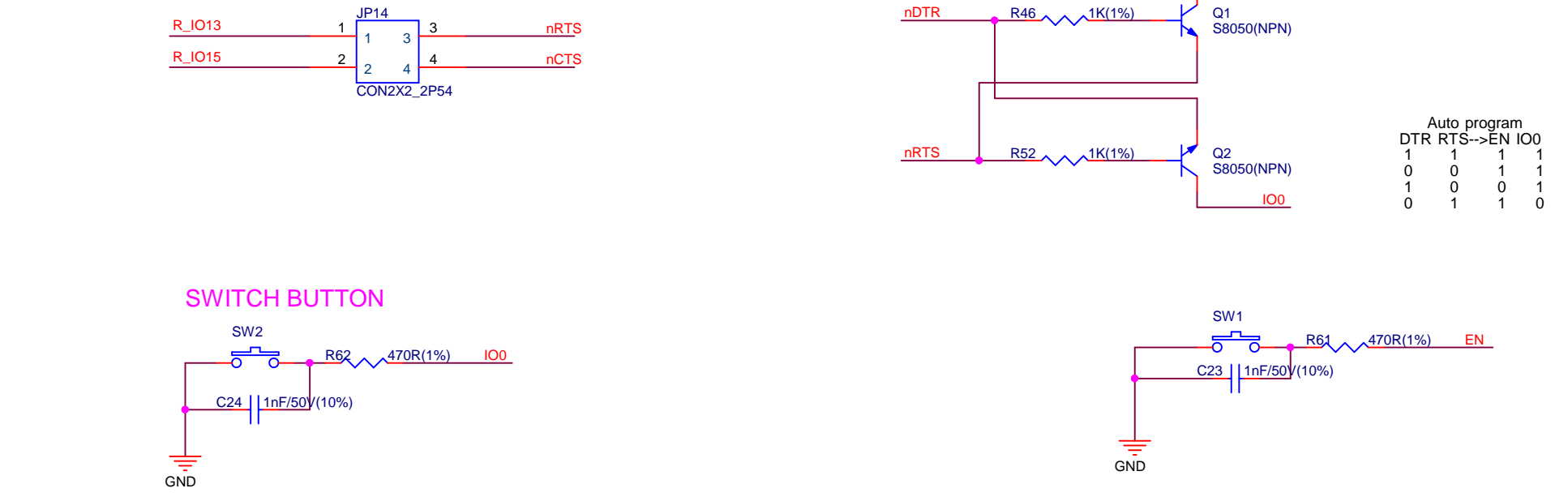


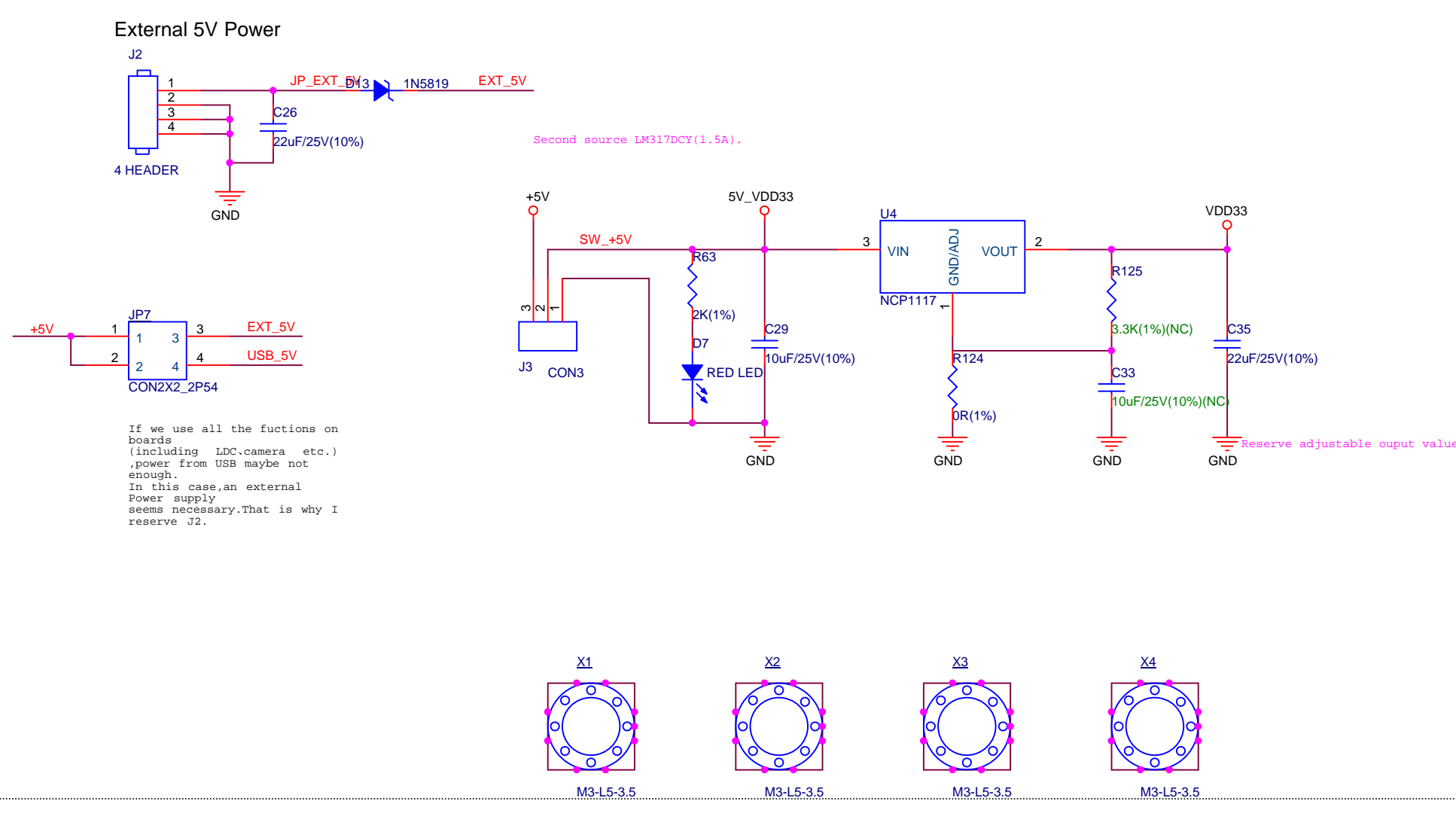
Serial-Port:



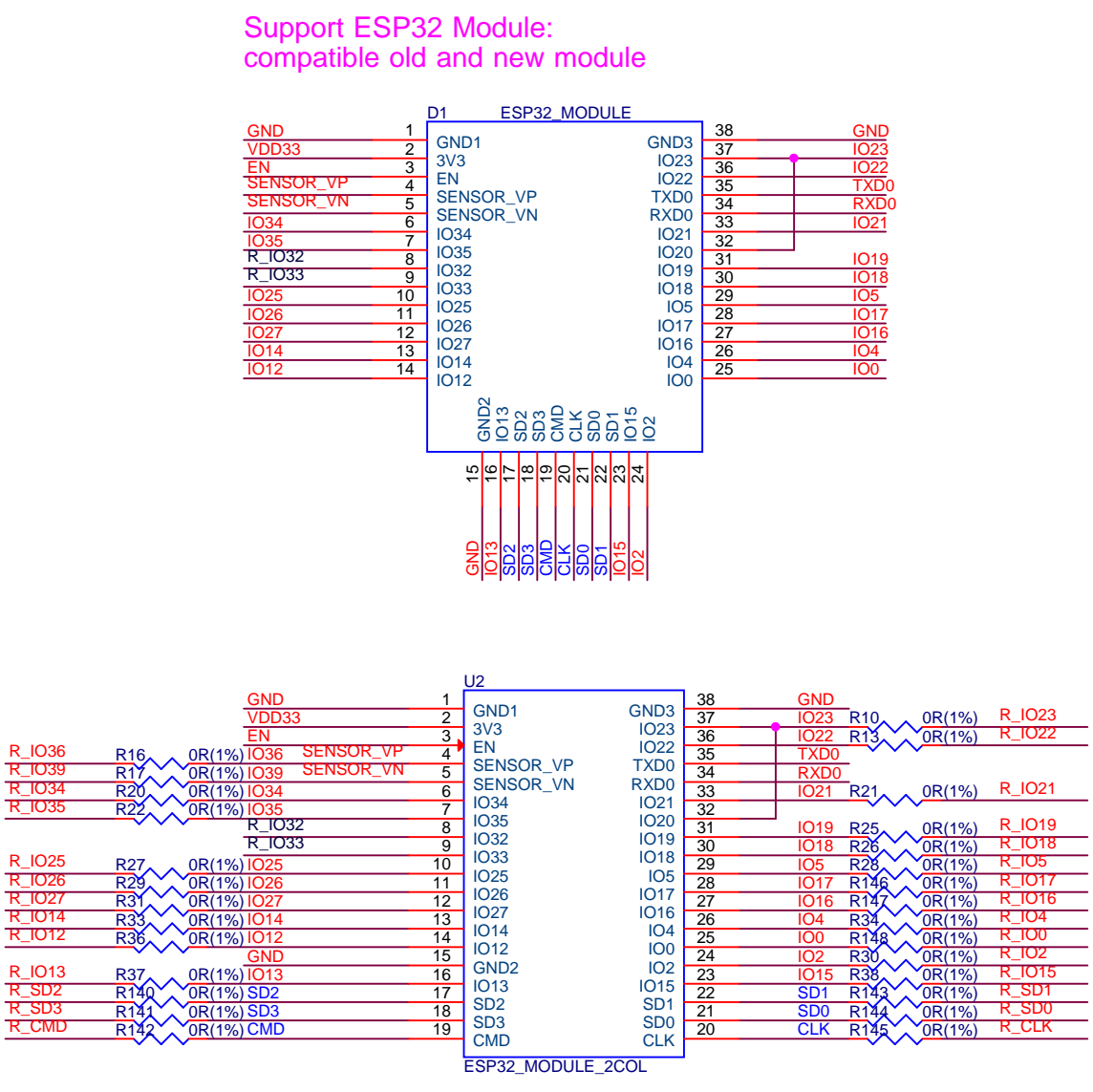
Switch:



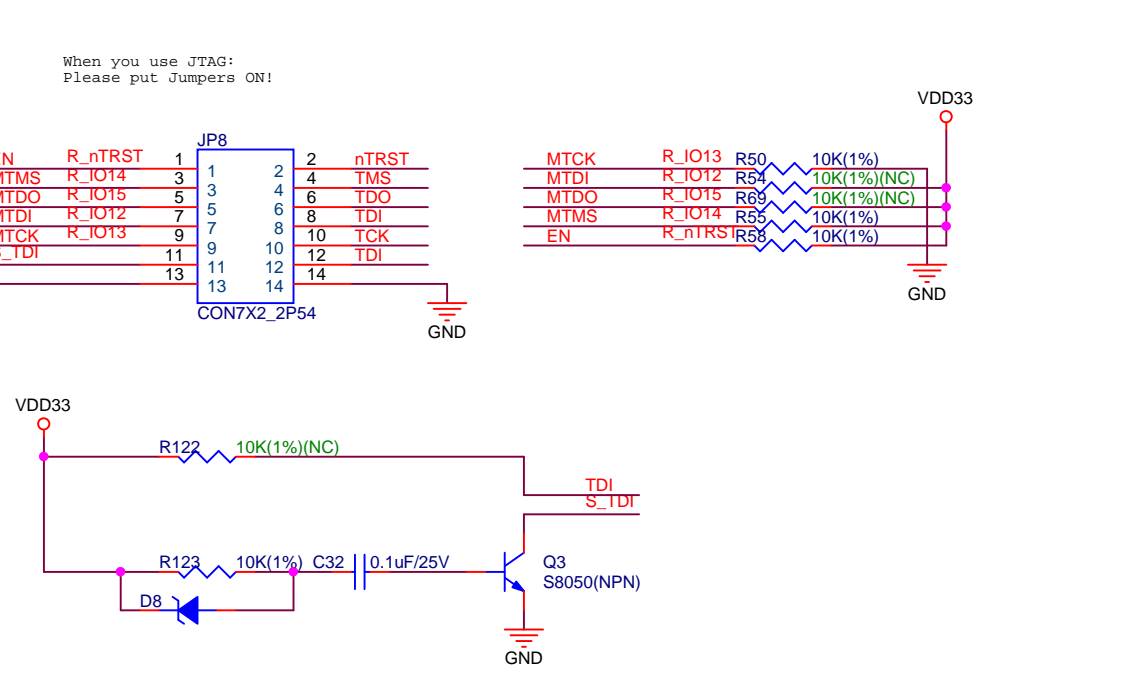
Power:



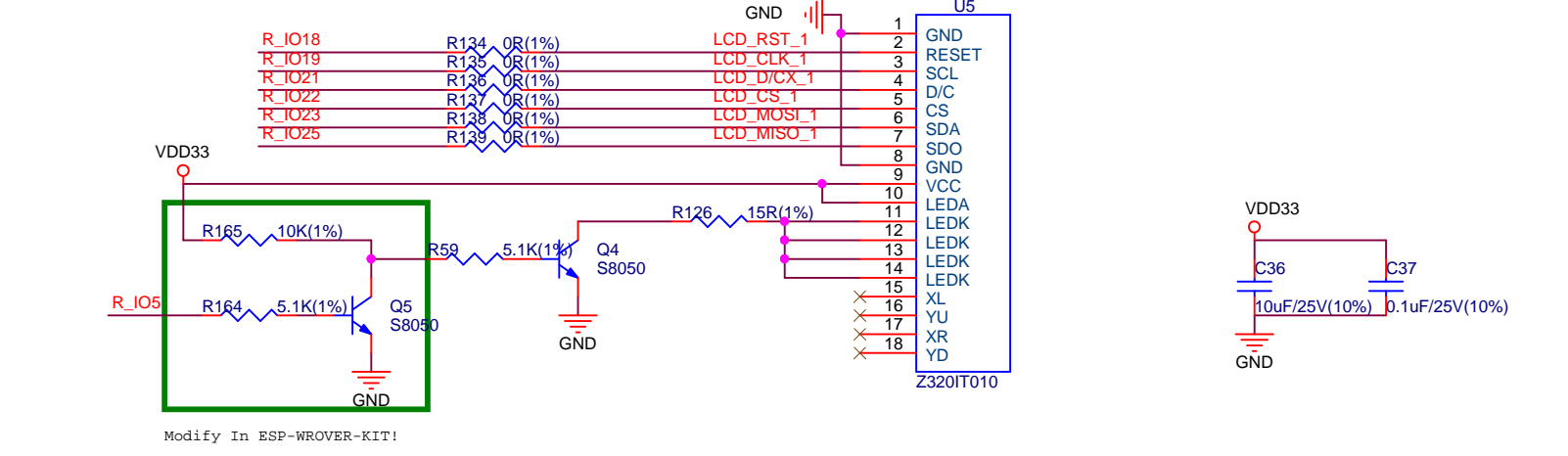
ESP32-Module:



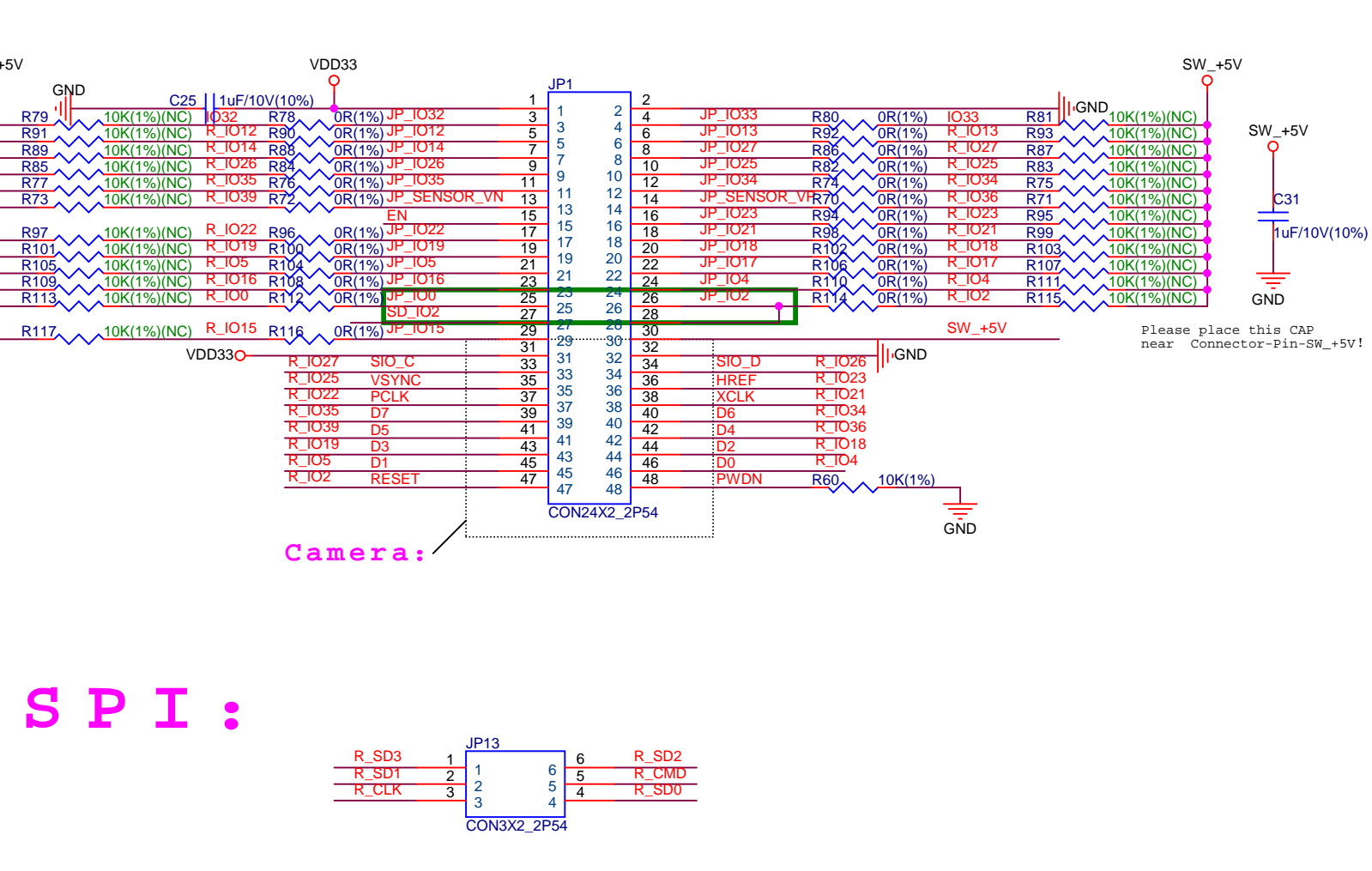
JTAG:



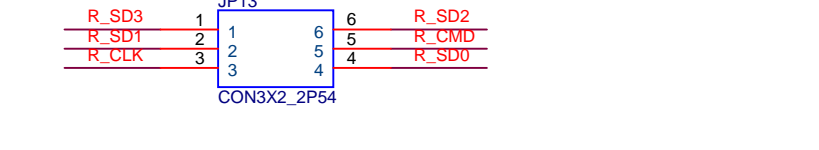
LCD Screen:



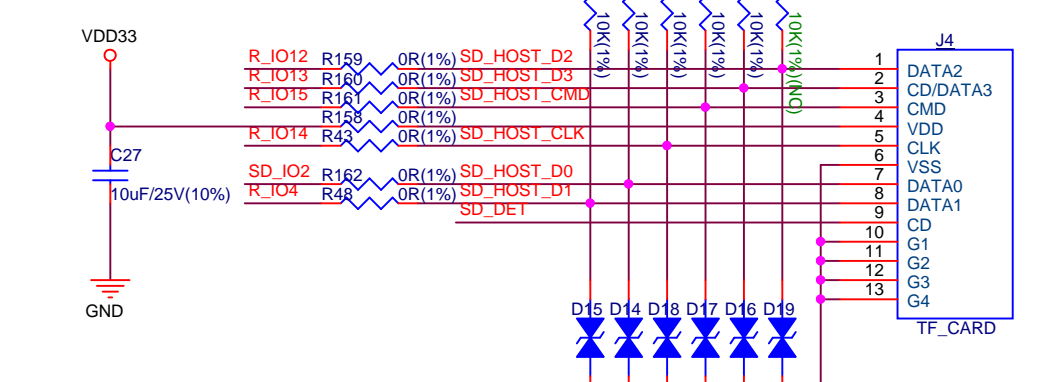
Connector:



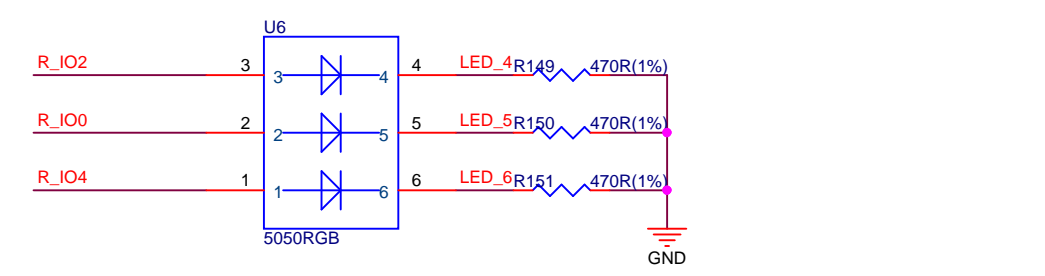
SPI:



SD Card:



RGB:



File	<Title>
Size	Document Number
D	<Doc>
Date:	Wednesday, October 26, 2016 ESheet 1 of 1 Rev