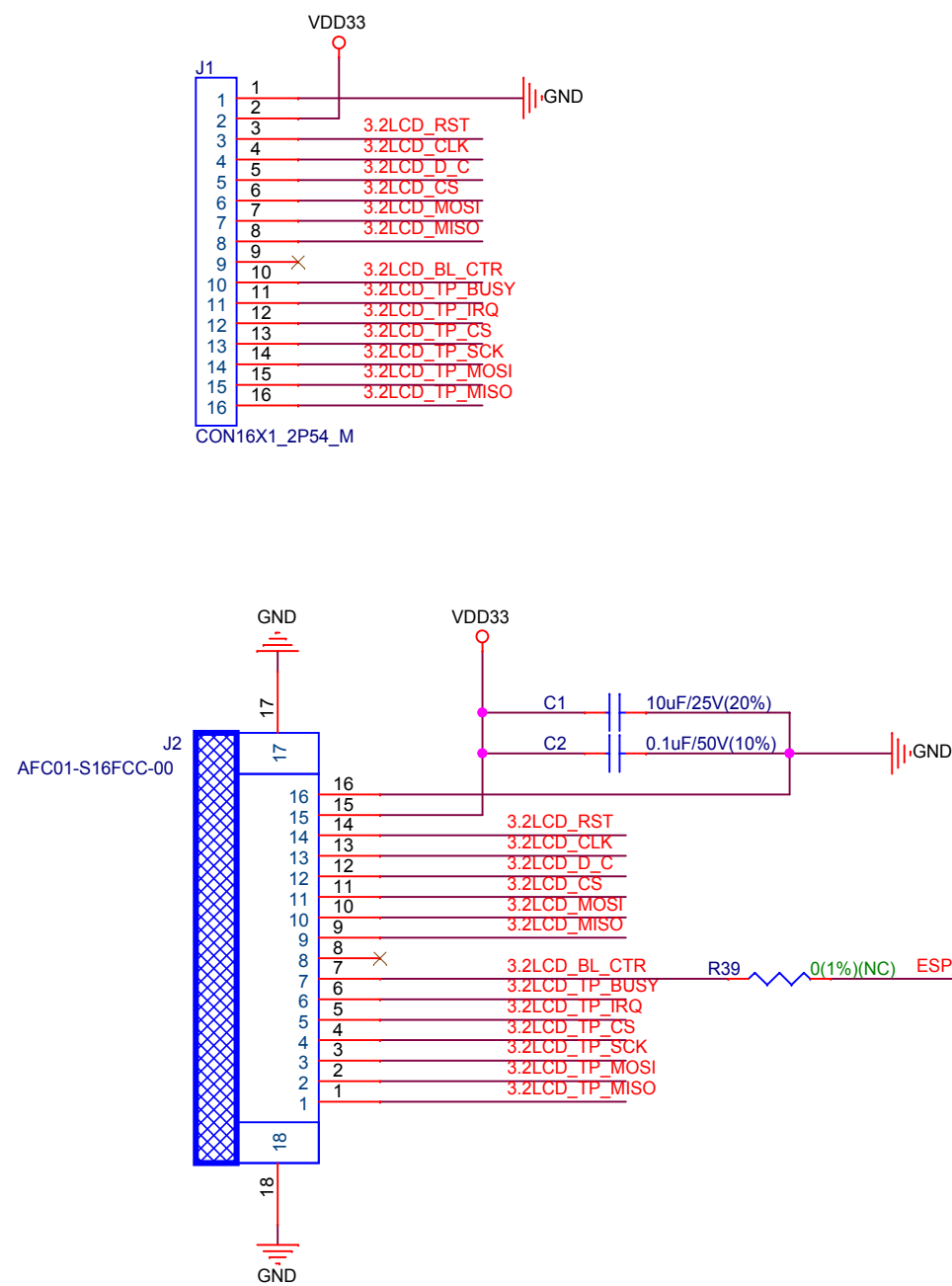


System Block:

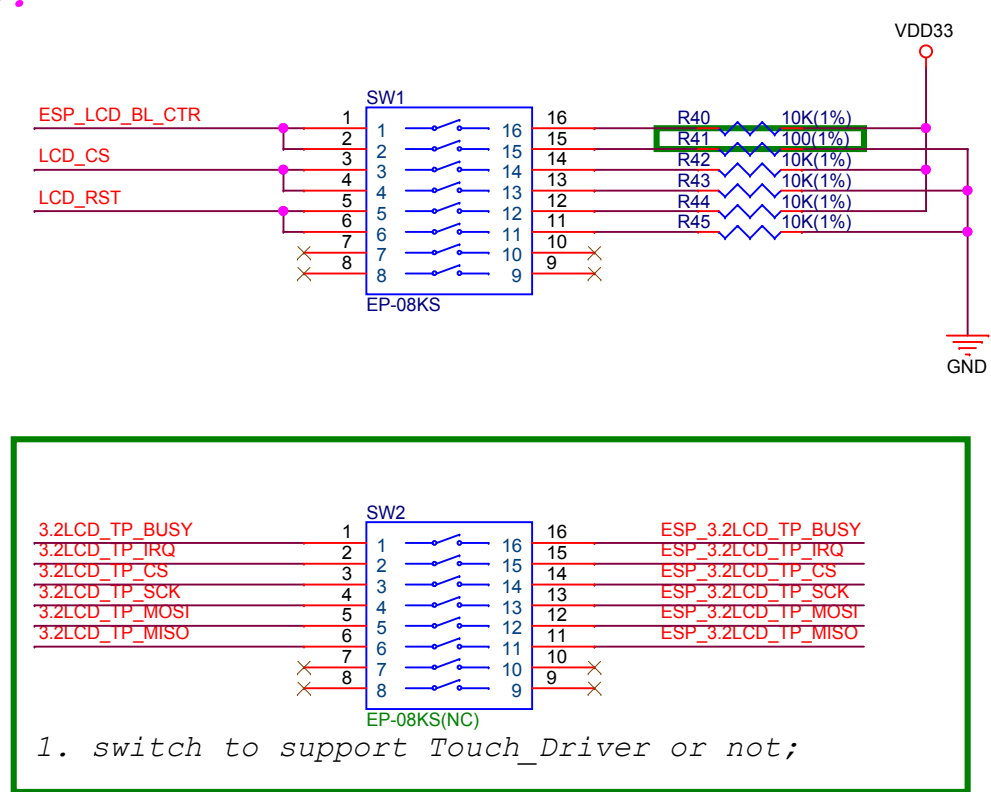
Leaving Blank

ESPRESSIF		
乐鑫科技(上海)股份有限公司		
Title ESP-LyraP-LCD32		
Size	Document Number	Rev
C	01_DesignBlock	V1.2
Date: Friday, May 22, 2020 Sheet 1 of 2		

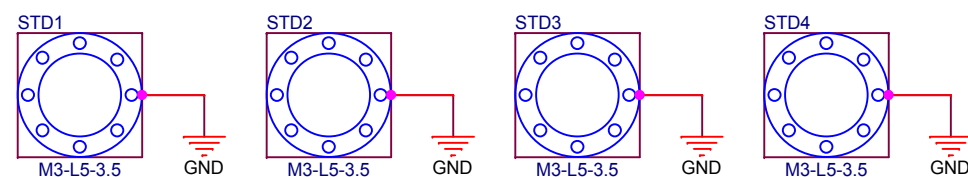
Connector to Mainboard:



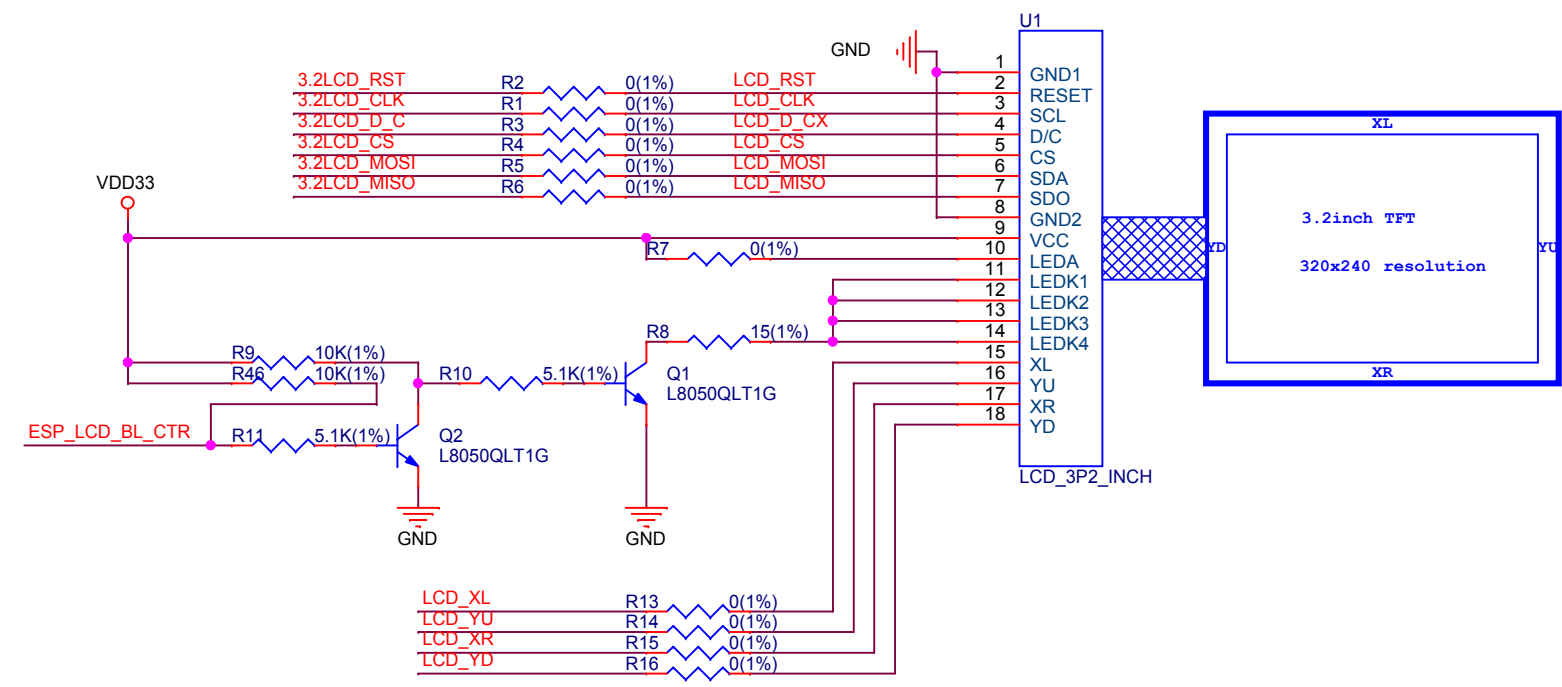
Switchs:



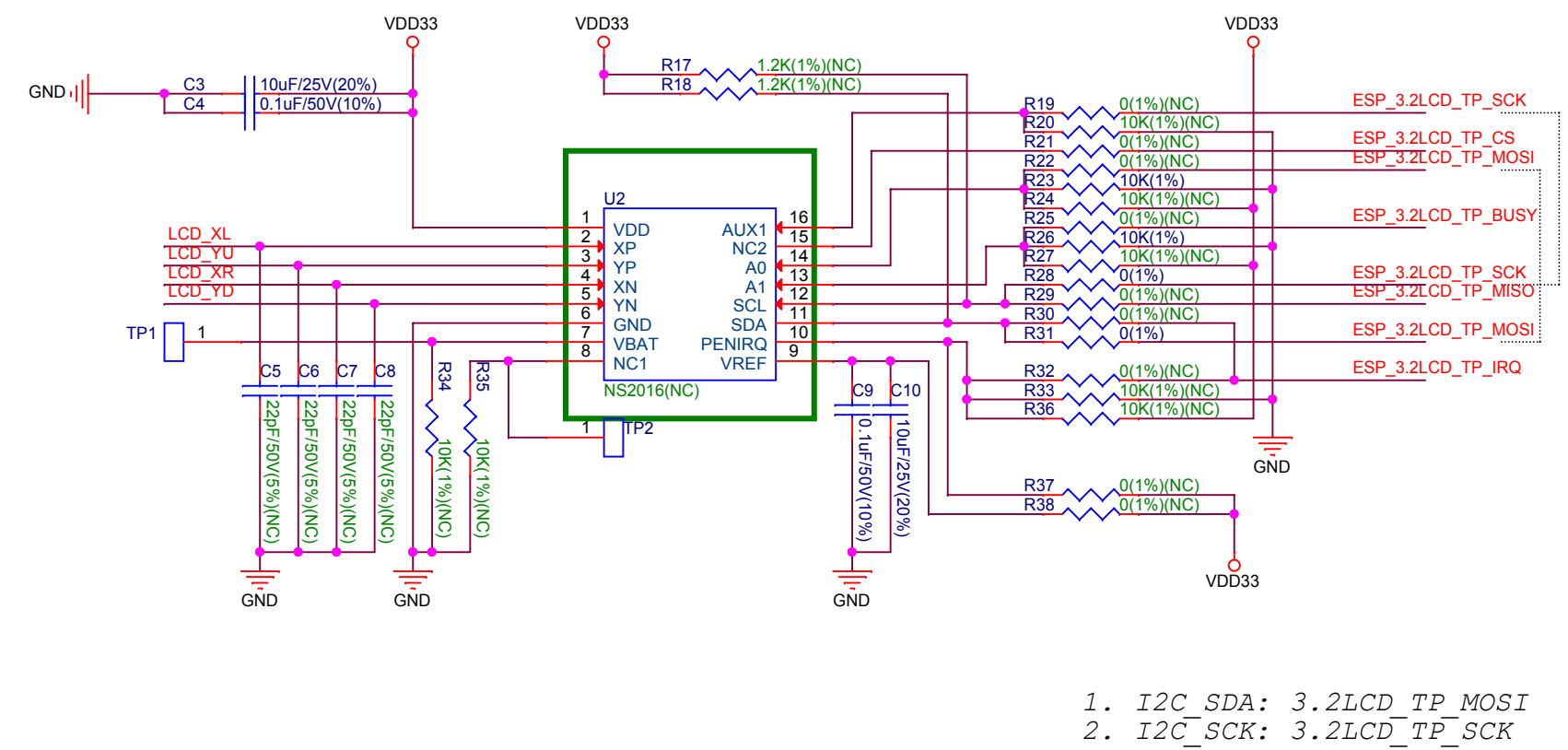
Locating Holes:



3.2inch LCD:



Touch Driver:



ESPRESSIF

乐鑫信息科技(上海)股份有限公司

Title: ESP-LyraP-LCD32

Size: Document Number

C: 02_LCD_3P2_Inch

Date: Friday, May 22, 2020

Sheet 2 of 2

Rev V1.2