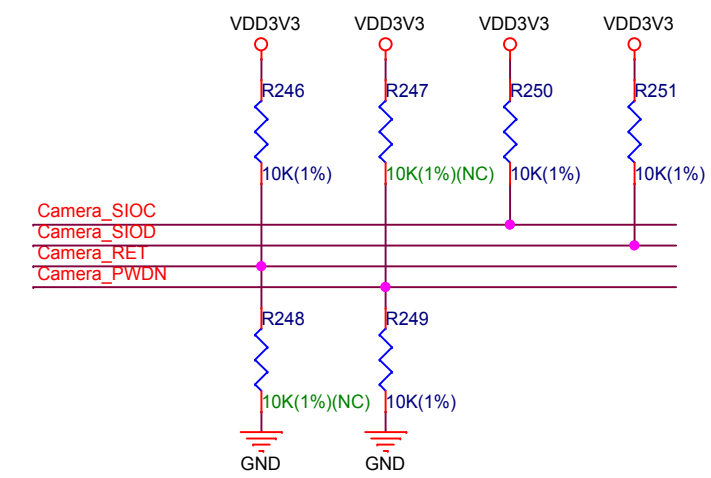
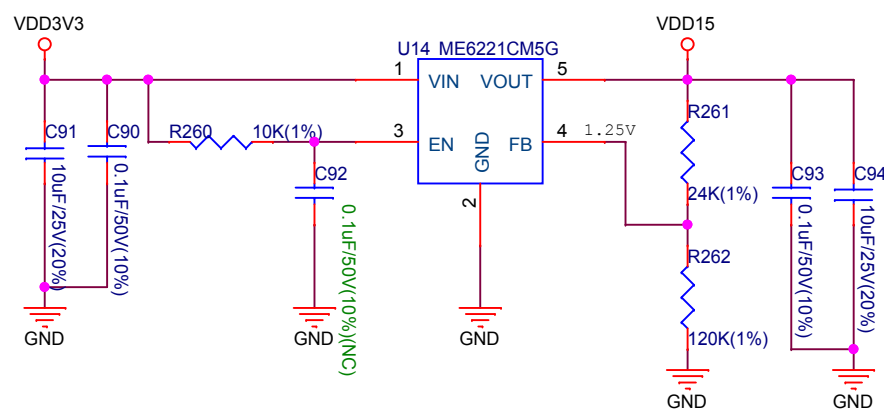
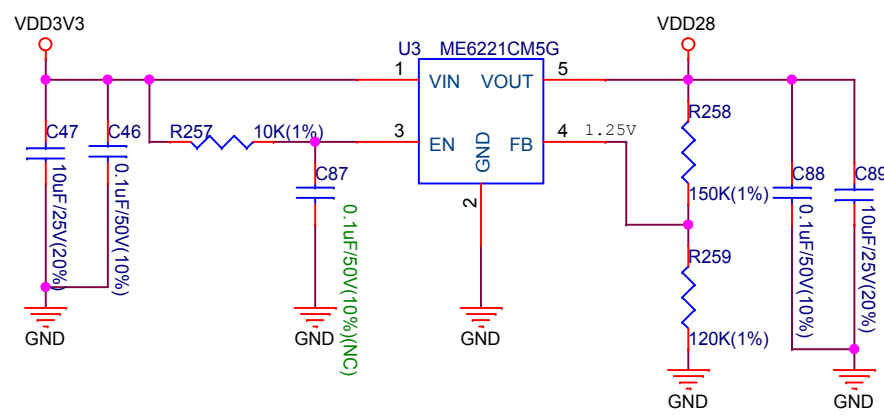
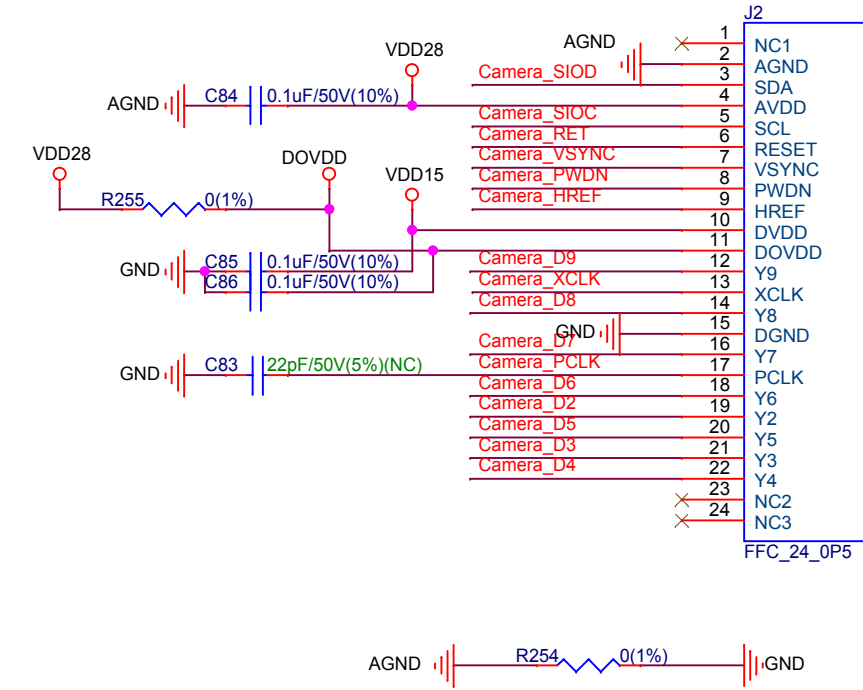
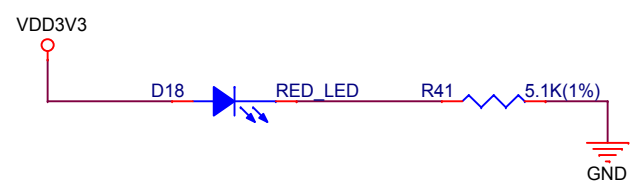
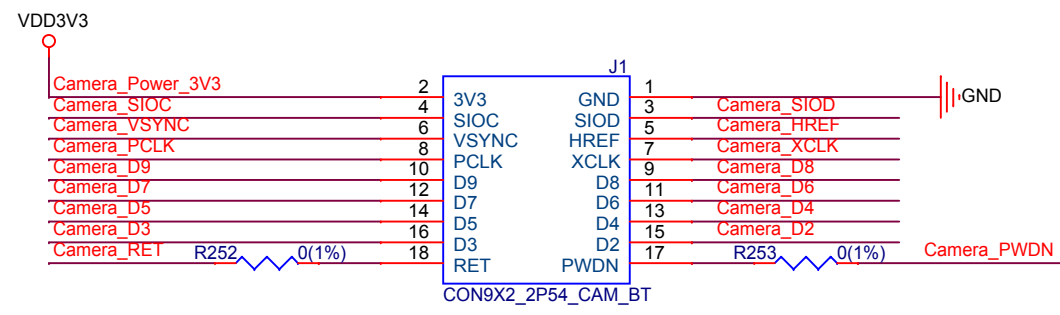


Leave Blank

ESPRESSIF		
乐鑫科技(上海)股份有限公司		
Title ESP-LYRAP-CAM		
Size	Document Number	Rev
C	01_DesignBlock	V1.1
Date:	Monday, May 11, 2020	Sheet 1 of 2



Note:
1. Use ETA5050-ADJ for smaller output down to 1.0V.

ESPRESSIF

乐鑫信息科技(上海)股份有限公司

Title: ESP-LYRAP-CAM

Size: Document Number
C: 02_ESP-LYRAP-CAM

Date: Monday, May 11, 2020

Sheet 2 of 2

Rev V1.1