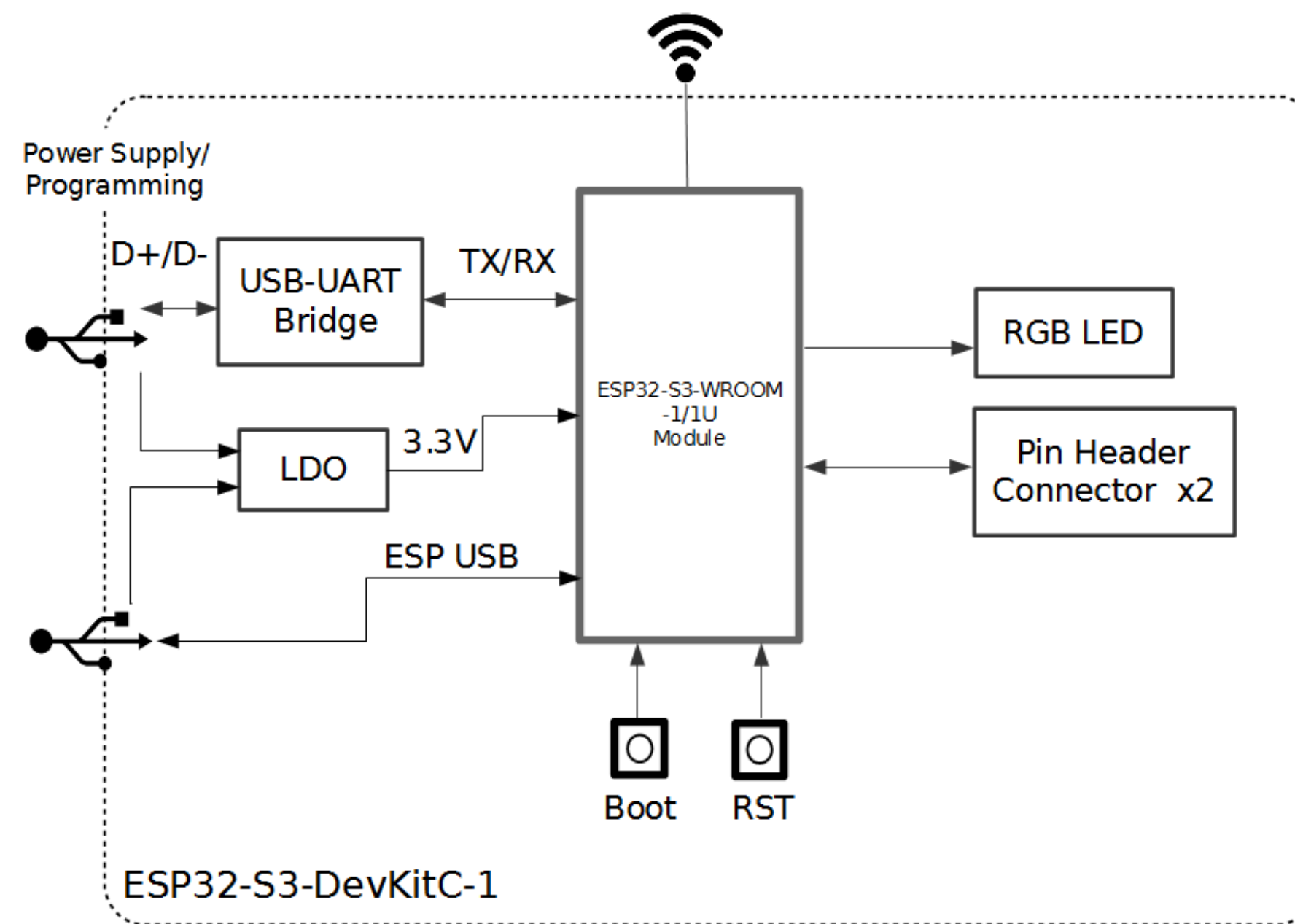
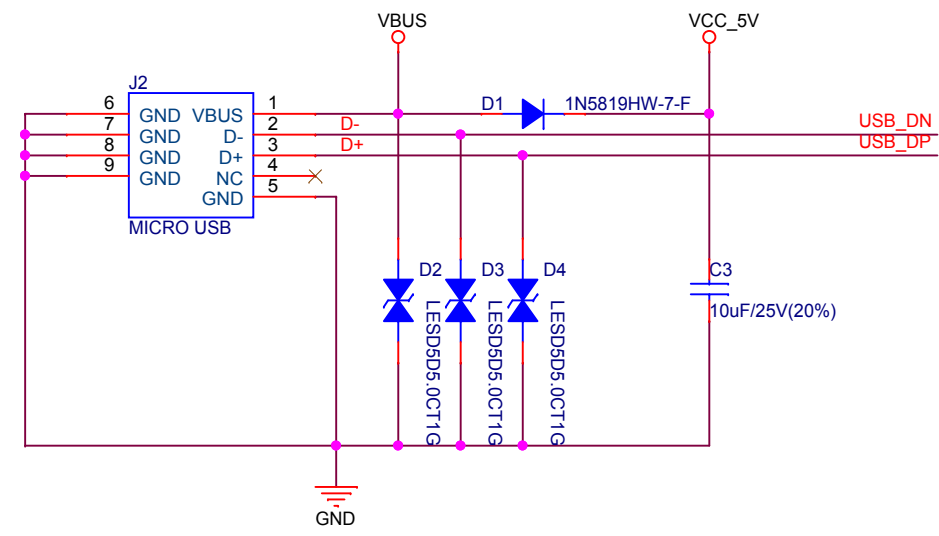


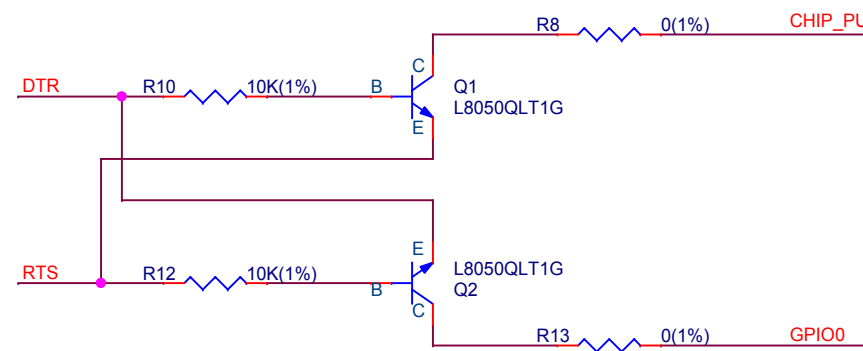
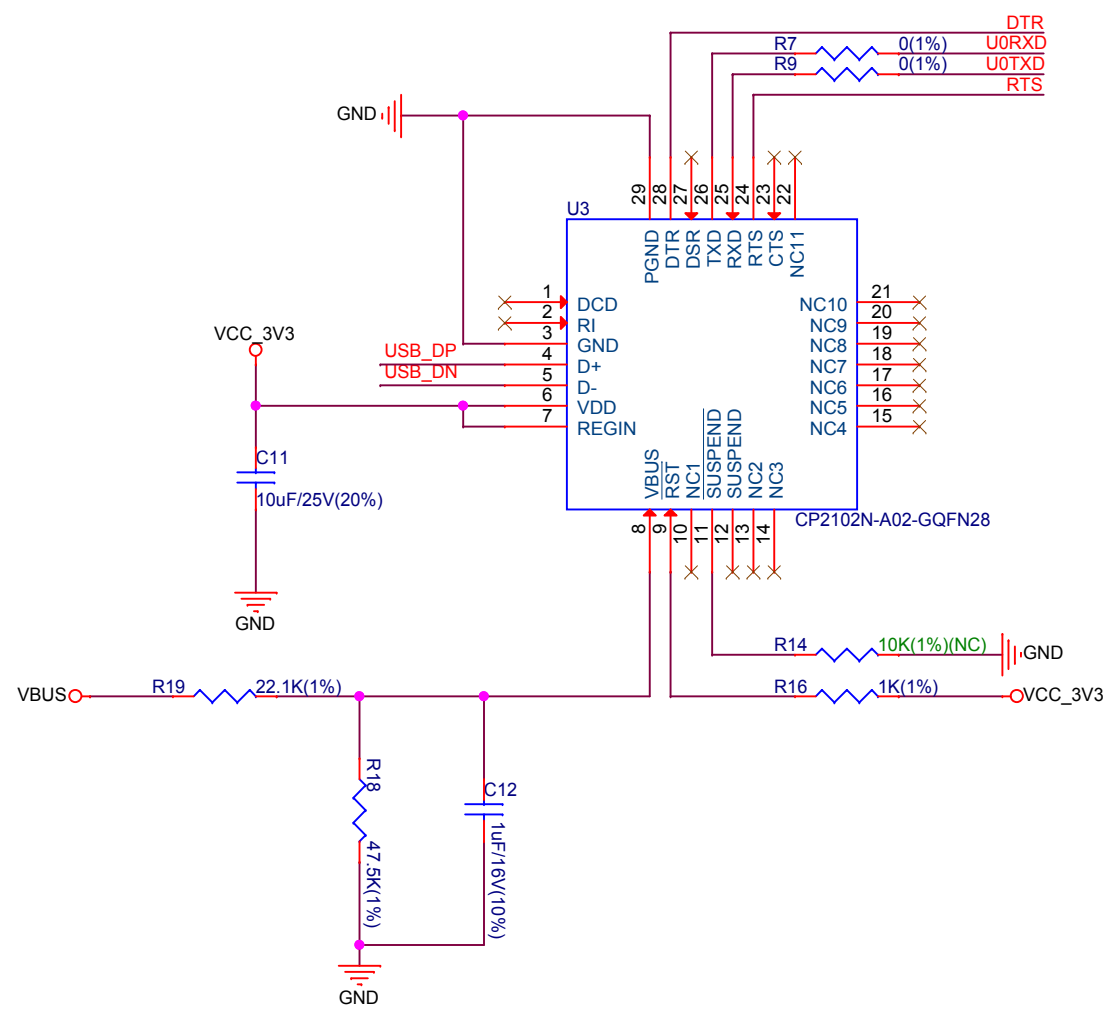
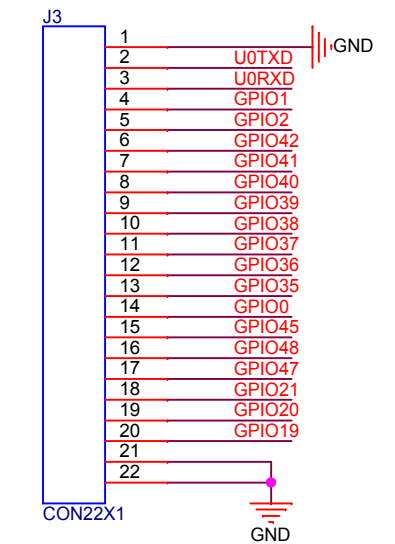
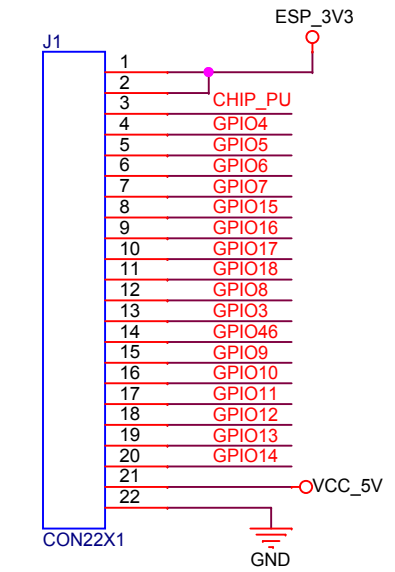
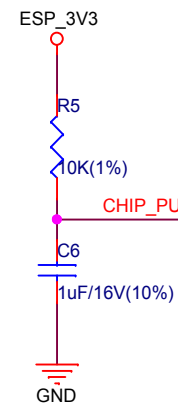
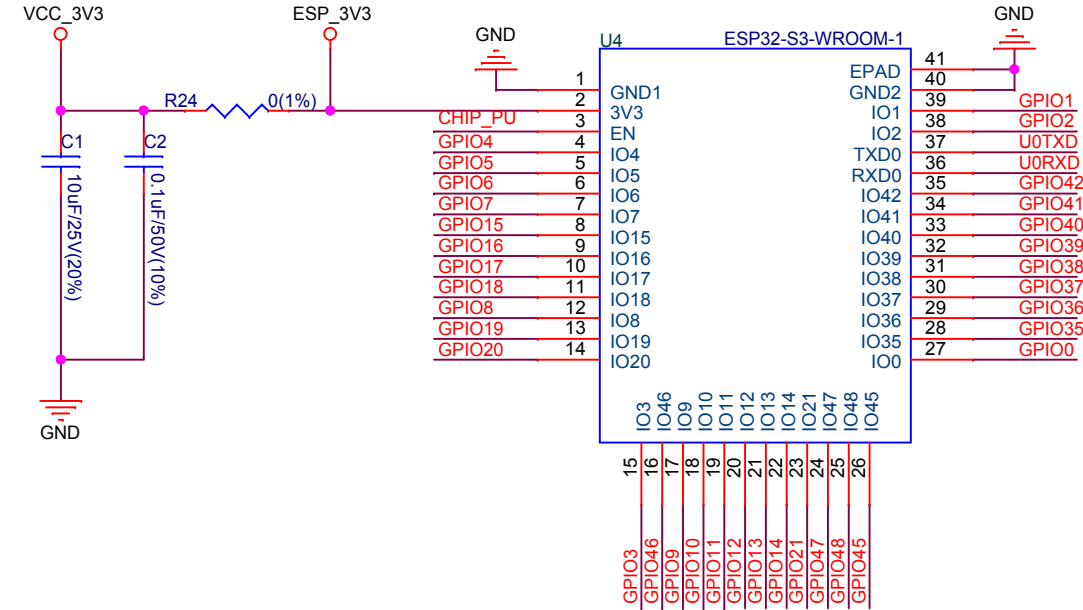
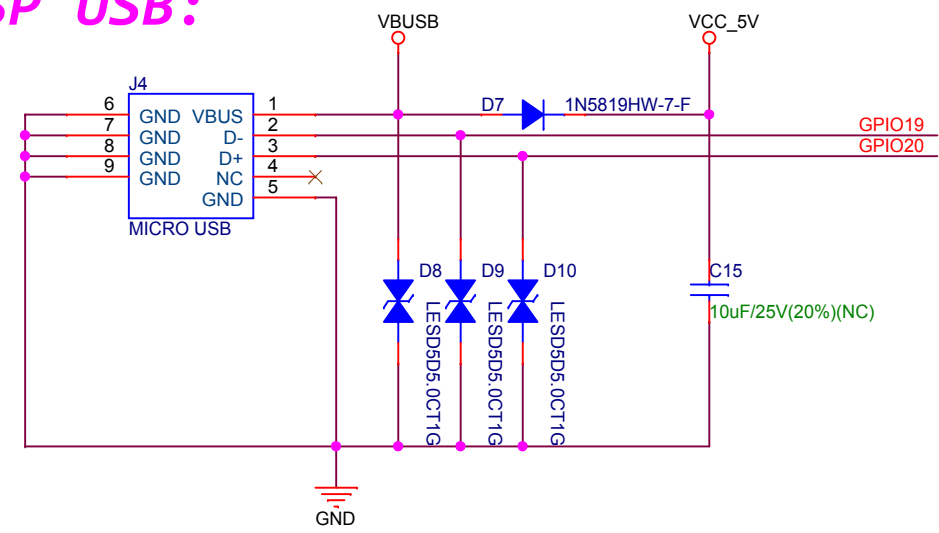
## System Block:



## USB to UART:

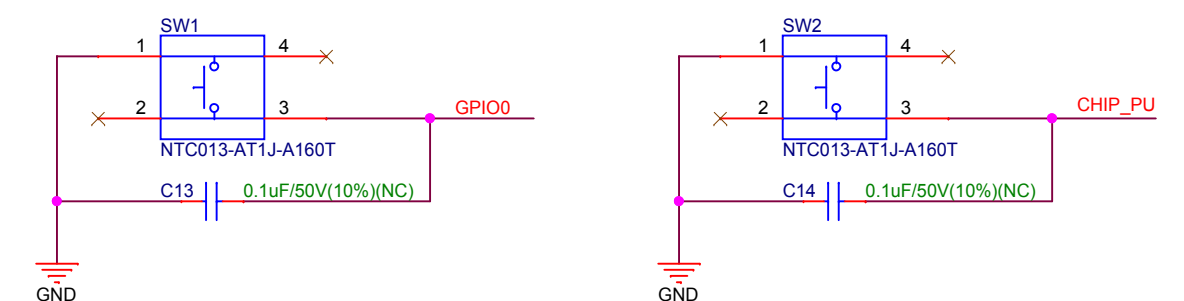
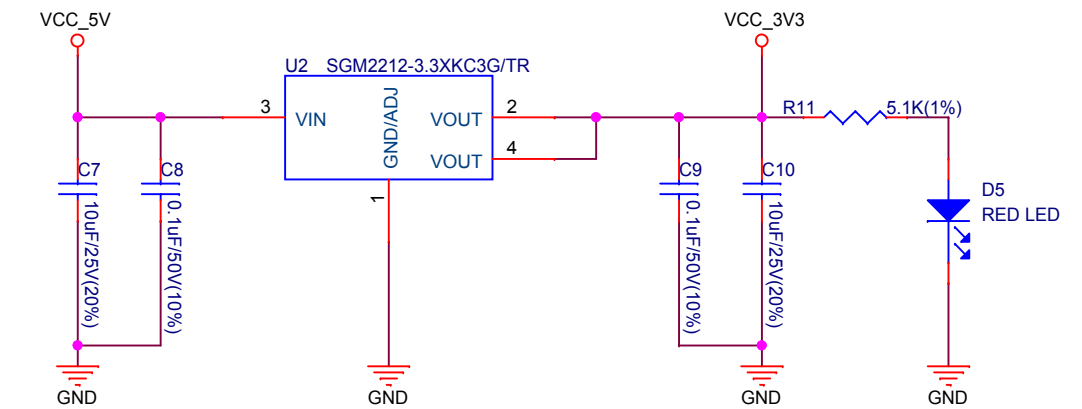
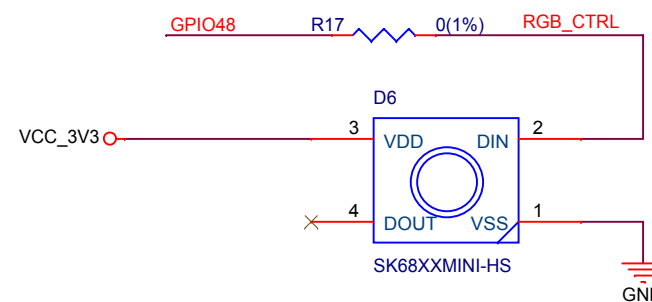


## ESP USB:



Auto program

DTR	RTS	EN	IO0	IO2
1	1	1	1	1
0	0	1	1	1
1	0	0	1	1
0	1	1	0	0



## ESPRESSIF

乐鑫信息科技(上海)股份有限公司

Title ESP32-S3-DevKitC-1

Size Document Number

C 02\_ESP32-S3-DevKitC-1

Date: Friday, March 12, 2021

Sheet 2 of 2

Rev V1.0